

THERMAL COMPOUNDS, ADHESIVES AND INTERFACE MATERIALS



173/174 SERIES
175 SERIES

DeltaPads™ Thermally Conductive Insulators
Greaseless Thermally Conductive Kapton® Reinforced Insulators

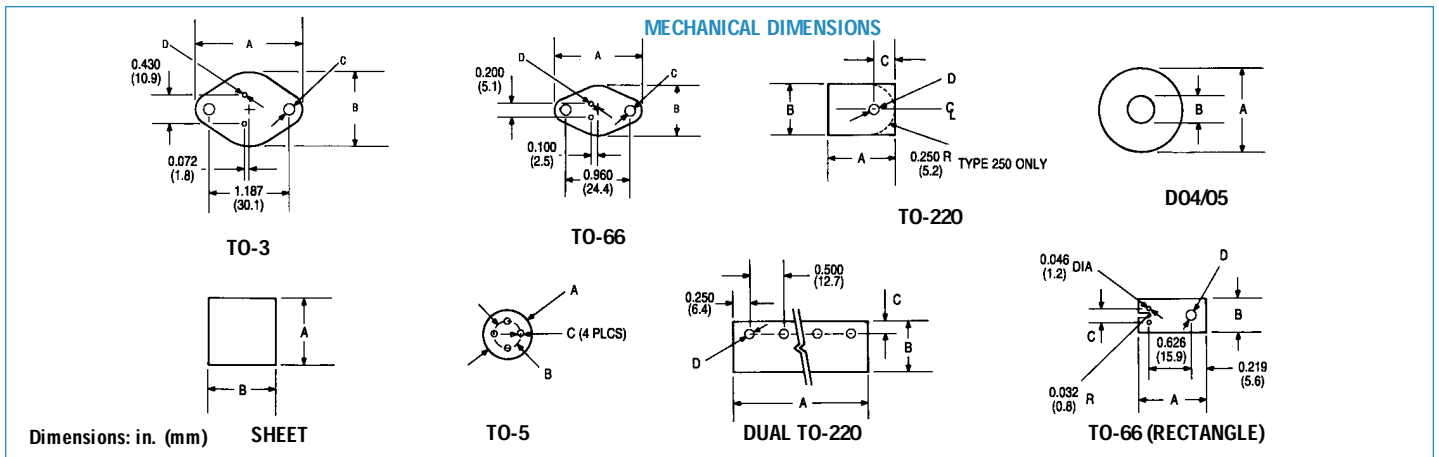
TO-3, TO-66, TO-220, DO-4, DO-5 SHEET

The 173, 174, and 175 Series are highly efficient thermally conductive insulators designed for semi-conductor interface to heat sinks. Their properties eliminate messy concerns associated with thermal greases.

| Characteristics | DeltaPads™ 173-7 Series | DeltaPads™ 173-9 Series | DeltaPads™ 174-9 Series | Kapton® 175-6 Series | Test Method |
|--|----------------------------|----------------------------|----------------------------|-------------------------|-------------|
| Material Thickness | 0.007 in. | 0.009 in. | 0.009 in. | 0.006 in. | Micrometer |
| Color | Gray | Gray | Tan | Gray | Visual |
| Tear Strength, lb/in. Typical | 100 | 100 | 100 | 100 | ASTM 0624 |
| Volume Resistivity, megohm-cm, Minimum Normal | 1.0 x 10e 9 | 1.0 x 10e 9 | 1.0 x 10e 13 | 1 x 10e 13 | ASTMD257 |
| Breakdown Voltage, Minimum | 4,000 | 5,000 | 5,000 | 6,000 | ASTM 0149 |
| Dielectric Constant at 60 Hz and 100 V Maximum | 2.70 | 2.40 | 2.50 | 5.5 @ 1,000 Hz | ASTMD 150 |
| Continuous Use Temperature, °C | -60/+200 | -60/+200 | -60/+200 | -60/+200 | - |
| Thermal Conductivity, cal/cm sec. °C, Minimum | 3 x 10e -3 | 3 x 10e -3 | 1 x 10e -2 | 1.2 x 10e -3 | - |
| Thermal Resistance (TO-3), 1 in. 2°C/W | 0.33 | 0.50 | 0.25 | 0.40 | - |
| Recommended Mounting Pressure, lb/in. 2 | 350/550 | 350/550 | 350/550 | 350/550 | Formula* |

$$*P \text{ (pressure in psi)} = \frac{T \text{ (torque [in.-lb]} \times N \text{ (number of fasteners)}}{0.2 \times D \text{ (Thread Dia)} \times A \text{ (contact surface area square inches)}}$$

| 173-7 Series | | 173-9 Series | 174-9 Series | 175-6 Series | Mechanical Dimensions in. (mm) | | | | |
|--------------|------------------|--------------|--------------|--------------|-----------------------------------|----------------|-------------|----------------|------------|
| No Adhesive | Adhesive Backing | No Adhesive | No Adhesive | Greaseless | A | B | C | D | Case Style |
| 173-7-210P | - | 173-9-210P | 174-9-210P | 175-6-210P | 0.687 (17.4) | 0.562 (14.3) | 0.218 (5.5) | 0.125 (3.2) | TO-220 |
| 173-7-220P▲ | - | 173-9-220P▲ | 174-9-220P | 175-6-220P | 0.710 (18.0) | 0.500 (12.7) | 0.160 (4.1) | 0.141 (3.6) | TO-220 |
| 173-7-230P | - | 173-9-230P | 174-9-230P | 175-6-230P | 0.750 (19.1) | 0.500 (12.7) | 0.187 (4.8) | 0.125 (3.2) | TO-220 |
| 173-7-240P | 173-7-240A | 173-9-240P | 174-9-240P | 175-6-240P▲ | 0.750 (19.1) | 0.500 (12.7) | 0.187 (4.8) | 0.147 (3.7) | TO-220 |
| 173-7-250P | - | 173-9-250P | 174-9-250P | 175-6-250P | 0.865 (22.0) | 0.650 (16.5) | 0.205 (5.2) | 0.140 (3.6) | TO-220 |
| - | - | - | - | 175-6-260P | 1.000 (25.4) | 0.750 (19.1) | 0.320 (8.1) | 0.141 (3.6) | TO-220 |
| - | - | 173-9-280P | - | 175-6-280P | 0.860 (21.8) | 0.740 (18.8) | 0.200 (5.1) | 0.160 (4.1) | TO-220 |
| 173-7-290P | - | 173-9-290P | - | - | 0.855 (21.7) | 0.630 (16.0) | 0.230 (5.8) | 0.093 (2.4) | TO-220 |
| 173-7-310P | - | 173-9-310P | 174-9-310P | 175-6-310P▲ | 1.593 (40.5) | 1.100 (27.9) | 0.156 (4.0) | 0.062 (1.6) | TO-3 |
| 173-7-320P | 173-7-320A | 173-9-320P | 174-9-320P | 175-6-320P | 1.650 (41.9) | 1.140 (29.0) | 0.122 (3.1) | 0.062 (1.6) | TO-3 |
| 173-7-330P | - | 173-9-330P | 174-9-330P | 175-6-330P | 1.650 (41.9) | 1.140 (29.0) | 0.140 (3.6) | 0.093 (3.4) | TO-3 |
| 173-7-340P | - | 173-9-340P | - | 175-6-340P | 1.780 (45.2) | 1.250 (31.8) | 0.140 (3.6) | 0.093 (3.4) | TO-3 |
| 173-7-350P | - | 173-9-350P | - | - | 1.563 (39.7) | 1.050 (26.7) | 0.140 (3.6) | 0.080 (2.0) | TO-3 |
| 173-7-410P | - | 173-9-410P | 174-9-410P | 175-6-410P | 0.625 (15.9)OD | 0.200 (5.1)ID | N/A | N/A | DO-4, DO-5 |
| 173-7-510P | - | 173-9-510P | 174-9-510P | 175-6-510P | 0.800 (20.3)OD | 0.260 (6.6)ID | N/A | N/A | DO-4, DO-5 |
| 173-7-520P | - | 173-9-520P | 174-9-520P | 175-6-520P | 1.000 (25.4)OD | 0.260 (6.6)ID | N/A | N/A | DO-4, DO-5 |
| 173-7-610P | - | 173-9-610P | 174-9-610P | 175-6-610P | 1.312 (33.3) | 0.762 (19.4) | 0.140 (3.6) | 0.062(1.6) | TO-66 |
| 173-7-710P | - | 173-9-710P | - | 175-6-710P | 0.360 (9.14)OD | 0.200 (5.1)ID | 0.040 (1.0) | - | TO-5 |
| - | - | 173-9-810P | - | 175-6-810P | 2.000 (50.8) | 0.750 (19.1) | 0.187 (4.3) | 0.125 (3.8)DIA | TO-220 |
| - | - | 173-9-820P | - | 175-6-820P | 4.000 (101.6) | 0.750 (19.1) | 0.187 (4.3) | 0.125 (3.8)DIA | TO-220 |
| - | - | 173-9-910P | - | - | 1.000 (25.4) | 0.500 (12.7) | 0.200 (5.1) | 0.141 (3.6) | TO-66 |
| 173-7-66P | 173-7-66A | 173-9-66P | 174-9-66P | 175-6-66P | 6.000 (152.4) | 6.000 (152.4) | N/A | N/A | SHEET |
| 173-7-1212P | 173-7-1212A | 173-9-1212P | 174-9-1212P | - | 12.000 (304.8) | 12.000 (304.8) | N/A | N/A | SHEET |
| - | - | - | - | 175-6-1311P | 13.000 (330.2) | 11.000 (279.4) | N/A | N/A | SHEET |



X-ON Electronics

Largest Supplier of Electrical and Electronic Components

Click to view similar products for [Thermal Interface Products](#) category:

Click to view products by [Wakefield](#) manufacturer:

Other Similar products are found below :

[7721-9PPS](#) [FGN80-2](#) [PFM-172-60](#) [A-40](#) [174-9-230P](#) [9601-7](#) [5300AC](#) [1.500G](#) [08133](#) [V6622C](#) [TVQF-1225-07S](#) [TP0001](#) [SC80-W2](#)
[A17713-06](#) [A17713-05](#) [A17653-20](#) [A17690-06](#) [A17775-03](#) [A17690-05](#) [A17653-02](#) [A17689-02](#) [A17690-04](#) [A17775-05](#) [A17775-06](#)
[A17690-08](#) [A17690-02](#) [A17689-06](#) [A17653-06](#) [A17690-12](#) [A17653-03](#) [A17689-03](#) [A17752-13](#) [A17752-04](#) [A17752-07](#) [A17634-12](#) [19-](#)
[36565-0001-1](#) [A17752-09](#) [22000-001A](#) [A17752-20](#) [A17752-16](#) [A17752-12](#) [A17653-04](#) [A17634-10](#) [A17634-07](#) [A17633-07](#) [A17633-03](#)
[A17156-02](#) [TA-1.75](#) [30195](#) [V6516A](#) [SPT400-12-13.5-25](#)