

FEATURES

- DESIGNED FOR HEAVY SHOCK AND VIBRATION.
- UNIFORM CLAMPING FORCE AND HIGH THERMAL TRANSFER.
- NARROW WIDTH FOR MAXIMUM PCB COMPONENT AREA.
- LOW PROFILE DESIGN ALLOWS FOR DECREASED SLOT PITCH.
- CAPTIVATED REAR WEDGE.
- LIGHT WEIGHT = ASSEMBLY LENGTH X .080 OZ [2.27 G] OR [.89 G/CM].
- SPECIAL LENGTHS, FINISH, AND OTHER DESIGN OPTIONS AVAILABLE UPON REQUEST.

MATERIAL

MOUNTING BAR: ALUMINUM 6063-T6.
WEDGES: ALUMINUM 6063-T6.
ALL OTHER HARDWARE: 18-8 STAINLESS STEEL, PASSIVATED.

PARTS ARE SHIPPED AS COMPLETE ASSEMBLY IN RELAXED STATE EXCEPT FOR RIVET MOUNT OPTION.

RECOMMENDED DRIVE SCREW TORQUE IS 6 IN-LBS [68 N-CM].

PROPRIETARY AND CONFIDENTIAL
THE INFORMATION CONTAINED IN THIS DRAWING IS THE SOLE PROPERTY OF WAKEFIELD-VETTE. ANY REPRODUCTION IN PART OR AS A WHOLE WITHOUT THE WRITTEN PERMISSION OF WAKEFIELD-VETTE IS PROHIBITED.
MATERIAL: SEE PART DETAILS
FINISH: SEE FINISH TABLE

UNLESS OTHERWISE SPECIFIED:
DIMENSIONS ARE IN INCHES
TOLERANCES:
MACHINED SURFACES $\sqrt{63}$
ANGULAR $\pm 1^\circ$
TWO PLACE DECIMAL $\pm .02$
THREE PLACE DECIMAL $\pm .005$
INTERPRET GEOMETRIC TOLERANCING PER: ASME Y-14.5M
DO NOT SCALE DRAWING

DRAWN	NAME	DATE
CHECKED	RSB	25 JAN 2013
APPR.		
THIRD ANGLE PROJECTION		
CAGE CODE	3E7UB	

TITLE: WEDGELock DATASHEET
.225 X .225 PROFILE

SIZE	DWG. NO.	REV
C	422C-DS	02/13
SCALE: NONE	SHEET 1 OF 2	

[LLL] LENGTH TABLE			
ASSY LENGTH [LLL]	[H] MTG X	[C] OPTION X/2	
480	2.900	1.450	
530	3.400	1.700	
580	3.900	1.950	
630	4.400	2.200	
680	4.900	2.450	
730	5.400	2.700	
780	5.900	2.950	

OTHER LENGTHS AVAILABLE UPON REQUEST

[H] MOUNTING TABLE	
DASH NO	DESCRIPTION
A	NO MOUNTING HOLES
R	$\phi .068 / .073$ THRU $\checkmark 100^\circ$ X $\phi .213$
T	#0-80 UNF-2B THREADS
S	#2-56 UNC-2B THREADS
U	M2 X .4-6H THREADS
M	M2.5 X .45-6H THREADS

[F] FINISH TABLE	
DASH NO	DESCRIPTION
A	NONE
C	CHEM FILM PER MIL-DTL-5541, CLASS 1A, TYPE I (CLEAR)
G	CHEM FILM PER MIL-DTL-5541, CLASS 1A, TYPE I (GOLD)
B	BLACK ANODIZE PER MIL-A-8625, TYPE II, CLASS 2
H	HARD BLACK ANODIZE PER MIL-A-8625, TYPE III, CLASS 2
N	NICKEL PLATE PER QQ-N-290, CLASS 1, GRADE G, BRIGHT
E	ELECTROLESS NICKEL PER MIL-C-26074, CLASS 4, GRADE B, BRIGHT
T	TRIVALENT CHEM FILM PER MIL-DTL-5541, CLASS 1A, TYPE II (CLEAR), RoHS COMPLIANT

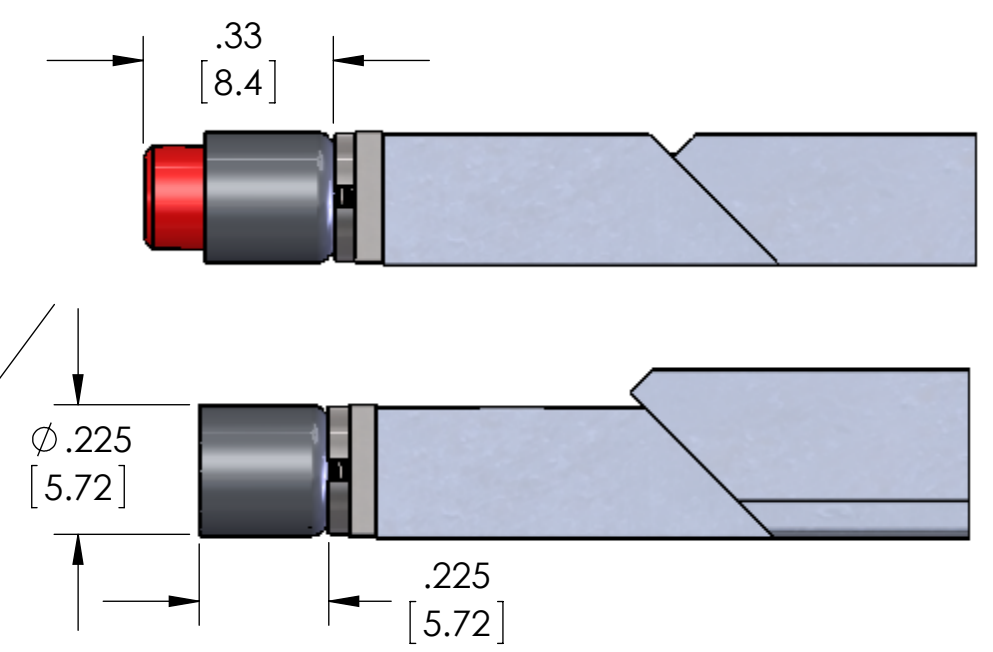
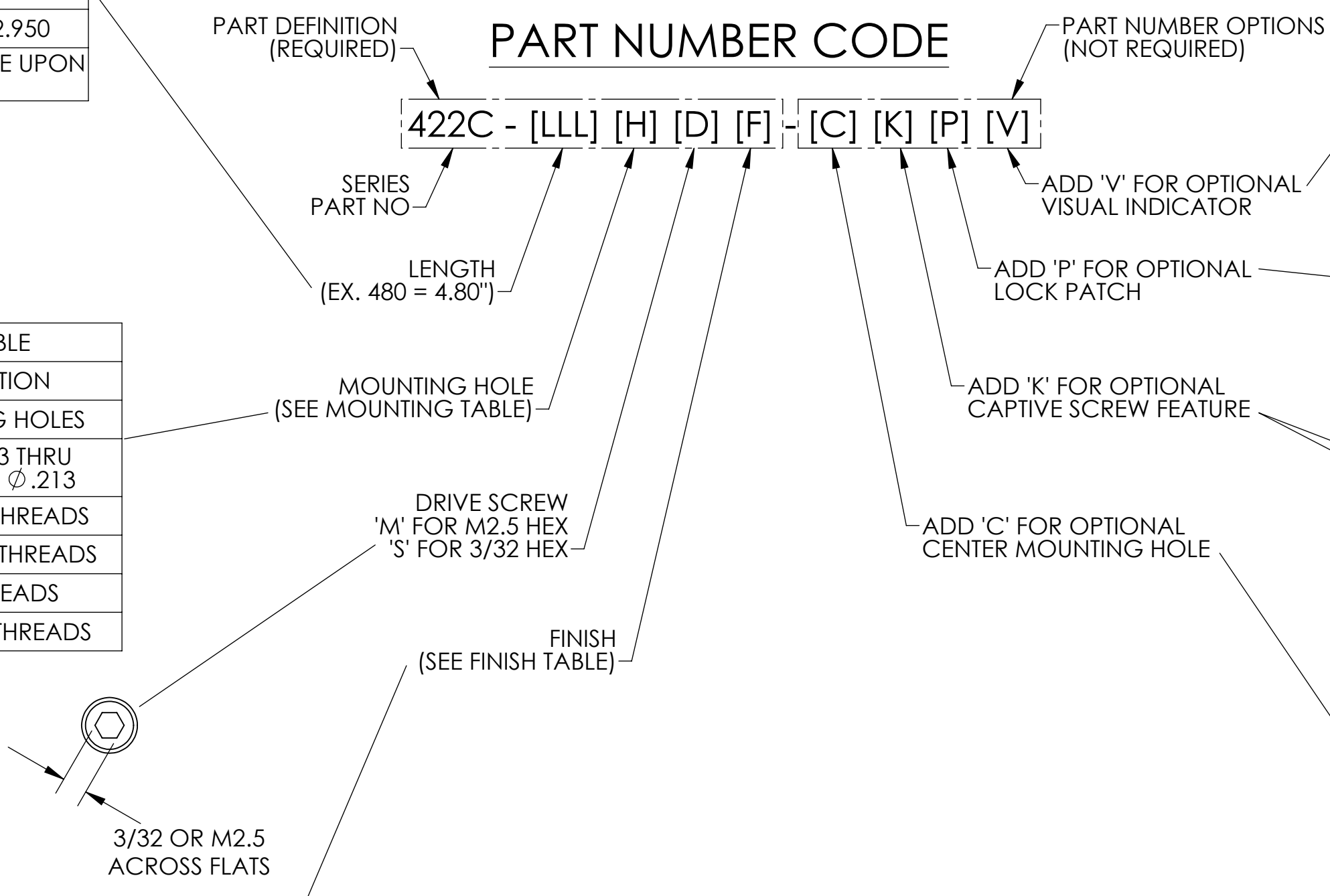
ALL THREADS ARE GAUGED PRIOR TO PLATING

PART#1 EXAMPLE: 422C-480UMG
4.80" LENGTH, M2 MOUNT HOLES, METRIC M2.5 SOCKET HEAD, GOLD CHEM FILM

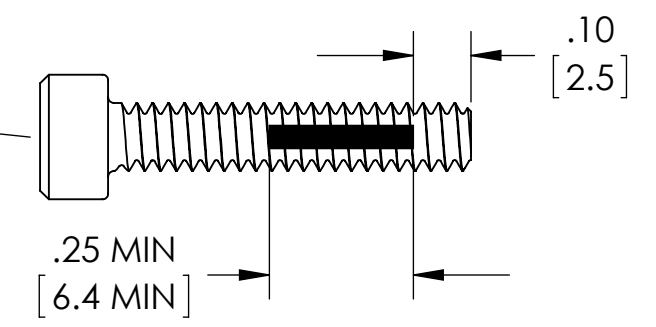
PART#2 EXAMPLE: 422C-480UMG-CP
SAME AS ABOVE PLUS CENTER MOUNTING HOLE AND LOCK PATCH OPTIONS

PART NUMBER CODE

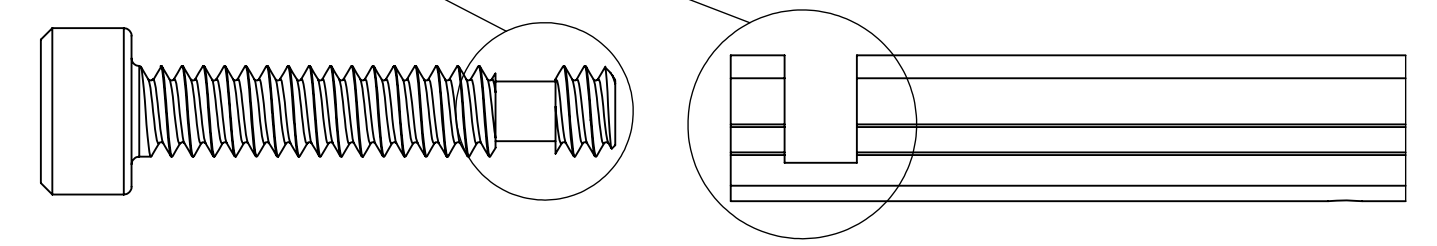
422C - [LLL] [H] [D] [F] - [C] [K] [P] [V]



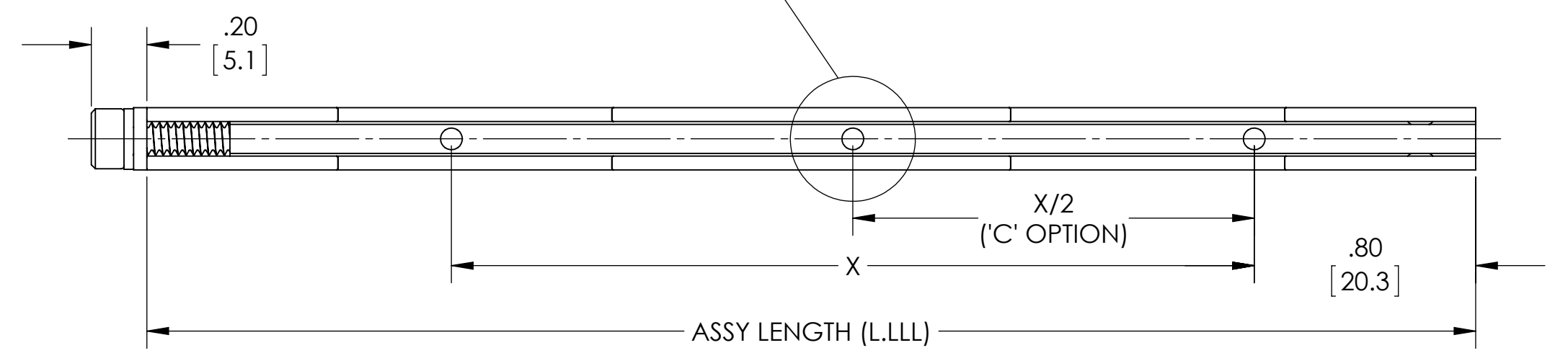
'V' OPTION
VISUALLY CONFIRMS LOCKED IN PLACE WHEN RED SCREW HEAD IS CONCEALED



'P' OPTION
NYLON PATCH PER MIL-F-18240 PROVIDES ADDITIONAL RESISTANCE TO SHOCK AND VIBRATION



'K' OPTION
CAPTIVATES SCREW BY FREE-SPINNING WHEN WEDGELock IS IN RELAXED POSITION



BOTTOM VIEW

X-ON Electronics

Largest Supplier of Electrical and Electronic Components

Click to view similar products for [Heat Sinks](#) category:

Click to view products by [Wakefield](#) manufacturer:

Other Similar products are found below :

[581102B00000G](#) [656-15ABPE](#) [657-20ABPNE](#) [7020B-TC12-MTG](#) [73452PPBA](#) [7G0011A](#) [PF720G](#) [A22-4026](#) [120-1873-007](#) [HAH10L](#)
[HAH15L](#) [1542616-1](#) [HS-2506-F1](#) [HS-87M0-F2](#) [218-40CTE3](#) [231-69PAB-15V](#) [25-7520](#) [SW50-4G](#) [231-75PAB-13V](#) [231-75PAB-15V](#) [253-](#)
[122ABE-22](#) [PSC22CB](#) [HAF10L](#) [HAQ10T](#) [D10100-28](#) [BDN183CBA01](#) [3-21053-4](#) [32438](#) [TX0506-1B](#) [TX1806B](#) [LAE66A3CB](#) [WA-DT2-](#)
[101E](#) [511-3U](#) [73381PPBA](#) [73403PPBA](#) [7G0047C](#) [COMX-440-HSP](#) [510-12M](#) [D10650-40T5](#) [V8511 Y](#) [APF40-40-13CB/A01](#)
[780653U04500G](#) [ATS-54310K-C2-R0](#) [FK 216 CB SA](#) [FK 231 SA 220](#) [648-51AB](#) [657-20ABPESC](#) [2341BG](#) [679-25AG](#) [FK 212 CB SA](#)