

**FEATURES**

- DESIGNED FOR HEAVY SHOCK AND VIBRATION.
- UNIFORM CLAMPING FORCE AND HIGH THERMAL TRANSFER.
- NARROW WIDTH FOR MAXIMUM PCB COMPONENT AREA.
- LIGHT WEIGHT = ASSEMBLY LENGTH X .104 OZ [2.95 G] OR [1.16 G/CM].
- SPECIAL LENGTHS, FINISH, AND OTHER DESIGN OPTIONS AVAILABLE UPON REQUEST.

**MATERIAL**  
 WEDGES: ALUMINUM 6061-T6.  
 ALIGNMENT SPRINGS: 301 STAINLESS STEEL, PASSIVATED.  
 ALL OTHER HARDWARE: 18-8 STAINLESS STEEL, PASSIVATED.

PARTS ARE SHIPPED AS COMPLETE ASSEMBLY IN RELAXED STATE EXCEPT FOR RIVET MOUNT OPTION.

RECOMMENDED DRIVE SCREW TORQUE IS 6 IN-LBS [68 N-CM].

<p><b>PROPRIETARY AND CONFIDENTIAL</b></p> <p>THE INFORMATION CONTAINED IN THIS DRAWING IS THE SOLE PROPERTY OF WAKEFIELD-VETTE. ANY REPRODUCTION IN PART OR AS A WHOLE WITHOUT THE WRITTEN PERMISSION OF WAKEFIELD-VETTE IS PROHIBITED.</p> <p>MATERIAL: SEE PART DETAILS</p> <p>FINISH: SEE FINISH TABLE</p>	<p>UNLESS OTHERWISE SPECIFIED:          DIMENSIONS ARE IN INCHES          TOLERANCES:</p> <p>MACHINED SURFACES <math>\sqrt{63}</math>          ANGULAR <math>\pm 1^\circ</math>          TWO PLACE DECIMAL <math>\pm .02</math>          THREE PLACE DECIMAL <math>\pm .005</math></p> <p>INTERPRET GEOMETRIC TOLERANCING PER: ASME Y-14.5M</p> <p>DO NOT SCALE DRAWING</p>	<table border="1"> <tr> <th>NAME</th> <th>DATE</th> </tr> <tr> <td>RSB</td> <td>6 FEB 2013</td> </tr> <tr> <th>CHECKED</th> <td></td> </tr> <tr> <th>APPR.</th> <td></td> </tr> </table>	NAME	DATE	RSB	6 FEB 2013	CHECKED		APPR.		<p><b>wakefield-vette</b></p>
	NAME	DATE									
	RSB	6 FEB 2013									
	CHECKED										
APPR.											
<p>THIRD ANGLE PROJECTION</p>	<p>TITLE:</p> <p><b>WEDGELock DATASHEET</b>  <b>.260 X .225 PROFILE</b></p>	<p>SIZE DWG. NO. REV</p> <p><b>C 426D-DS 02/13</b></p>	<p>SCALE: NONE</p> <p>SHEET 1 OF 2</p>								
<p>CAGE CODE</p> <p><b>3E7UB</b></p>	<p>SCALE: NONE</p>	<p>SCALE: NONE</p>	<p>SCALE: NONE</p>								
<p>SCALE: NONE</p>	<p>SCALE: NONE</p>	<p>SCALE: NONE</p>	<p>SCALE: NONE</p>								

[LLL] LENGTH TABLE		
ASSY LENGTH [LLL]	[H] MTG X	[C] OPTION X/2
480 - 749	.900	.450
750 - 849	1.900	.950
850 & UP	2.900	1.450

OTHER LENGTHS AVAILABLE UPON REQUEST

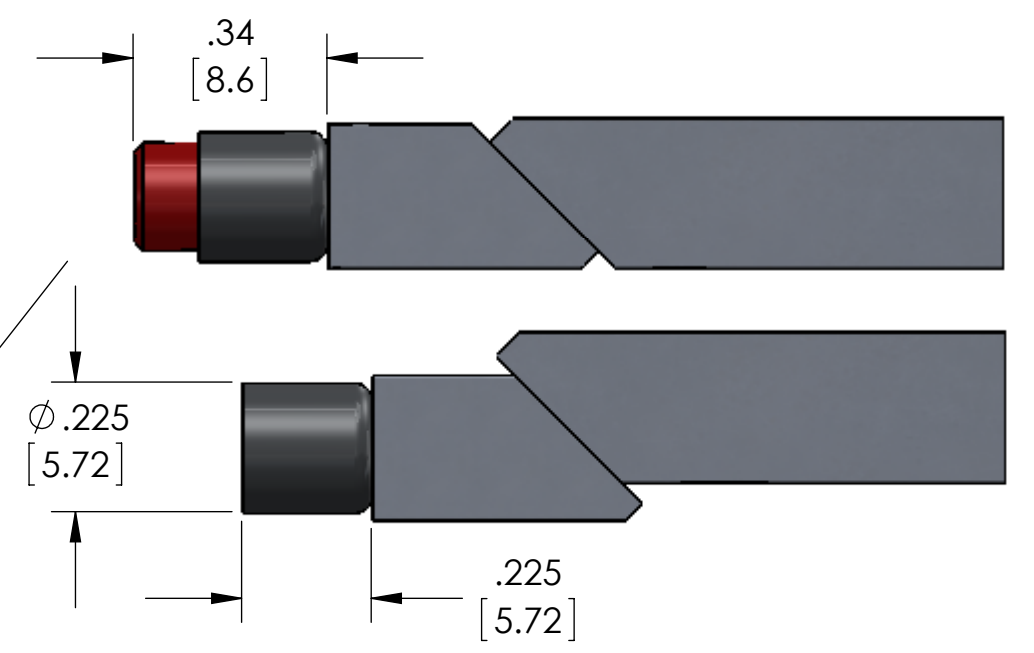
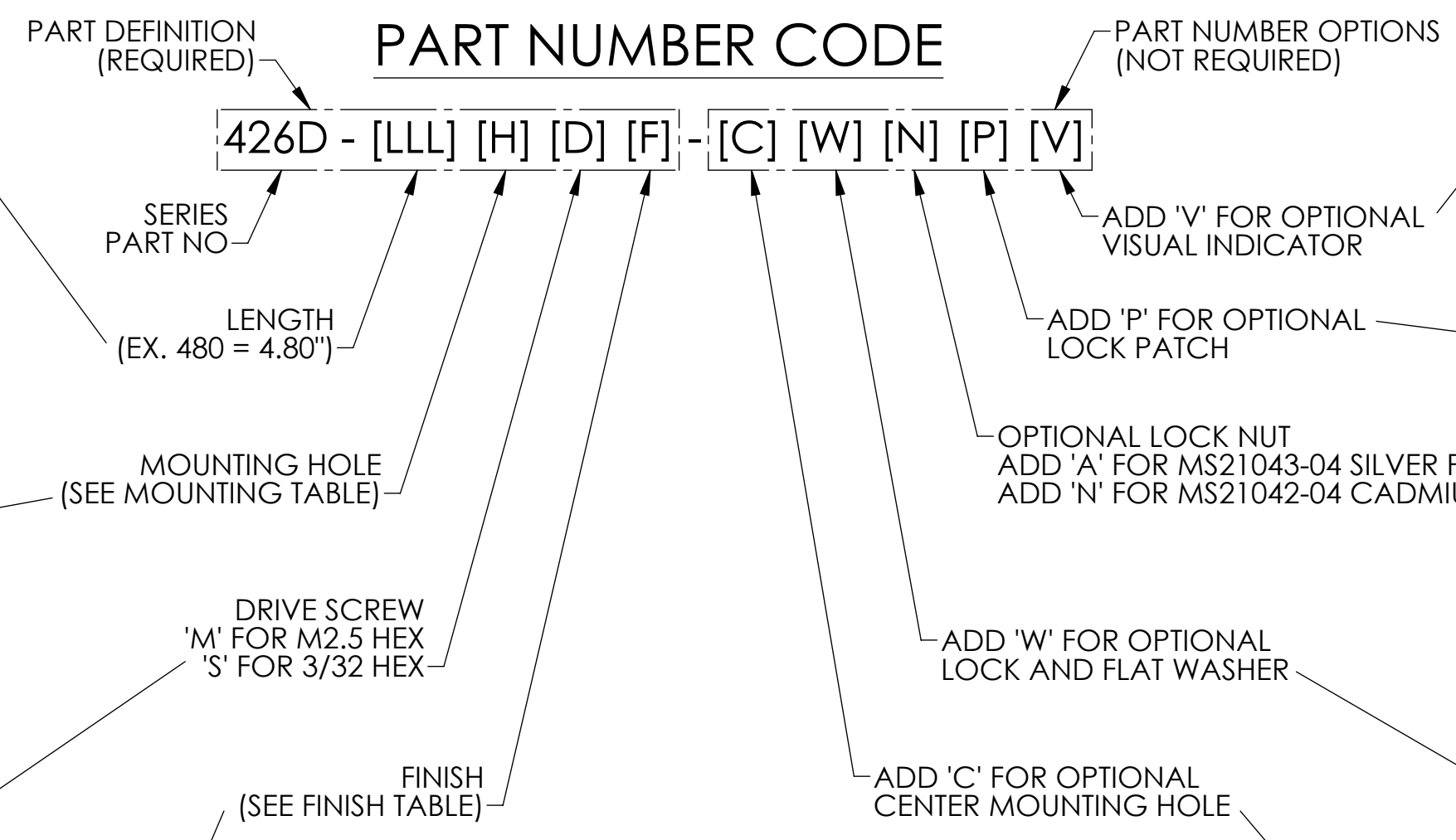
[H] MOUNTING TABLE	
DASH NO	DESCRIPTION
A	NO MOUNTING HOLES
R	$\phi .068 / .073$ THRU $\phi .156 \times \downarrow .20$ $100^\circ \times \phi .140$
T	#0-80 UNF-2B THREADS
S	#2-56 UNC-2B THREADS
U	M2 X .4-6H THREADS
M	M2.5 X .45-6H THREADS

[F] FINISH TABLE	
DASH NO	DESCRIPTION
A	NONE
C	CHEM FILM PER MIL-DTL-5541, CLASS 1A, TYPE I (CLEAR)
G	CHEM FILM PER MIL-DTL-5541, CLASS 1A, TYPE I (GOLD)
B	BLACK ANODIZE PER MIL-A-8625, TYPE II, CLASS 2
H	HARD BLACK ANODIZE PER MIL-A-8625, TYPE III, CLASS 2
N	NICKEL PLATE PER QQ-N-290, CLASS 1, GRADE G, BRIGHT
E	ELECTROLESS NICKEL PER MIL-C-26074, CLASS 4, GRADE B, BRIGHT
T	TRIVALENT CHEM FILM PER MIL-DTL-5541, CLASS 1A, TYPE II (CLEAR), RoHS COMPLIANT

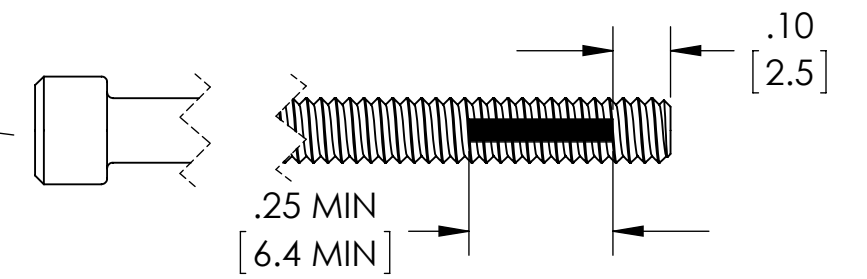
ALL THREADS ARE GAUGED PRIOR TO PLATING

**PART#1 EXAMPLE: 426D-480UMG**  
4.80" LENGTH, M2 MOUNT HOLES, METRIC M2.5 SOCKET HEAD, GOLD CHEM FILM

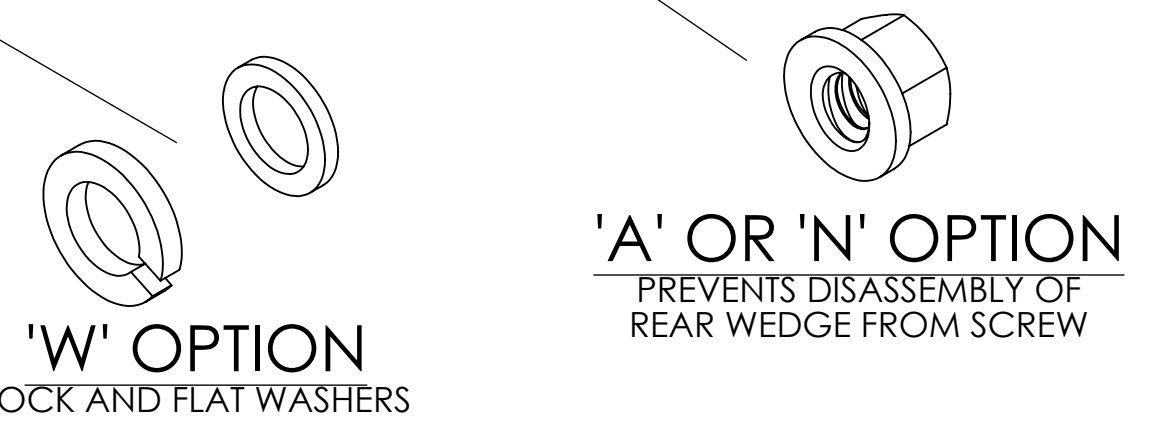
**PART#2 EXAMPLE: 426D-480UMG-CP**  
SAME AS ABOVE PLUS CENTER MOUNTING HOLE AND LOCK PATCH OPTIONS



**'V' OPTION**  
VISUALLY CONFIRMS LOCKED IN PLACE WHEN RED SCREW HEAD IS CONCEALED

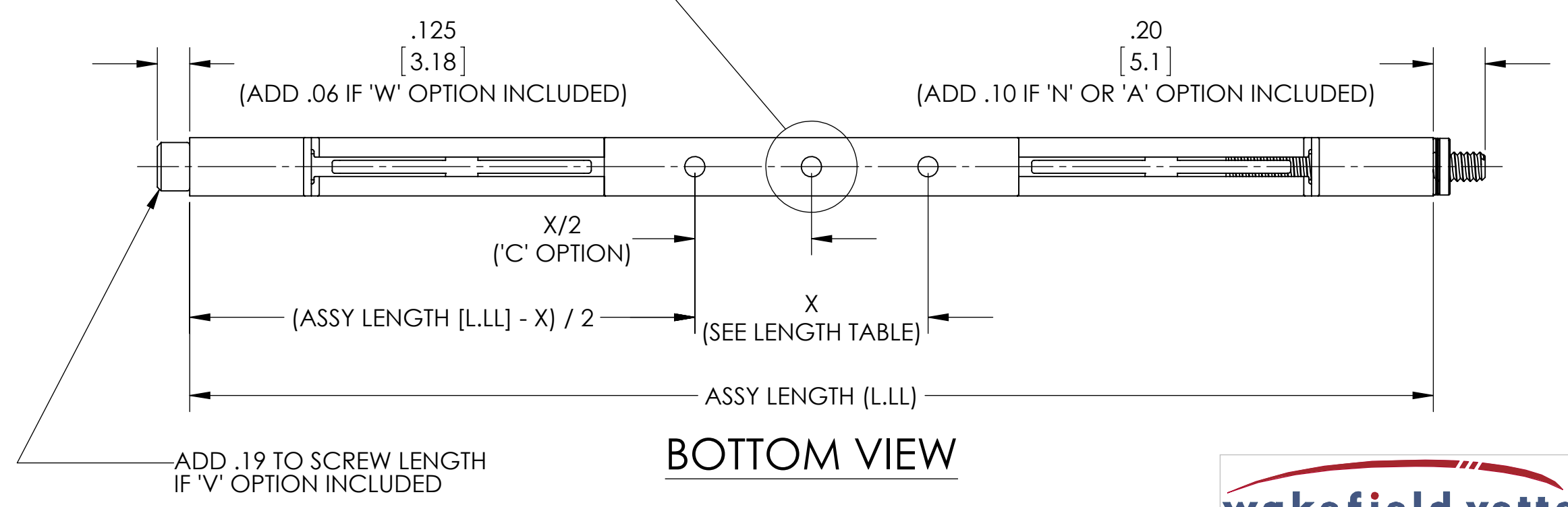


**'P' OPTION**  
NYLON PATCH PER MIL-F-18240 PROVIDES ADDITIONAL RESISTANCE TO SHOCK AND VIBRATION



**'W' OPTION**  
LOCK AND FLAT WASHERS

**'A' OR 'N' OPTION**  
PREVENTS DISASSEMBLY OF REAR WEDGE FROM SCREW



## X-ON Electronics

Largest Supplier of Electrical and Electronic Components

*Click to view similar products for [Heat Sinks](#) category:*

*Click to view products by [Wakefield](#) manufacturer:*

Other Similar products are found below :

[581102B00000G](#) [656-15ABPE](#) [657-20ABPNE](#) [7020B-TC12-MTG](#) [73452PPBA](#) [7G0011A](#) [PF720G](#) [A22-4026](#) [120-1873-007](#) [HAH10L](#)  
[HAH15L](#) [1542616-1](#) [HS-2506-F1](#) [HS-87M0-F2](#) [218-40CTE3](#) [231-69PAB-15V](#) [25-7520](#) [SW50-4G](#) [231-75PAB-13V](#) [231-75PAB-15V](#) [253-](#)  
[122ABE-22](#) [PSC22CB](#) [HAF10L](#) [HAQ10T](#) [D10100-28](#) [BDN183CBA01](#) [3-21053-4](#) [32438](#) [TX0506-1B](#) [TX1806B](#) [LAE66A3CB](#) [WA-DT2-](#)  
[101E](#) [511-3U](#) [73381PPBA](#) [73403PPBA](#) [7G0047C](#) [COMX-440-HSP](#) [510-12M](#) [D10650-40T5](#) [V8511 Y](#) [APF40-40-13CB/A01](#)  
[780653U04500G](#) [ATS-54310K-C2-R0](#) [FK 216 CB SA](#) [FK 231 SA 220](#) [648-51AB](#) [657-20ABPESC](#) [2341BG](#) [679-25AG](#) [FK 212 CB SA](#)