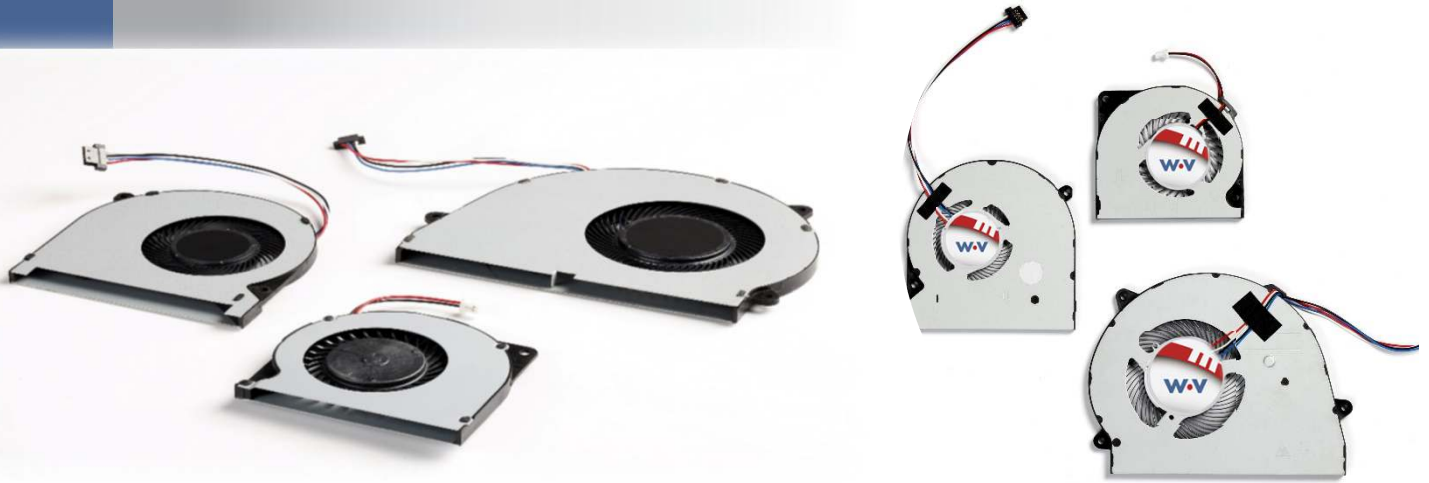




SLIM-LINE BLOWERS

Wakefield-Vette's unique slim and powerful DC blowers are perfect for ultra-thin cooling applications, where cooling is a must. The Slim-Line blower features an ultra-thin blade design resulting in excellent performance & sound quality.

SLIM-LINE BLOWERS



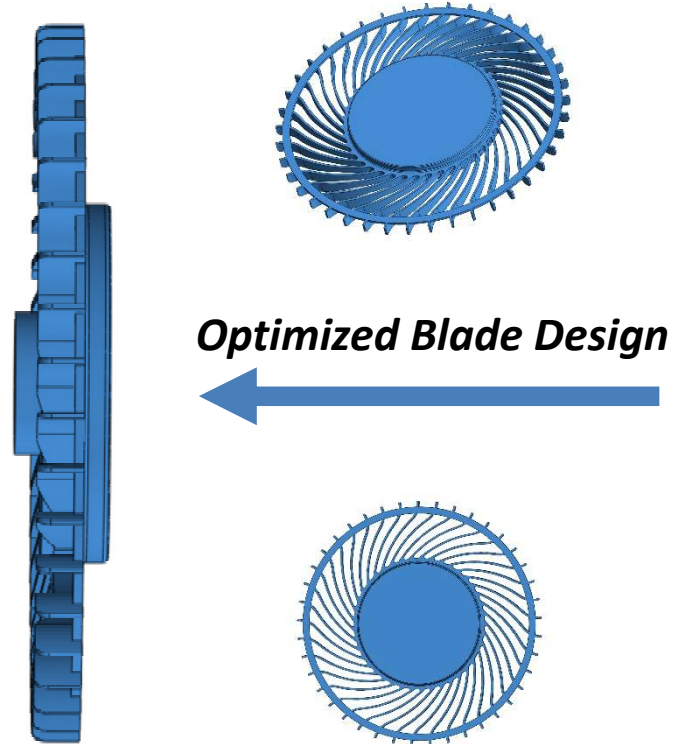
The Slim-Line Blower three-phase motor design provides exceptional balancing characteristics and low power consumption. Designed for tablets, notebooks, automotive, gaming monitors, all in one PC's, or any other low-profile application, these powerful, ultra-thin, direct-diverting blowers can be as thin as 3.2mm

Options:

- IP-55 water protection rating
- Pulse width modulation control (PWM)
- Frequency generator output (FG signal/tach)
- Custom sizes and performances

Features & Benefits:

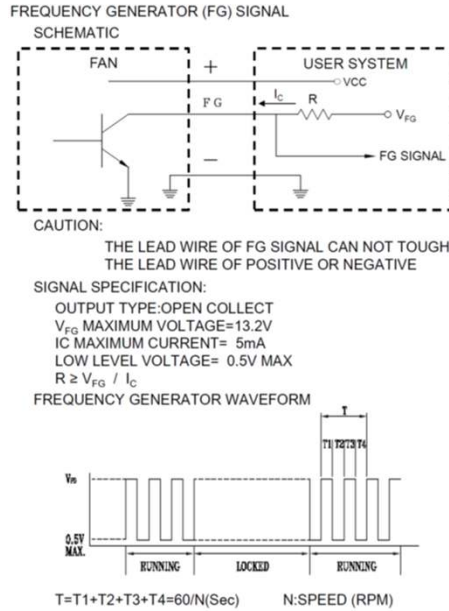
- Sizes include:
 - Ultra Thin- as low as 3mm up to 10mm
 - Various Footprints
 - Custom sizes available Upon Request
- Operating temperature- -10°C to +70°C
- Long life- Rated 50,000 hours @ 40 °C
- Fluid Bearing (AFB)
- Three-phase motor
- Optimized blade design
- Ultra-quiet (as low as 21db)
- Suitable for automotive applications



WKV PN	Fan Size (mm)	Description	Voltage (VDC)	Air Flow (CFM)	Static Pressure (mm)	Noise	Power (Watts)	RPM	Termination
DB1703	17*17*3.2	ULTRA THIN DC BLOWER 17X17X3.2MM 3V .204CFM	3	0.20	3.78	26.6dB(A)	0.12	12000	3 Wire, No Connector
DB2003	20*20*3.2	ULTRA THIN DC BLOWER 20X20X3.2MM 3V .34CFM	3	0.34	4.66	26.9dB(A)	0.24	11000	3 Wire, No Connector
DB03003	30*30*3.2	ULTRA THIN DC BLOWER 30X30X3.2MM 5V .69CFM PWM	5	0.70	8.37	34.1dB(A)	0.50	9500	4 Wire, PWM No Connector
DB03004	30*30*4.0	ULTRA THIN DC BLOWER 30X30X4MM 5V .76CFM	5	0.76	8.80	31.3dB(A)	0.50	9500	2 Wire, No Connector
DB03010	30*30*10	ULTRA THIN DC BLOWER 30X30X10MM 5V 1.09CFM	5	1.09	5.61	28dB(A)	1.10	7000	2 Wire, No Connector
DB05505	55*50*5.25	ULTRA THIN DC BLOWER 55X55X5.25MM 5V 1.27CFM	5	1.27	3.79	21.2dB(A)	0.70	3100	2 Wire, No Connector
DB05905	59.3*55.6*5.6	ULTRA THIN DC BLOWER 59.3X55.6X5.6MM 5V 3.25CFM	5	3.25	17.08	41.1dB(A)	1.90	6700	4 Wire, PWM No Connector
DB06304	63*63*4	ULTRA THIN DC BLOWER 63X63X4MM 5V 2.15CFM	5	2.15	12.84	35.4dB(A)	1.75	5700	4 Wire, PWM No Connector
DB06205	61.8*57.3*5.6	ULTRA THIN DC BLOWER 61.8X57.3X5.6MM 5V 2.68CFM	5	2.68	19.90	42.8dB(A)	1.90	7400	4 Wire, PWM No Connector
DB08904	89.1*83.8*4.7	ULTRA THIN DC BLOWER 89.1X83.8X4.7MM 5V 3.91CFM	5	3.91	11.40	38.5dB(A)	1.50	3400	4 Wire, PWM No Connector
DB08705	87*74.5*5	ULTRA THIN DC BLOWER 87X74.5X5MM 5V 4.63CFM	5	4.63	14.52	40.9dB(A)	2.25	4500	4 Wire, PWM No Connector
DB08706	87*74.5*5.5	ULTRA THIN DC BLOWER 87X74.5X5.5MM 12V 5.70CFM	5	5.70	15.87	41.85dB(A)	2.25	4600	4 Wire, PWM No Connector

Tach/PWM Configurations

- 3 – Tach



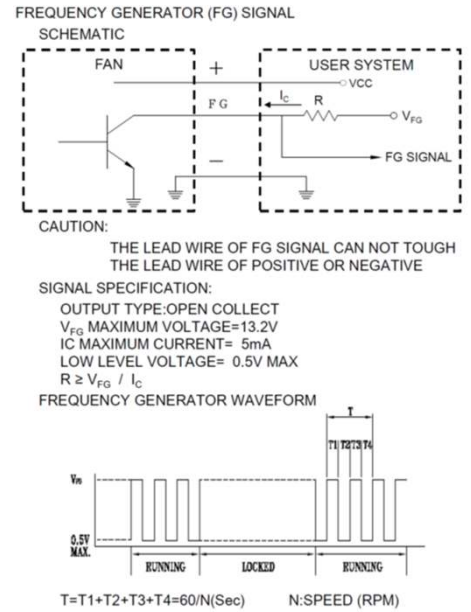
- B – PWM + Tach

PWM CONTROL
SIGNAL DESCRIPTION

- CONTROL SIGNAL: PWM CONTROL
- SIGNAL TYPE:
INPUT HIGH LEVEL VOLTAGE: MIN. >2.6V , MAX. <5V
INPUT LOW LEVEL VOLTAGE: MAX. <0.5V
- PWM FREQUENCY RANGE: 20K~100KHZ
- MAX. SINK CURRENT: 8mA

FAN SPEED CONTROL

- INPUT VOLTAGE: 5 VDC
- PWM FREQUENCY : 25 KHZ
- THE FAN SPEED SHOULD RUN AT FULL SPEED GIVEN PWM 100% DUTY CYCLE INPUT.
- THE FAN SPEED SHOULD RUN AT ZERO SPEED GIVEN BELOW PWM 0 % DUTY CYCLE INPUT.
- THE FAN WILL GO TO FULL SPEED WHEN IF THE CONTROL SIGNAL IS DISCONNECTED.



DB1703

WKV PN	Fan Size (mm)	Description	Voltage (VDC)	Air Flow (CFM)	Static Pressure (mm)	Noise	Power (Watts)	RPM	Termination	Weight (g)
DB170303H1A-3T0	17*17*3.2	ULTRA THIN DC BLOWER 17X17X3.2MM 3V .204CFM	3	0.20	3.78	26.6dB(A)	0.12	12000	3 Wire, No Connector	1.5

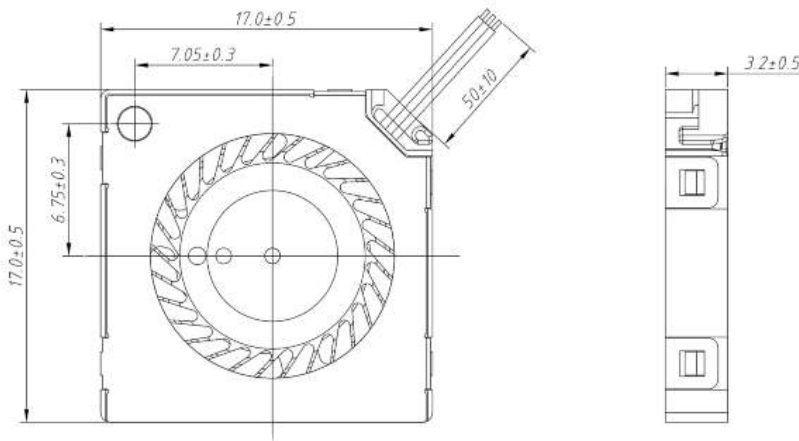
Description: DC Fan with :

Lead Wire: UL3302 , AWG#32 , 50±10 mm lead length

RED WIRE----- (+)

BLACK WIRE----- (-)

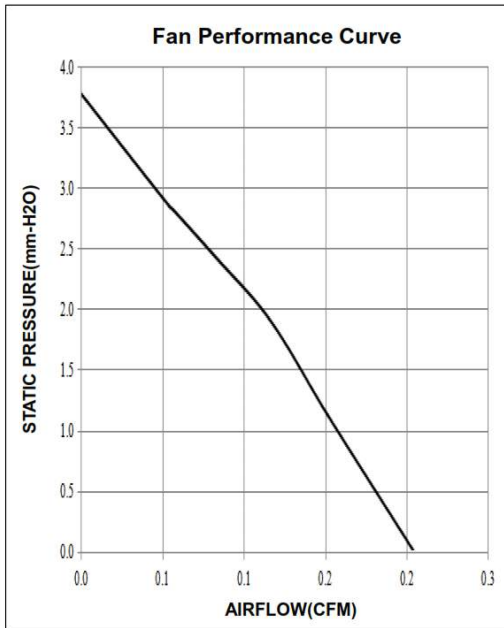
YELLOW WIRE----- (FG)



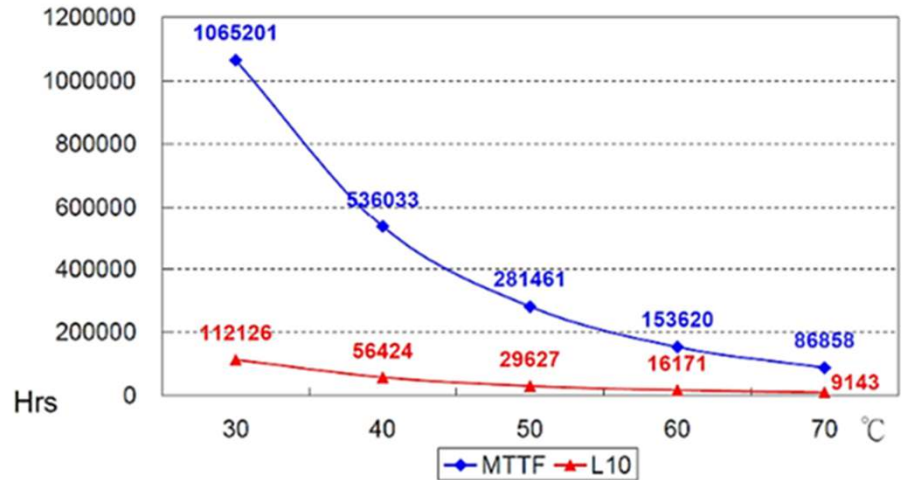
FEATURES

<input checked="" type="checkbox"/>	FG SIGNAL	<input type="checkbox"/>	IP-55 RATED
<input type="checkbox"/>	RD SIGNAL	<input type="checkbox"/>	HIGH TEMP RATED
<input type="checkbox"/>	PWM		

DIMENSIONS	: 17 X 17 X 3.2 mm
BEARING TYPE	: AFB
MOTOR PROTECTION	: BY IC
RATED VOLTAGE	: 3.0 VDC
OPERATING VOLTAGE RANGE	: 2.2 ~ 3.5 VDC
START-UP VOLTAGE	: 2.2 VDC , POWER ON/OFF
REAL CURRENT	: 0.04 Amp
REAL POWER	: 0.12 Watt
RATED CURRENT	: 0.06 Amp +10% MAX
RATED POWER	: 0.18 Watt
RATED SPEED	: 12000 RPM ± 15 %
	(IN FREE AIR AT RATED VOLTAGE)
AIR FLOW	: 0.204 CFM (min. 0.173 CFM)
AIR FLOW	: 0.005 CMM (min. 0.004 CMM)
	(IN FREE AIR AT RATED VOLTAGE)
STATIC AIR PRESSURE	: 0.148 InH ₂ O (min. 0.106 InH ₂ O)
STATIC AIR PRESSURE	: 3.78 mmH ₂ O (min. 2.731 mmH ₂ O)
	(IN FREE AIR AT RATED VOLTAGE)
NOISE LEVEL (0.3M)	: 26.6 dB(A) (MAX.: 29.6 dB(A))
LIFE EXPECTANCY	: 50000 Hours at 40°C / 65% RH
NET WEIGHT	: 1.5 Gram



MTTF & L10 Curve

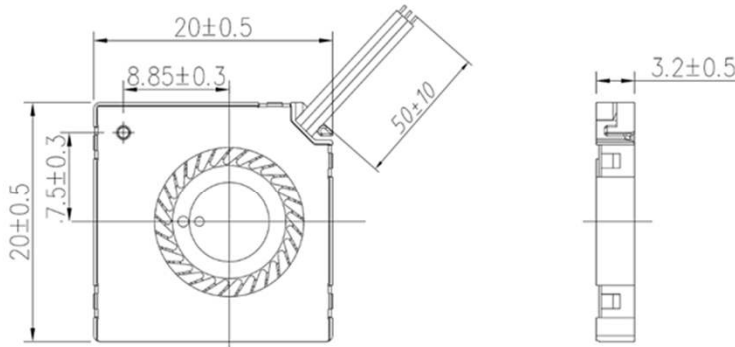


DB2003

WKV PN	Fan Size (mm)	Description	Voltage (VDC)	Air Flow (CFM)	Static Pressure (mm)	Noise	Power (Watts)	RPM	Termination	Weight (g)
DB200303H1A-3T0	20*20*3.2	ULTRA THIN DC BLOWER 20X20X3.2MM 3V .34CFM	3	0.34	4.66	26.9dB(A)	0.24	11000	3 Wire, No Connector	1.5

Description: DC Fan with :

Lead Wire: UL3302 , AWG#32 , 50±10 mm lead length
 RED WIRE----- (+)
 BLACK WIRE----- (-)
 YELLOW WIRE----- (FG)

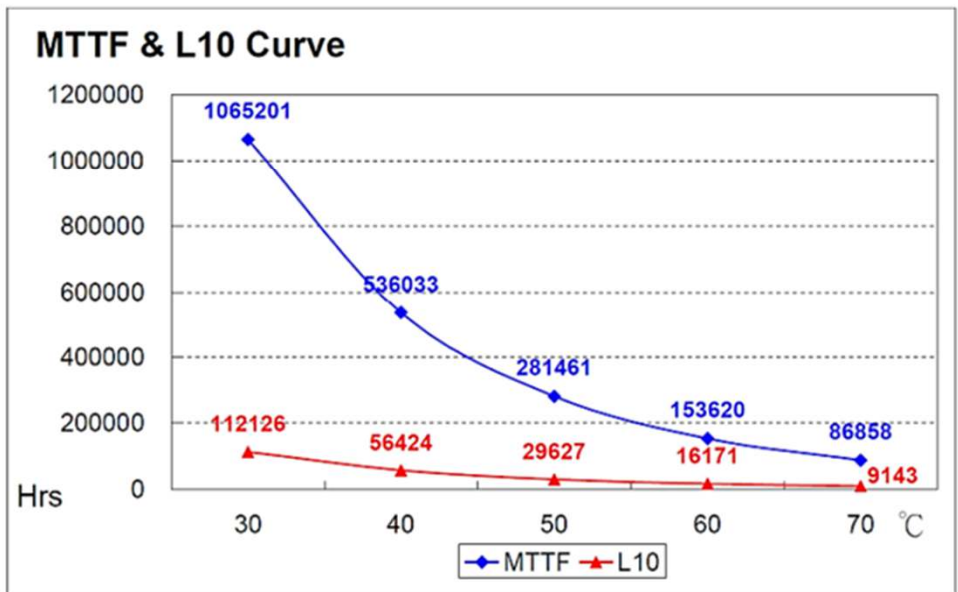
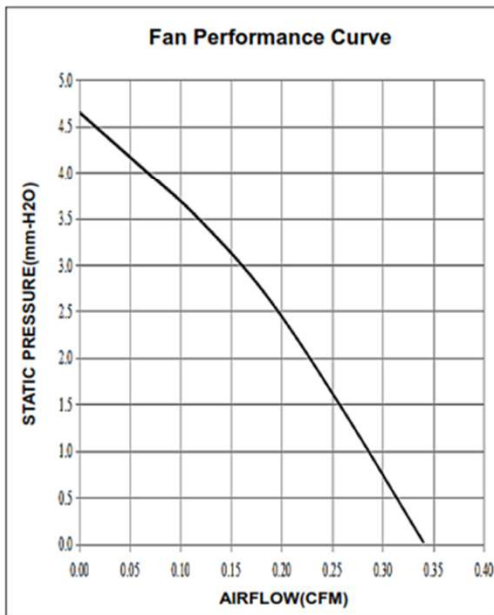


FEATURES

<input checked="" type="checkbox"/> V	FG SIGNAL	<input type="checkbox"/>	IP-55 RATED
<input type="checkbox"/>	RD SIGNAL	<input type="checkbox"/>	HIGH TEMP RATED
<input type="checkbox"/>	PWM		

DIMENSIONS

DIMENSIONS	: 20 X 20 X 3.2 mm
BEARING TYPE	: AFB
MOTOR PROTECTION	: BY IC
RATED VOLTAGE	: 3.0 VDC
OPERATING VOLTAGE RANGE	: 2.2 ~ 3.5 VDC
START-UP VOLTAGE	: 2.2 VDC , POWER ON/OFF
REAL CURRENT	: 0.08 Amp
REAL POWER	: 0.24 Watt
RATED CURRENT	: 0.12 Amp +10% MAX
RATED POWER	: 0.36 Watt
RATED SPEED	: 11000 RPM ± 15 % (IN FREE AIR AT RATED VOLTAGE)
AIR FLOW	: 0.340 CFM (min. 0.289 CFM)
AIR FLOW	: 0.009 CMM (min. 0.007 CMM) (IN FREE AIR AT RATED VOLTAGE)
STATIC AIR PRESSURE	: 0.183 InH ₂ O (min. 0.132 InH ₂ O)
STATIC AIR PRESSURE	: 4.660 mmH ₂ O (min. 3.366 mmH ₂ O) (IN FREE AIR AT RATED VOLTAGE)
NOISE LEVEL (0.3M)	: 26.9 dB(A) (MAX.: 29.9 dB(A))
LIFE EXPECTANCY	: 50000 Hours at 40°C / 65% RH
NET WEIGHT	: 1.5 Gram



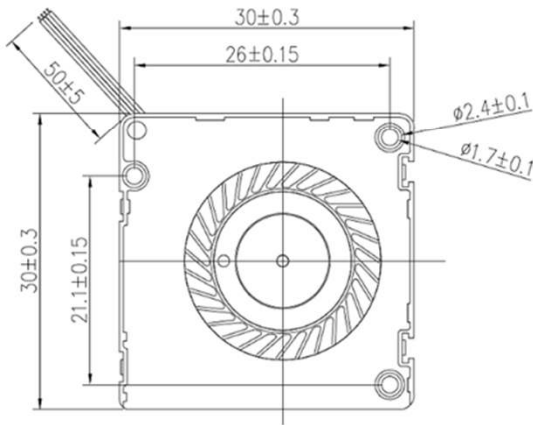
DB03003

WKV PN	Fan Size (mm)	Description	Voltage (VDC)	Air Flow (CFM)	Static Pressure (mm)	Noise	Power (Watts)	RPM	Termination	Weight (g)
DB0300305H1A-BT0	30*30*3.2	ULTRA THIN DC BLOWER 30X30X3.2MM 5V .69CFM PWM	5	0.70	8.37	34.1dB(A)	0.5	9500	4 Wire, PWM No Connector	5.1

Description: DC Fan with :

Lead Wire: UL3302 , AWG#32 , 50±5 mm lead length

- BLACK WIRE ----- (-)
- BLUE WIRE ----- (PWM)
- YELLOW WIRE ----- (FG)
- RED WIRE ----- (+)



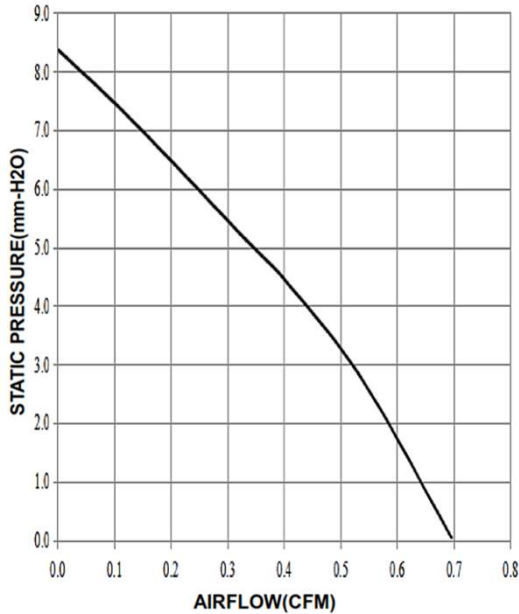
FEATURES

- FG SIGNAL
- RD SIGNAL
- PWM
- IP-55 RATED
- HIGH TEMP RATED

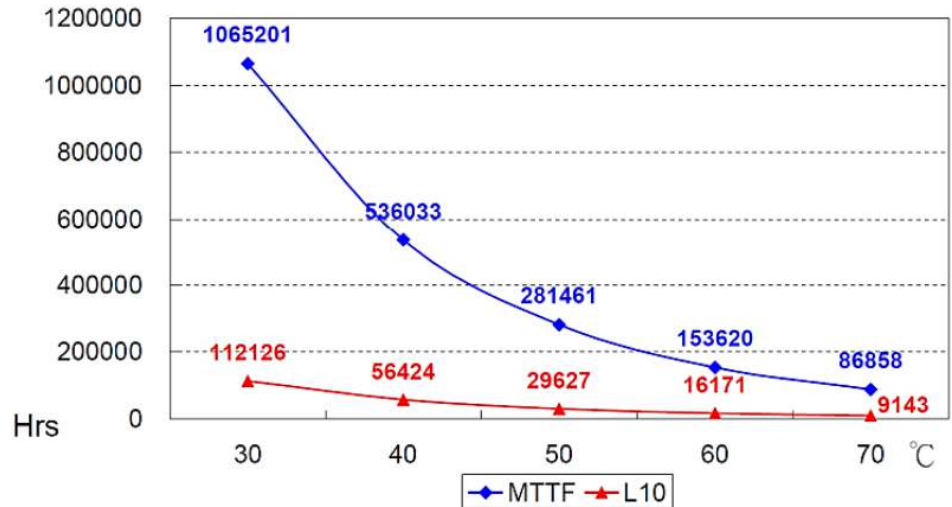
DIMENSIONS

- DIMENSIONS** : 30 X 30 X 3.2 mm
- BEARING TYPE** : AFB
- MOTOR PROTECTION** : BY IC
- RATED VOLTAGE** : 5.0 VDC
- OPERATING VOLTAGE RANGE** : 3.5 ~ 5.5 VDC
- START-UP VOLTAGE** : 3.5 VDC , POWER ON/OFF
- REAL CURRENT** : 0.10 Amp
- REAL POWER** : 0.50 Watt
- RATED CURRENT** : 0.30 Amp +10% MAX (Duty cycle 100%)
- RATED POWER** : 1.50 Watt (Duty cycle 100%)
- RATED SPEED** : 9500 RPM ± 15 % (Duty cycle 100%)
- (IN FREE AIR AT RATED VOLTAGE)
- AIR FLOW** : 0.696 CFM (min. 0.591 CFM)
- AIR FLOW** : 0.019 CMM (min. 0.016 CMM)
- (IN FREE AIR AT RATED VOLTAGE)
- STATIC AIR PRESSURE** : 0.329 InH₂O (min. 0.237 InH₂O)
- STATIC AIR PRESSURE** : 8.37 mmH₂O (min. 6.047 mmH₂O)
- (IN FREE AIR AT RATED VOLTAGE)
- NOISE LEVEL (0.3M)** : 34.1 dB(A) (MAX.: 37.1 dB(A))
- LIFE EXPECTANCY** : 50000 Hours at 40°C / 65% RH
- NET WEIGHT** : 5.1 Gram

Fan Performance Curve



MTTF & L10 Curve



SLIM-LINE BLOWERS

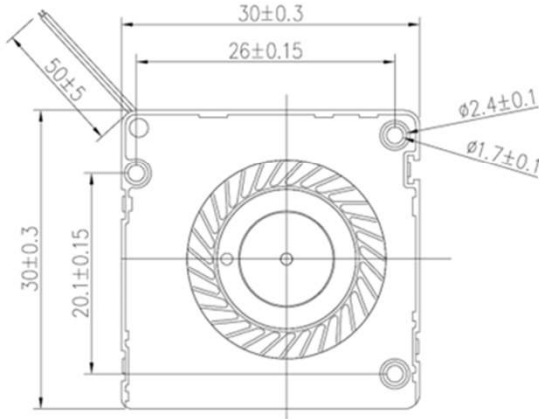


DB03004

WKV PN	Fan Size (mm)	Description	Voltage (VDC)	Air Flow (CFM)	Static Pressure (mm)	Noise	Power (Watts)	RPM	Termination	Weight (g)
DB0300405H1A-2T0	30*30*4.0	ULTRA THIN DC BLOWER 30X30X4MM 5V .76CFM	5	0.76	8.80	31.3dB(A)	0.5	9500	2 Wire, No Connector	5

Description: DC Fan with :

Lead Wire: UL3302 , AWG#32 , 50±5 mm lead length
 RED WIRE ----- (+)
 BLACK WIRE ----- (-)



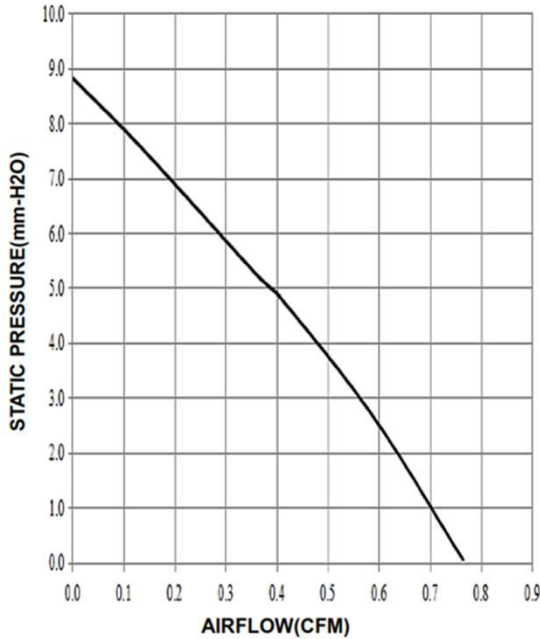
FEATURES

- FG SIGNAL
- RD SIGNAL
- PWM
- IP-55 RATED
- HIGH TEMP RATED

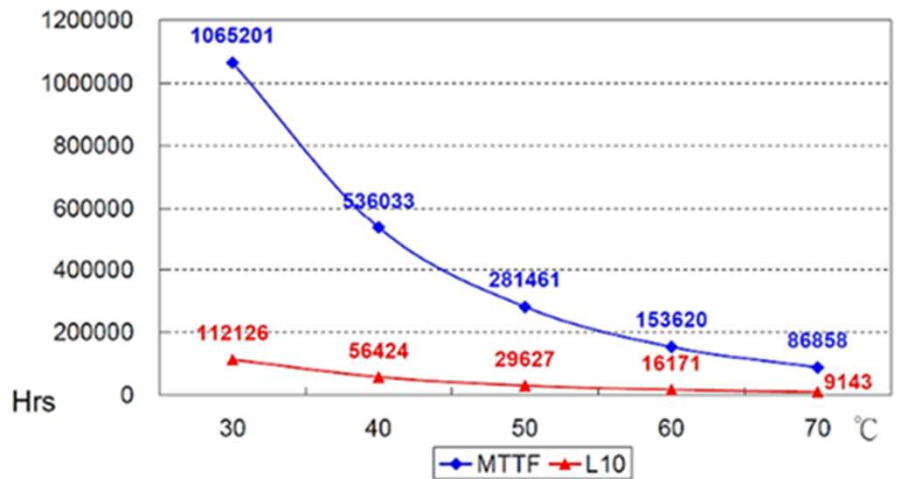
DIMENSIONS

- DIMENSIONS** : 30 X 30 X 4 mm
- BEARING TYPE** : AFB
- MOTOR PROTECTION** : BY IC
- RATED VOLTAGE** : 5.0 VDC
- OPERATING VOLTAGE RANGE** : 3.5 ~ 5.5 VDC
- START-UP VOLTAGE** : 3.5 VDC , POWER ON/OFF
- REAL CURRENT** : 0.10 Amp
- REAL POWER** : 0.50 Watt
- RATED CURRENT** : 0.30 Amp +10% MAX
- RATED POWER** : 1.50 Watt
- RATED SPEED** : 9500 RPM ± 15 %
(IN FREE AIR AT RATED VOLTAGE)
- AIR FLOW** : 0.760 CFM (min. 0.646 CFM)
(IN FREE AIR AT RATED VOLTAGE)
- AIR FLOW** : 0.021 CMM (min. 0.017 CMM)
(IN FREE AIR AT RATED VOLTAGE)
- STATIC AIR PRESSURE** : 0.346 InH₂O (min. 0.249 InH₂O)
- STATIC AIR PRESSURE** : 8.80 mmH₂O (min. 6.358 mmH₂O)
(IN FREE AIR AT RATED VOLTAGE)
- NOISE LEVEL (0.3M)** : 31.3 dB(A) (MAX.: 34.3 dB(A))
- LIFE EXPECTANCY** : 50000 Hours at 40°C / 65% RH
- NET WEIGHT** : 5 Gram

Fan Performance Curve



MTTF & L10 Curve



DB03010

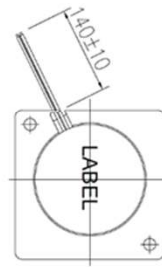
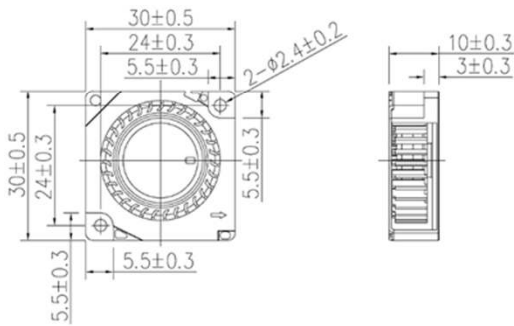
WKV PN	Fan Size (mm)	Description	Voltage (VDC)	Air Flow (CFM)	Static Pressure (mm)	Noise	Power (Watts)	RPM	Termination	Weight (g)
DB0301005H1A-2T0	30*30*10	ULTRA THIN DC BLOWER 30X30X10MM 5V 1.09CFM	5	1.09	5.61	28dB(A)	1.1	7000	2 Wire, No Connector	8.4

Description: DC Fan with :

Lead Wire: UL3302 , AWG#30 , 140±10 mm lead length

RED WIRE ----- (+)

BLACK WIRE ----- (-)



FEATURES

- FG SIGNAL
- RD SIGNAL
- PWM
- IP-55 RATED
- HIGH TEMP RATED

DIMENSIONS

: 30 X 30 X 10 mm

BEARING TYPE

: AFB

MOTOR PROTECTION

: BY IC

RATED VOLTAGE

: 5.0 VDC

OPERATING VOLTAGE RANGE

: 3.5 ~ 5.5 VDC

START-UP VOLTAGE

: 3.5 VDC , POWER ON/OFF

REAL CURRENT

: 0.21 Amp

REAL POWER

: 1.10 Watt

RATED CURRENT

: 0.25 Amp +10% MAX

RATED POWER

: 1.30 Watt

RATED SPEED

: 7000 RPM ± 15 %

(IN FREE AIR AT RATED VOLTAGE)

AIR FLOW

: 1.09 CFM (min. 0.926 CFM)

AIR FLOW

: 0.030 CMM (min. 0.025 CMM)

(IN FREE AIR AT RATED VOLTAGE)

STATIC AIR PRESSURE

: 0.220 InH₂O (min. 0.158 InH₂O)

STATIC AIR PRESSURE

: 5.61 mmH₂O (min. 4.053 mmH₂O)

(IN FREE AIR AT RATED VOLTAGE)

NOISE LEVEL

: 28.0 dB(A) (MAX.: 31.0 dB(A))

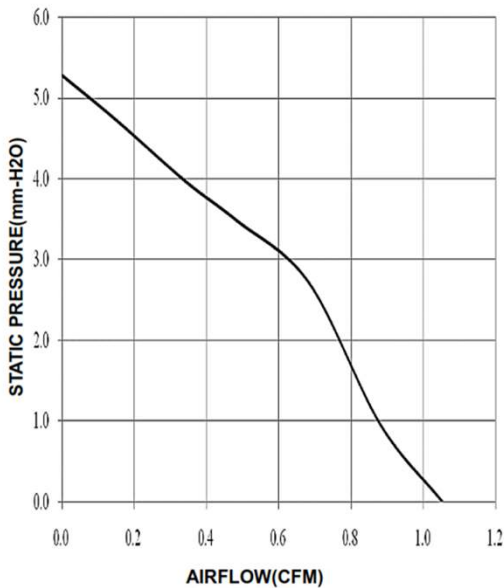
LIFE EXPECTANCY

: 50000 Hours at 40°C / 65% RH

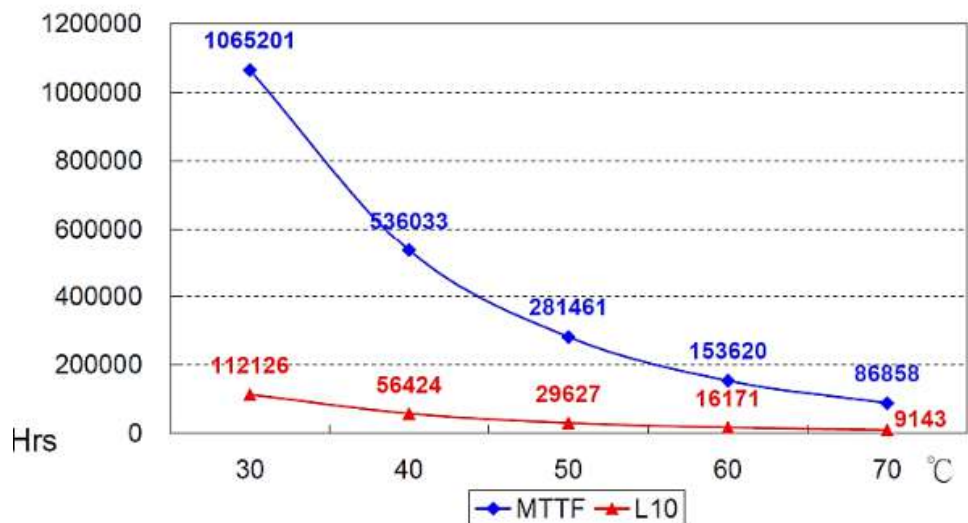
NET WEIGHT

: 8.4 Gram

Fan Performance Curve



MTTF & L10 Curve



DB05505

WKV PN	Fan Size (mm)	Description	Voltage (VDC)	Air Flow (CFM)	Static Pressure (mm)	Noise	Power (Watts)	RPM	Termination	Weight (g)
DB0550505H1A-2T0	55*50*5.25	ULTRA THIN DC BLOWER 55X55X5.25MM 5V 1.27CFM	5	1.27	3.79	21.2dB(A)	0.7	3100	2 Wire, No Connector	17

FEATURES

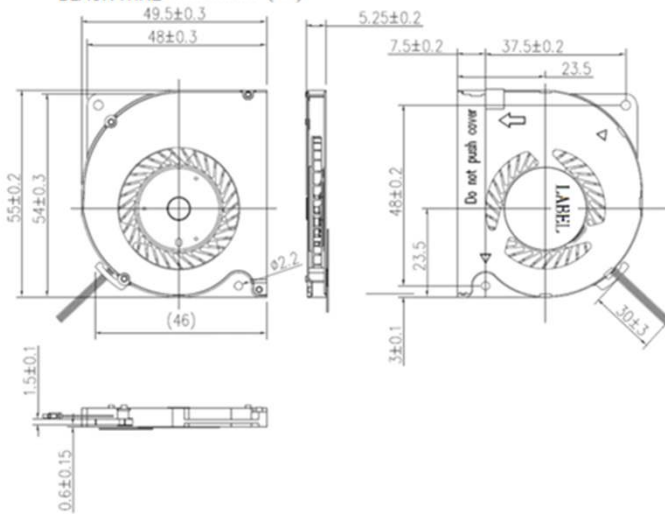
- FG SIGNAL
- RD SIGNAL
- PWM
- IP-55 RATED
- HIGH TEMP RATED

Description: DC Fan with :

Lead Wire: UL3302 , AWG#30 , 30±3 mm lead length

RED WIRE ----- (+)

BLACK WIRE ----- (-)



DIMENSIONS

: 55 X 50 X 5.25 mm

BEARING TYPE

: AFB

MOTOR PROTECTION

: BY IC

RATED VOLTAGE

: 5.0 VDC

OPERATING VOLTAGE RANGE

: 3.5 ~ 6.0 VDC

START-UP VOLTAGE

: 3.5 VDC , POWER ON/OFF

REAL CURRENT

: 0.12 Amp

REAL POWER

: 0.70 Watt

RATED CURRENT

: 0.40 Amp +10% MAX

RATED POWER

: 2.00 Watt

RATED SPEED

: 3100 RPM ± 15 %

(IN FREE AIR AT RATED VOLTAGE)

AIR FLOW

: 1.27 CFM (min. 1.079 CFM)

AIR FLOW

: 0.035 CMM (min. 0.029 CMM)

(IN FREE AIR AT RATED VOLTAGE)

STATIC AIR PRESSURE

: 0.149 InH₂O (min. 0.107 InH₂O)

STATIC AIR PRESSURE

: 3.79 mmH₂O (min. 2.738 mmH₂O)

(IN FREE AIR AT RATED VOLTAGE)

NOISE LEVEL (0.5M)

: 21.2 dB(A) (MAX.: 24.2 dB(A),

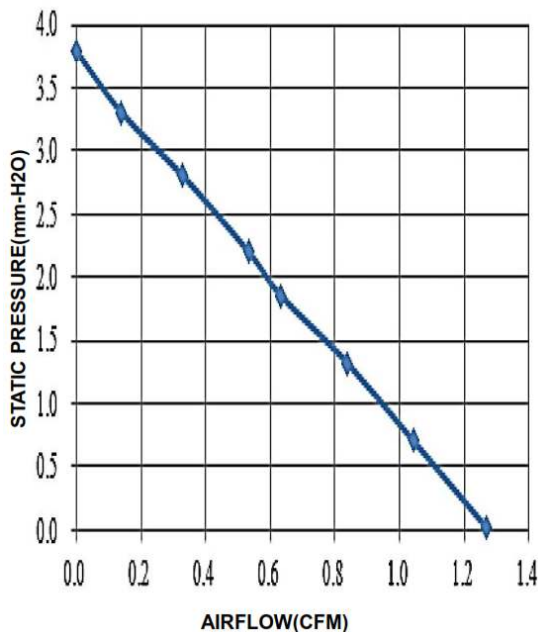
LIFE EXPECTANCY

: 50000 Hours at 40°C / 65% RH

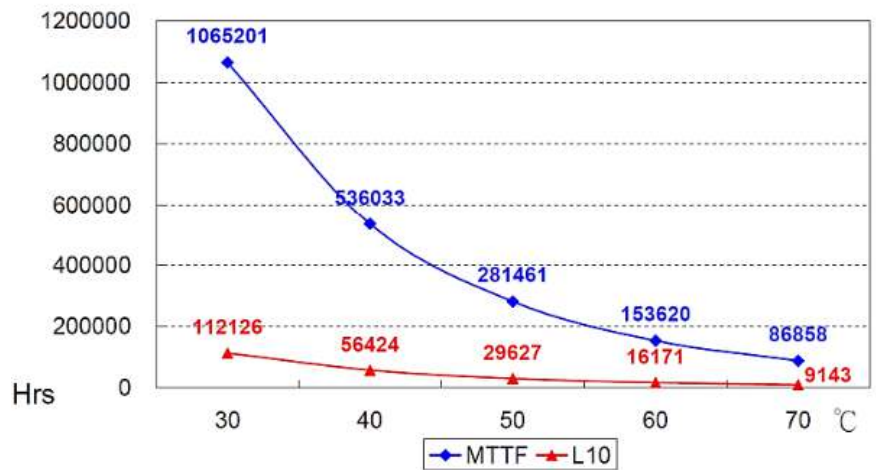
NET WEIGHT

: 17 Gram

Fan Performance Curve



MTTF & L10 Curve



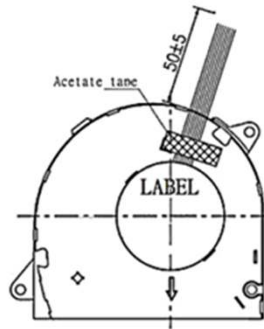
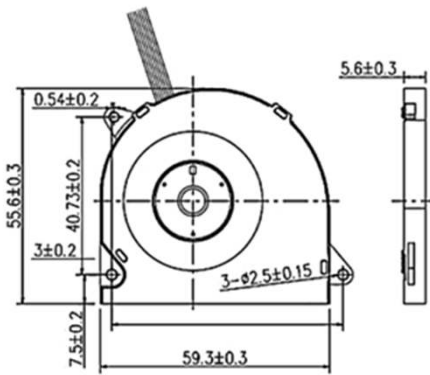
DB05905

WKV PN	Fan Size (mm)	Description	Voltage (VDC)	Air Flow (CFM)	Static Pressure (mm)	Noise	Power (Watts)	RPM	Termination	Weight (g)
DB0590505H1A-BT0	59.3*55.6*5.6	ULTRA THIN DC BLOWER 59.3X55.6X5.6MM 5V 3.25CFM	5	3.25	17.08	41.1dB(A)	1.9	6700	4 Wire, PWM No Connector	20

Description: DC Fan with :

Lead Wire: UL3302 , AWG#32 , 50±5 mm lead length

- RED WIRE ----- (+)
- YELLOW WIRE ----- (FG)
- BLUE WIRE ----- (PWM)
- BLACK WIRE ----- (-)



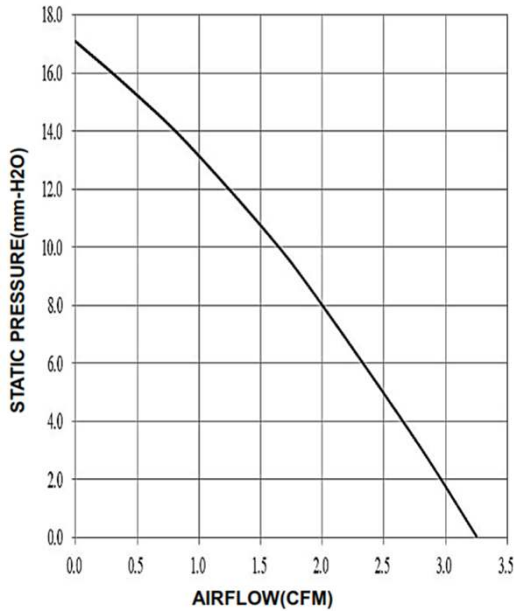
FEATURES

<input checked="" type="checkbox"/>	FG SIGNAL	<input type="checkbox"/>	IP-55 RATED
<input type="checkbox"/>	RD SIGNAL	<input type="checkbox"/>	HIGH TEMP RATED
<input checked="" type="checkbox"/>	PWM		

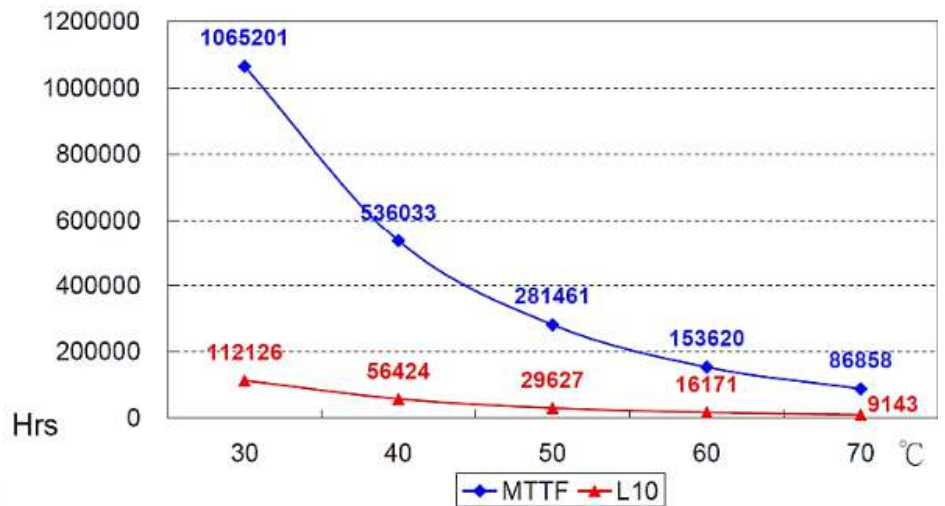
DIMENSIONS

- BEARING TYPE : AFB
- MOTOR PROTECTION : BY IC
- RATED VOLTAGE : 5.0 VDC
- OPERATING VOLTAGE RANGE : 3.5 ~ 5.5 VDC
- START-UP VOLTAGE : 3.5 VDC , POWER ON/OFF
- REAL CURRENT : 0.38 Amp
- REAL POWER : 1.90 Watt
- RATED CURRENT : 0.40 Amp +10% MAX (Duty cycle 100%)
- RATED POWER : 2.00 Watt (Duty cycle 100%)
- RATED SPEED : 6700 RPM ± 10 % (Duty cycle 100%)
- (IN FREE AIR AT RATED VOLTAGE)
- AIR FLOW : 3.25 CFM (min. 2.925 CFM)
- AIR FLOW : 0.091 CMM (min. 0.081 CMM)
- (IN FREE AIR AT RATED VOLTAGE)
- STATIC AIR PRESSURE : 0.672 InH₂O (min. 0.544 InH₂O)
- STATIC AIR PRESSURE : 17.08 mmH₂O (min. 13.834 mmH₂O)
- (IN FREE AIR AT RATED VOLTAGE)
- NOISE LEVEL (0.5M) : 41.1 dB(A) (MAX.: 44.1 dB(A))
- LIFE EXPECTANCY : 50000 Hours at 40°C / 65% RH
- NET WEIGHT : 20 Gram

Fan Performance Curve



MTTF & L10 Curve



SLIM-LINE BLOWERS

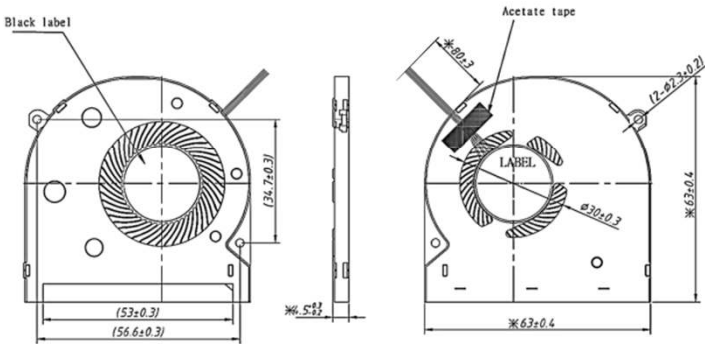


DB06304

WKV PN	Fan Size (mm)	Description	Voltage (VDC)	Air Flow (CFM)	Static Pressure (mm)	Noise	Power (Watts)	RPM	Termination	Weight (g)
DB0630405H1A-BT0	63*63*4	ULTRA THIN DC BLOWER 63X63X4MM 5V 2.15CFM	5	2.15	12.84	35.4dB(A)	1.75	5700	4 Wire, PWM.No Connector	26

Description: DC Fan with :

Lead Wire: UL3302 , AWG#32 , 80±3 mm lead length
 RED WIRE ----- (+)
 BLUE WIRE ----- (FG)
 BLACK WIRE ----- (-)
 WHITE WIRE ----- (PWM)

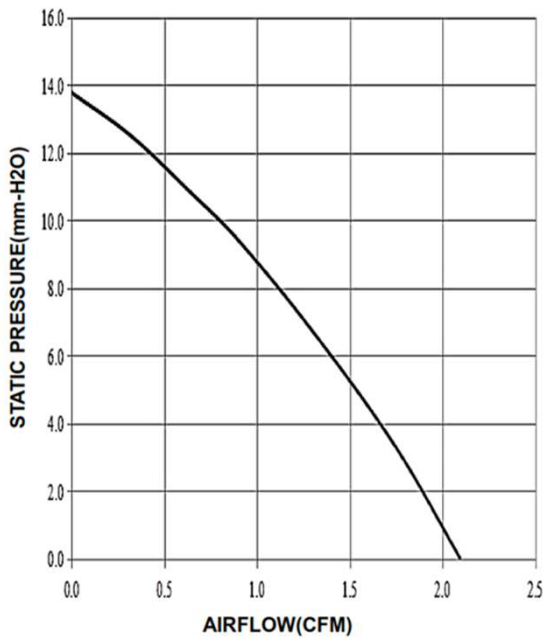


FEATURES

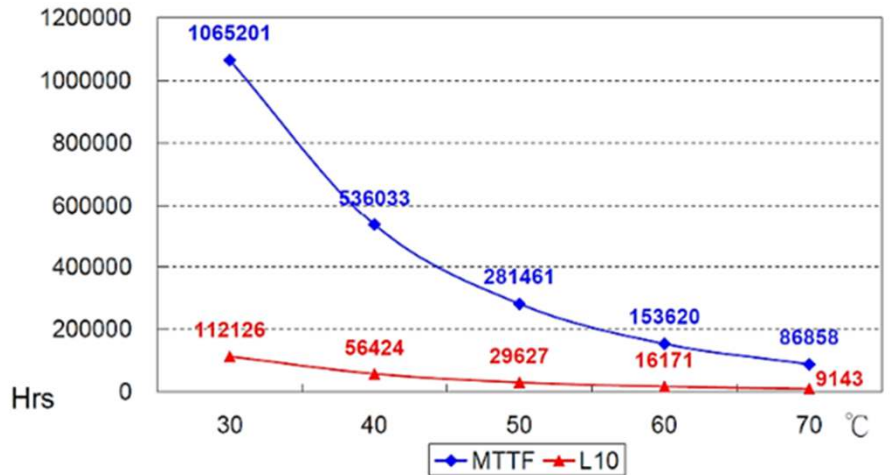
- FG SIGNAL
- RD SIGNAL
- PWM
- IP-55 RATED
- HIGH TEMP RATED

- DIMENSIONS** : 63 X 63 X 4 mm
- BEARING TYPE** : AFB
- MOTOR PROTECTION** : BY IC
- RATED VOLTAGE** : 5.0 VDC
- OPERATING VOLTAGE RANGE** : 3.5 ~ 5.5 VDC
- START-UP VOLTAGE** : 3.5 VDC , POWER ON/OFF
- REAL CURRENT** : 0.40 Amp
- REAL POWER** : 1.75 Watt
- RATED CURRENT** : 0.50 Amp +10% MAX (Duty cycle 100%)
- RATED POWER** : 2.50 Watt (Duty cycle 100%)
- RATED SPEED** : 5700 RPM ± 10 % (Duty cycle 100%)
 (IN FREE AIR AT RATED VOLTAGE)
- AIR FLOW** : 2.15 CFM (min. 1.935 CFM)
- AIR FLOW** : 0.060 CMM (min. 0.054 CMM)
 (IN FREE AIR AT RATED VOLTAGE)
- STATIC AIR PRESSURE** : 0.505 InH₂O (min. 0.409 InH₂O)
- STATIC AIR PRESSURE** : 12.84 mmH₂O (min. 10.40 mmH₂O)
 (IN FREE AIR AT RATED VOLTAGE)
- NOISE LEVEL (0.5M)** : 35.4 dB(A) (MAX.: 38.4 dB(A))
- LIFE EXPECTANCY** : 50000 Hours at 40°C / 65% RH
- NET WEIGHT** : 26 Gram

Fan Performance Curve



MTTF & L10 Curve



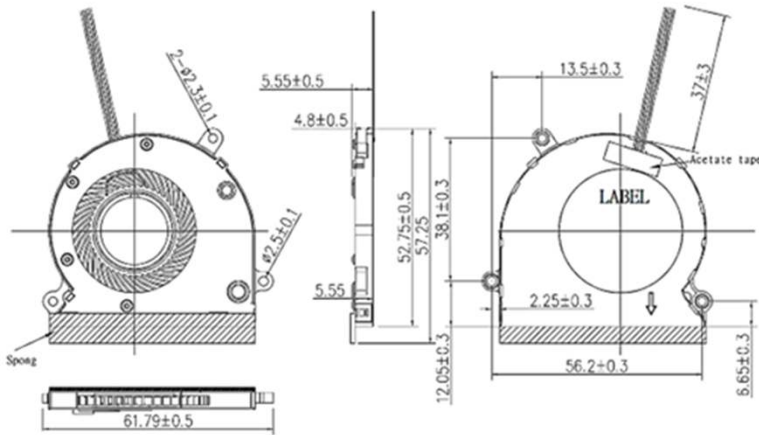
DB06205

WKV PN	Fan Size (mm)	Description	Voltage (VDC)	Air Flow (CFM)	Static Pressure (mm)	Noise	Power (Watts)	RPM	Termination	Weight (g)
DB0620505H1A-BT0	61.8*57.3*5.6	ULTRA THIN DC BLOWER 61.8X57.3X5.6MM 5V 2.68CFM	5	2.68	19.90	42.8dB(A)	1.9	7400	4 Wire, PWM No Connector	17

Description: DC Fan with :

Lead Wire: UL3302 , AWG#32 , 37±3 mm lead length

- RED WIRE ----- (+)
- YELLOW WIRE ----- (FG)
- BLUE WIRE ----- (PWM)
- BLACK WIRE ----- (-)



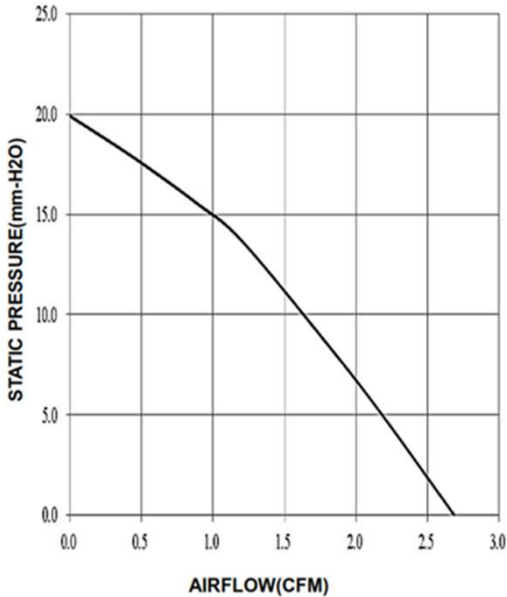
FEATURES

- FG SIGNAL
- RD SIGNAL
- PWM
- IP-55 RATED
- HIGH TEMP RATED

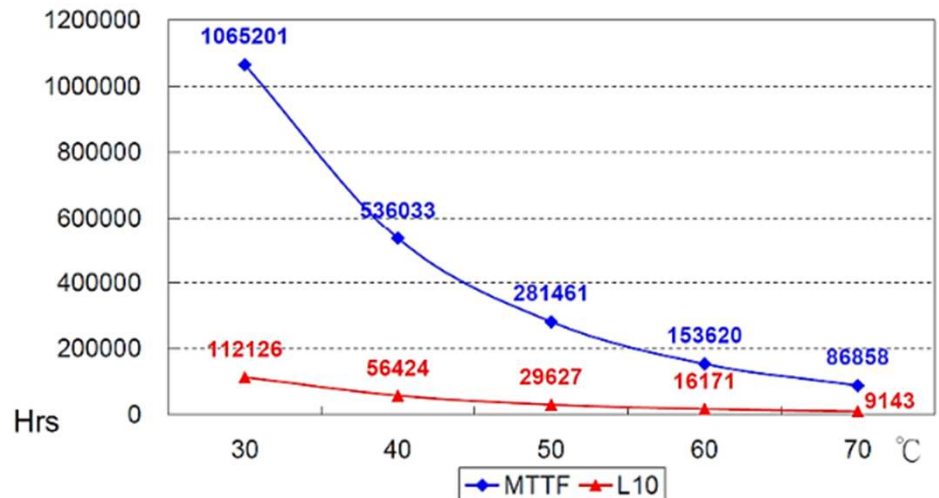
DIMENSIONS

- DIMENSIONS : 61.8 X 57.3 X 5.6 mm
- BEARING TYPE : AFB
- MOTOR PROTECTION : BY IC
- RATED VOLTAGE : 5.0 VDC
- OPERATING VOLTAGE RANGE : 3.5 ~ 5.5 VDC
- START-UP VOLTAGE : 3.5 VDC , POWER ON/OFF
- REAL CURRENT : 0.38 Amp
- REAL POWER : 1.90 Watt
- RATED CURRENT : 0.50 Amp +10% MAX (Duty cycle 100%)
- RATED POWER : 2.50 Watt (Duty cycle 100%)
- RATED SPEED : 7400 RPM ± 10 % (Duty cycle 100%)
- (IN FREE AIR AT RATED VOLTAGE)
- AIR FLOW : 2.68 CFM (min. 2.412 CFM)
- AIR FLOW : 0.075 CMM (min. 0.067 CMM)
- (IN FREE AIR AT RATED VOLTAGE)
- STATIC AIR PRESSURE : 0.783 InH₂O (min. 0.634 InH₂O)
- STATIC AIR PRESSURE : 19.90 mmH₂O (min. 16.119 mmH₂O)
- (IN FREE AIR AT RATED VOLTAGE)
- NOISE LEVEL (0.5M) : 42.8 dB(A) (MAX.: 45.8 dB(A))
- LIFE EXPECTANCY : 50000 Hours at 40°C / 65% RH
- NET WEIGHT : 17 Gram

Fan Performance Curve



MTTF & L10 Curve

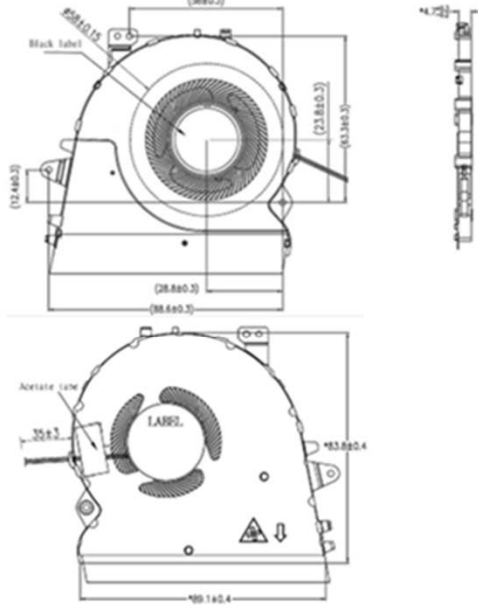


DB08904

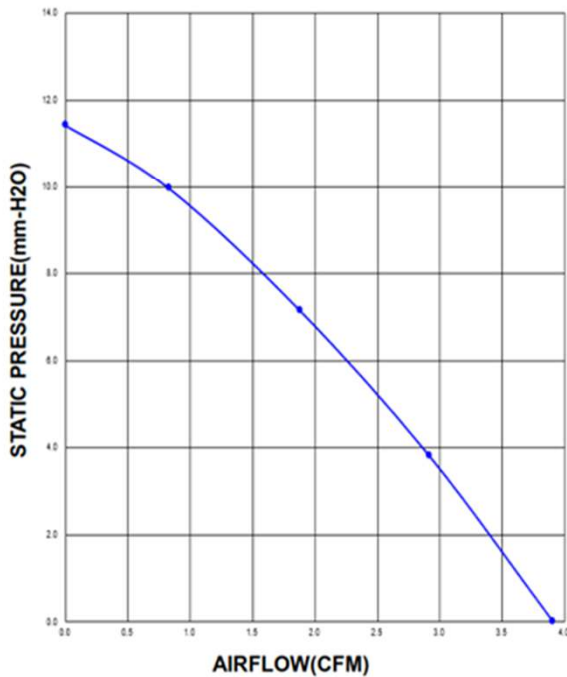
WKV PN	Fan Size (mm)	Description	Voltage (VDC)	Air Flow (CFM)	Static Pressure (mm)	Noise	Power (Watts)	RPM	Termination	Weight (g)
DB0890405H1A-BTC	89.1*83.8*4.7	ULTRA THIN DC BLOWER 89.1X83.8X4.7MM 5V 3.91CFM	5	3.91	11.40	38.5dB(A)	1.5	3400	4 Wire, PWM No Connector	38

Description: DC Fan with :

Lead Wire: UL3302 , AWG#32 , 35±3 mm lead length
 BLACK WIRE ----- (-)
 YELLOW WIRE ----- (FG)
 BLUE WIRE ----- (PWM)
 RED WIRE ----- (+)



Fan Performance Curve



FEATURES

- FG SIGNAL
- RD SIGNAL
- PWM
- IP-55 RATED
- HIGH TEMP RATED

DIMENSIONS

: 89.1 X 83.8 X 4.7 mm

BEARING TYPE

: FDB

MOTOR PROTECTION

: BY IC

RATED VOLTAGE

: 5.0 VDC

START-UP DUTY

: 20% , AT RATED VOLTAGE

REAL CURRENT

: 0.30 Amp

REAL POWER

: 1.50 Watt

RATED CURRENT

: 0.45 Amp +10% MAX (Duty cycle 100%)

RATED POWER

: 2.25 Watt (Duty cycle 100%)

RATED SPEED

: 3400 RPM ± 10 % (Duty cycle 100%)

(IN FREE AIR AT RATED VOLTAGE)

AIR FLOW

: 3.91 CFM (min 3.519 CFM)

AIR FLOW

: 0.110 CMM (min 0.099 CMM)

(IN FREE AIR AT RATED VOLTAGE)

STATIC AIR PRESSURE

: 0.448 InH₂O (min 0.362 InH₂O)

STATIC AIR PRESSURE

: 11.4 mmH₂O (min 9.234 mmH₂O)

(IN FREE AIR AT RATED VOLTAGE)

NOISE LEVEL

: 38.5 dB(A) (MAX.: 41.5 dB(A))

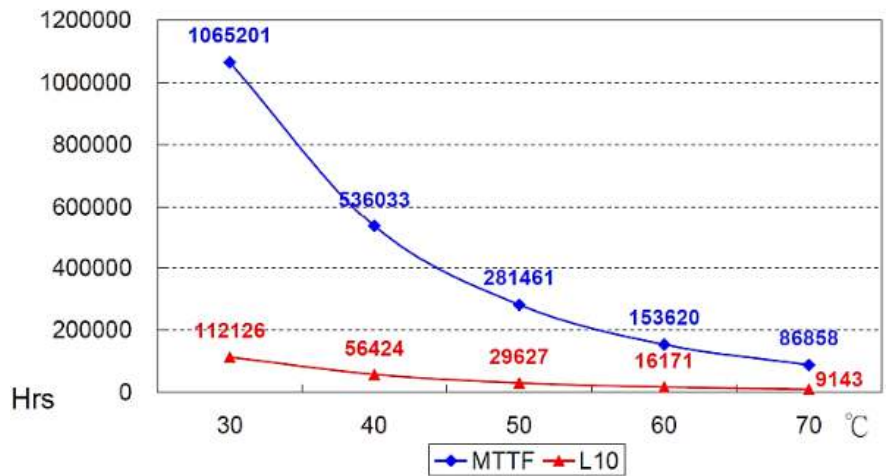
LIFE EXPECTANCY

: 50000 Hours at 40°C / 65% RH

NET WEIGHT

: 38 Gram

MTTF & L10 Curve



SLIM-LINE BLOWERS



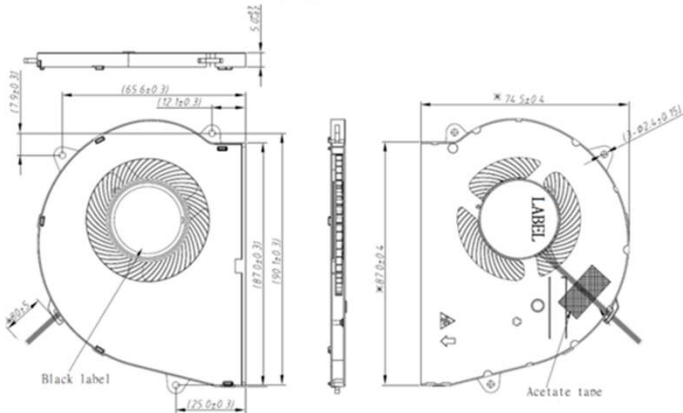
DB08705

WKV PN	Fan Size (mm)	Description	Voltage (VDC)	Air Flow (CFM)	Static Pressure (mm)	Noise	Power (Watts)	RPM	Termination	Weight (g)
DB0870505H1A-BT0	87*74.5*5	ULTRA THIN DC BLOWER 87X74.5X5MM 5V 4.63CFM	5	4.63	14.52	40.9dB(A)	2.25	4500	4 Wire, PWM No Connector	41

Description: DC Fan with :

Lead Wire: UL3302 , AWG#32 , 80±5 mm lead length

- RED WIRE----- (+)
- BLUE WIRE----- (PWM)
- BLACK WIRE----- (-)
- WHITE WIRE----- (FG)

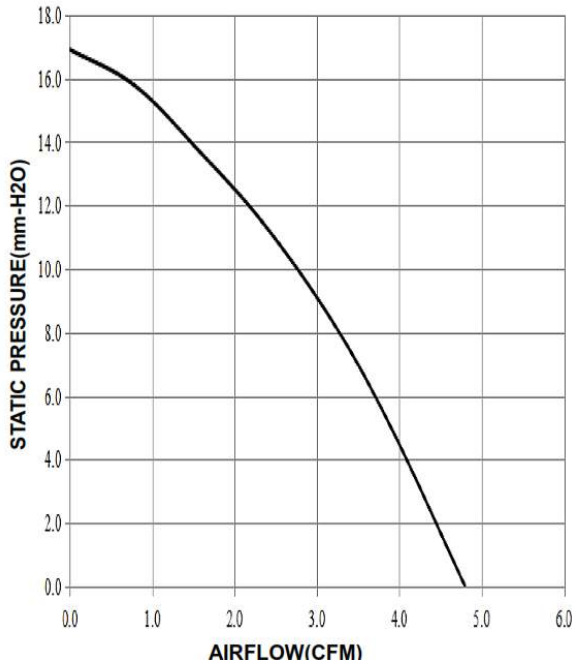


FEATURES

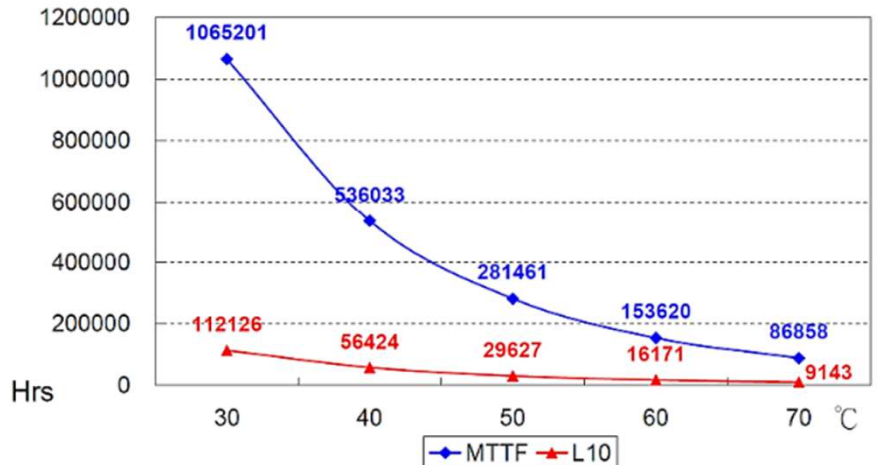
<input checked="" type="checkbox"/> V	FG SIGNAL	<input type="checkbox"/>	IP-55 RATED
<input type="checkbox"/>	RD SIGNAL	<input type="checkbox"/>	HIGH TEMP RATED
<input checked="" type="checkbox"/> V	PWM		

DIMENSIONS	:	87 X 75 X 5 mm
BEARING TYPE	:	AFB
MOTOR PROTECTION	:	BY IC
RATED VOLTAGE	:	5.0 VDC
OPERATING VOLTAGE RANGE	:	2.5 ~ 5.5 VDC
START-UP VOLTAGE	:	2.5 VDC , POWER ON/OFF
REAL CURRENT	:	0.45 Amp
REAL POWER	:	2.25 Watt
RATED CURRENT	:	0.50 Amp +10% MAX (Duty cycle 100%)
RATED POWER	:	2.50 Watt (Duty cycle 100%)
RATED SPEED	:	4500 RPM ± 15 % (Duty cycle 100%)
		(IN FREE AIR AT RATED VOLTAGE)
AIR FLOW	:	4.63 CFM (min. 3.935 CFM)
AIR FLOW	:	0.131 CMM (min. 0.111 CMM)
		(IN FREE AIR AT RATED VOLTAGE)
STATIC AIR PRESSURE	:	0.571 InH ₂ O (min. 0.412 InH ₂ O)
STATIC AIR PRESSURE	:	14.52 mmH ₂ O (min. 10.49 mmH ₂ O)
		(IN FREE AIR AT RATED VOLTAGE)
NOISE LEVEL (0.5M)	:	40.9 dB(A) (MAX.: 43.9 dB(A))
LIFE EXPECTANCY	:	50000 Hours at 40°C / 65% RH
NET WEIGHT	:	41 Gram

Fan Performance Curve



MTTF & L10 Curve



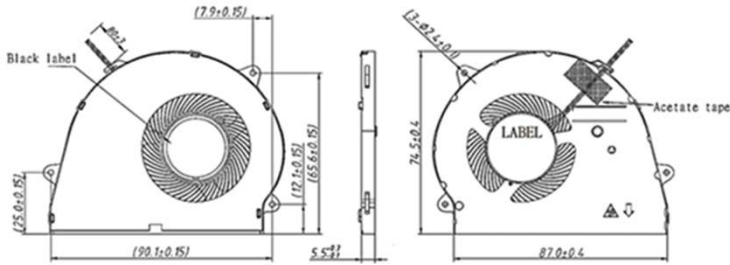
DB08706

WKV PN	Fan Size (mm)	Description	Voltage (VDC)	Air Flow (CFM)	Static Pressure (mm)	Noise	Power (Watts)	RPM	Termination	Weight (g)
DB0870605H1A-BT0	87*74.5*5.5	ULTRA THIN DC BLOWER 87X74.5X5.52MM 12V 5.70CFM	5	5.70	15.87	41.85dB(A)	2.25	4600	4 Wire, PWM No Connector	46

Description: DC Fan with :

Lead Wire: UL3302 , AWG#32 , 80±3 mm lead length

- RED WIRE----- (+)
- BLUE WIRE----- (PWM)
- BLACK WIRE----- (-)
- WHITE WIRE----- (FG)



FEATURES

<input checked="" type="checkbox"/>	FG SIGNAL	<input type="checkbox"/>	IP-55 RATED
<input type="checkbox"/>	RD SIGNAL	<input type="checkbox"/>	HIGH TEMP RATED
<input checked="" type="checkbox"/>	PWM		

DIMENSIONS

: 87 X 74 X 5.5 mm

BEARING TYPE

: AFB

MOTOR PROTECTION

: BY IC

RATED VOLTAGE

: 5.0 VDC

OPERATING VOLTAGE RANGE

: 3.5 ~ 5.5 VDC

START-UP VOLTAGE

: 3.5 VDC , POWER ON/OFF

REAL CURRENT

: 0.50 Amp

REAL POWER

: 2.50 Watt

RATED CURRENT

: 0.50 Amp +10% MAX (Duty cycle 100%)

RATED POWER

: 2.50 Watt (Duty cycle 100%)

RATED SPEED

: 4600 RPM ± 15 % (Duty cycle 100%)

(IN FREE AIR AT RATED VOLTAGE)

AIR FLOW

: 5.70 CFM (min. 4.845 CFM)

AIR FLOW

: 0.161 CMM (min. 0.136 CMM)

(IN FREE AIR AT RATED VOLTAGE)

STATIC AIR PRESSURE

: 0.624 InH₂O (min. 0.450 InH₂O)

STATIC AIR PRESSURE

: 15.87 mmH₂O (min. 11.466 mmH₂O)

(IN FREE AIR AT RATED VOLTAGE)

NOISE LEVEL (0.5M)

: 41.85 dB(A) (MAX.: 44.85 dB(A))

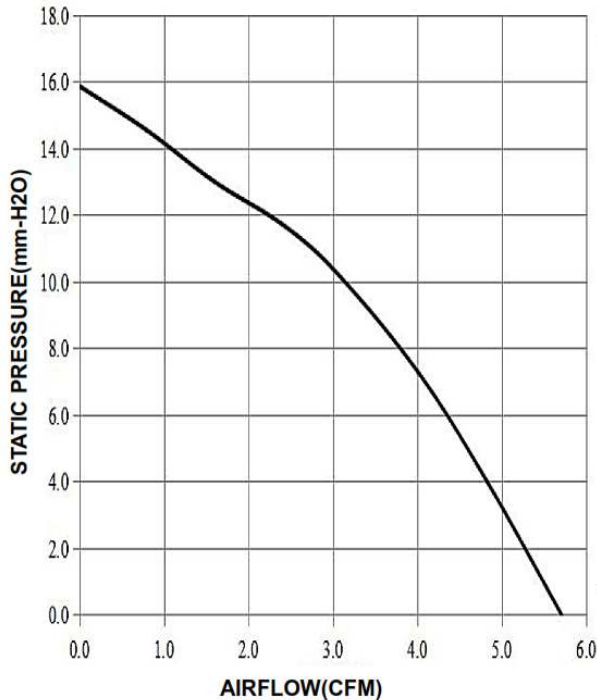
LIFE EXPECTANCY

: 50000 Hours at 40°C / 65% RH

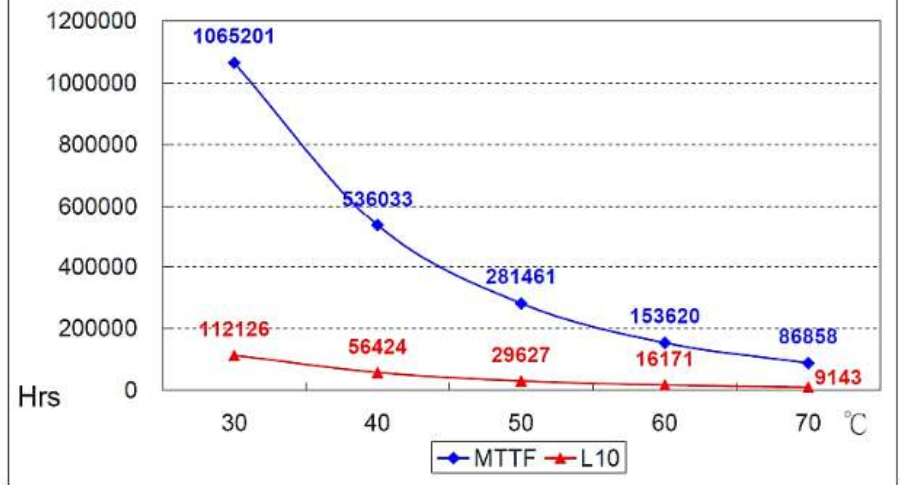
NET WEIGHT

: 46 Gram

Fan Performance Curve



MTTF & L10 Curve



X-ON Electronics

Largest Supplier of Electrical and Electronic Components

Click to view similar products for [Blowers & Centrifugal Fans](#) category:

Click to view products by [Wakefield](#) manufacturer:

Other Similar products are found below :

[MKEL-DRB](#) [R2D140-AB02-14](#) [R2D160-AC02-13](#) [R4D310-AS18-01](#) [R4D400-AD22-06](#) [R4E180-AS11-09](#) [R4S175-AA16-12](#) [AIF60112](#)
[AIF801724](#) [RLF35-812N2P-103](#) [DOP-EXI014RAE](#) [KFB1724VHT-AF00](#) [KFC1048DS-S45D](#) [AIF641714](#) [CME-COP01](#) [R1G220-AB07-09](#)
[R2E180CH0312](#) [R2S150-AD08-09](#) [RD20S-4/210660](#) [RH56M-6/204689](#) [D2E146-CD51-09](#) [TP04G-AS2](#) [TP05G-BT2](#) [TP-PCC](#) [BR200W250](#)
[D4E133-AA01-51](#) [DFD0612H/SPECTRA](#) [DOP-EXI028RAE](#) [55462.19890](#) [K1G200-AA73-02](#) [G2D160-AF02-01](#) [G2E150-BA52-07](#)
[G2S150-AB56-42](#) [D4E225-BC01-02](#) [R2D225-AV02-14](#) [D2E146-HT67-63](#) [K1G220-AA67-02](#) [G2E140-AG02-05](#) [R3G190-AB23-02](#)
[55410.91750](#) [55462.19891](#) [G3G160-AC70-01](#) [R1G120-AD17-11](#) [R3G250-AM70-01](#) [R2E225-RA02-47](#) [RER225-63/18/2TDMP](#) [R4E310-](#)
[AO12-14](#) [D2E146-HT65-64](#) [3612751](#) [G2D140-AC30-18](#)