

DUAL LED Heat Sink- Active & Passive w/ Fan Attachment

Wakefield- Vette's DUAL LED Series heat sinks are extremely versatile for a customer's application whether they require either an active or passive solutions. Each DUAL LED Heat Sink has a built-in option which lets the customer add a standard, silent fan in less than a minute, with just four screws, and get more than a *five-times improvement* in thermal resistance and wattage rating up to 700 watts.

Features:

- Single-Piece Forged-Aluminum Construction For Low Thermal Resistance & Compact Form-Factor
- Eleven Models Ranging from 58 mm to 225 mm Diameter with Thermal Resistance As Low As .35 Deg C/W For Passive Cooling up to 150 Watts
- Compatible with all SMD LED arrays, COBs, and “Driverless” AC-LED’s From All Major LED manufacturers



WKV Part Number	Diameter (mm)	Height (mm)	Passive Thermal Resistance (C/W)	Maximum LED Watts (@25C Ambient)	Fan Size (mm, edge x thickness)	Fan DC Voltage	Fan Current (mA)	Fan RPM	Active Thermal Res (C/W)	Active Watts (@25C Ambient)
DUALLED-5830	58	30	5.90	6	40 x 20	12	20	4000	1.18	48
DUALLED-5850	58	50	3.90	13	40 x 20	12	20	4000	0.78	70
DUALLED-5880	58	80	3.35	15	40 x 20	12	20	4000	0.67	85
DUALLED-6830	68	30	4.00	12	40 x 20	12	20	2000	0.80	72
DUALLED-6850	68	50	3.20	16	40 x 20	12	20	2000	0.64	90
DUALLED-6880	68	80	2.70	19	40 x 20	12	20	4000	0.54	105
DUALLED-13030	130	30	2.80	18	80 x 25	12	70	2100	0.56	102
DUALLED-13050	130	50	1.05	33	80 x 25	12	70	2100	0.21	260
DUALLED-13080	130	80	0.83	60	80 x 25	12	70	2100	0.17	34
DUALLED-19037	190	37	0.70	75	120 x 25	12	80	1300	0.14	400
DUALLED-22560	225	60	0.35	150	120 x 25	12	60	1300	0.08	750

See following pages for High Performance Active Solutions

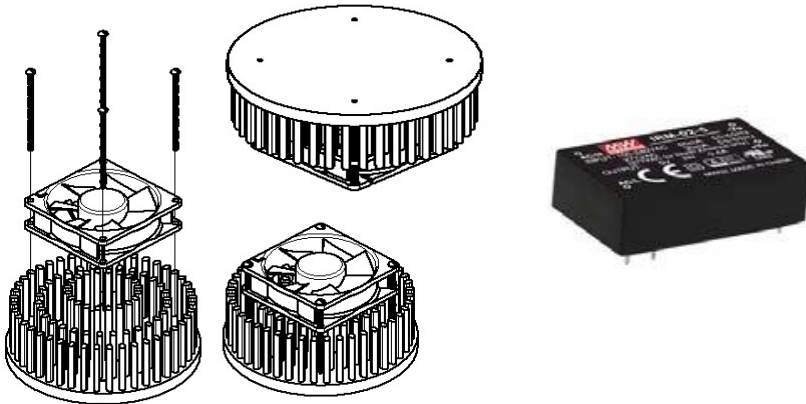
DUAL LED Heat Sink- Active & Passive w/ Fan Attachment



All DUAL LED heatsinks have pre-drilled and tapped holes in the baseplate so that a fan can be attached to the pin side (blowing air into the pins) with just four 6-62 screws of proper length (or longer screws with appropriate washers or spacers. Wakefield-Vette lists the DUAL LED heat sinks and suggested fan type to achieve silent operation and life expectancy approaching 100,000 hours. Please note that all fans should be DC dual-ball-bearing brushless type.

For Use in Active Cooling Mode...

Insert the four long 6-32 screws through the four fan-mounting holes, through spaces between the blade-like pins of the heat sink and into the four tapped holes, into back side of the base plate. Connect plus and minus fan wires to power supply by direct solder connection or by means of an appropriate interconnect PC board.



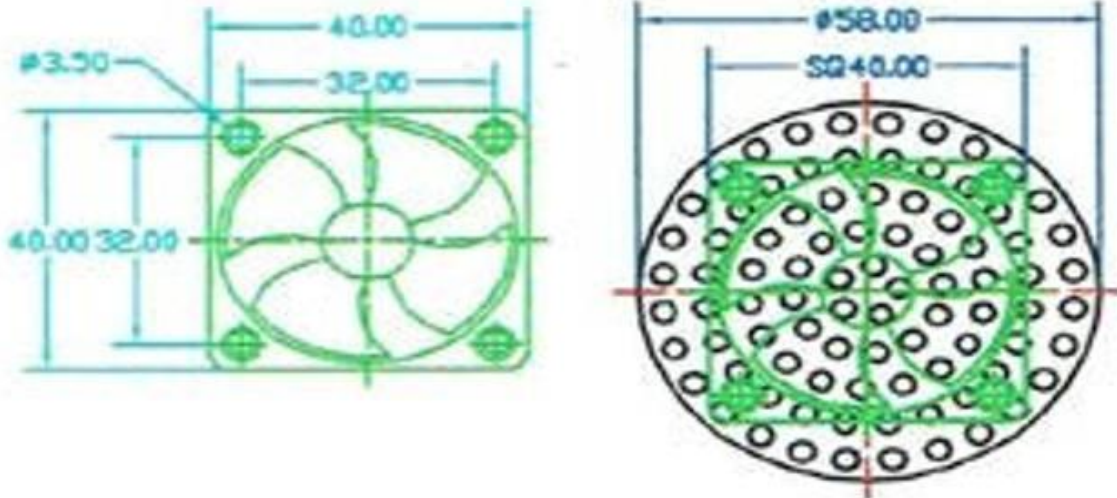
12V/2 watt power supply for fan
 (Fan requires less than one watt of power)
 Meanwell Model IRM-02 or equivalent
 1.33" X" .87" X .4"

Recommended hardware for fan mounting in active-cooling mode:

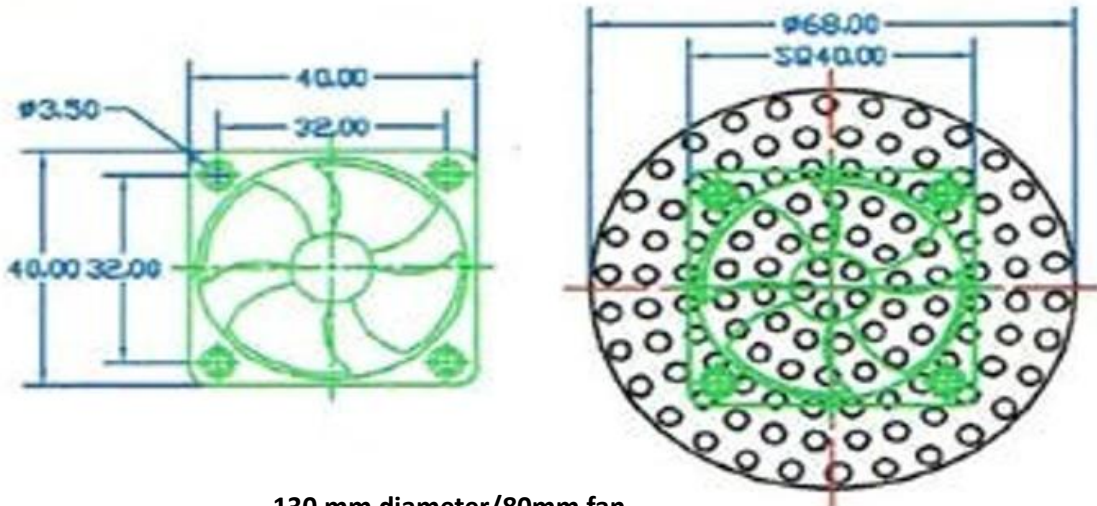
Item	Baseplate thickness mm	DUALLED-XXXXX Part Number	Heat sink height mm	Total Height with fan mm	Recommended screw length U.S. 6-32 thread inches	McMaster part number for screw 6-32 U.S. thread	Recommended spacer thickness under screw head McMaster part no. U.S dimension	Screw protrusion through baseplate (inches)
1	5	5830	30	50	2.0--	90272A288	none	.030
2	5	5850	50	70	3.0	90272A161	¼ inch 94639A301	.010
3	5	5880	80	100	4.0	99117A110	none	.060
4	5	6830	30	50	2.0	90272A159	none	.030
5	5	6850	50	70	3.0	90272A163	¼ inch 94639A301	none
6	5	6880	80	100	4.0	99117A110	none	.070
7	10	13030	30	55	2.0	90272A288	none	none
8	10	13050	50	75	3.0	90272A163	none	.050
9	10	13080	80	105	4.0	99117A110	none	none
10	10	19037	37	62	2.5	90272A161	none	.060
11	10	22560	60	85	4.0	99117A110	5/8 inch 94639A304	.015

Fan-attachment --Hole locations (holes tapped for 6-32 thread):

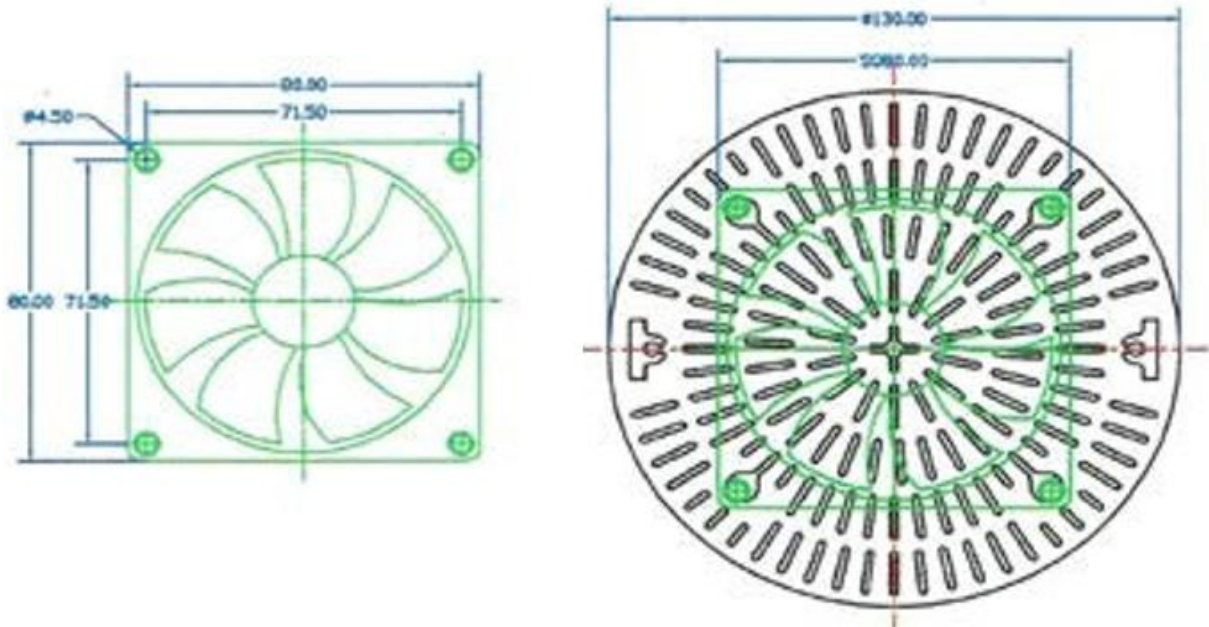
58mm diameter/40mm fan



68 mm diameter/40mm fan



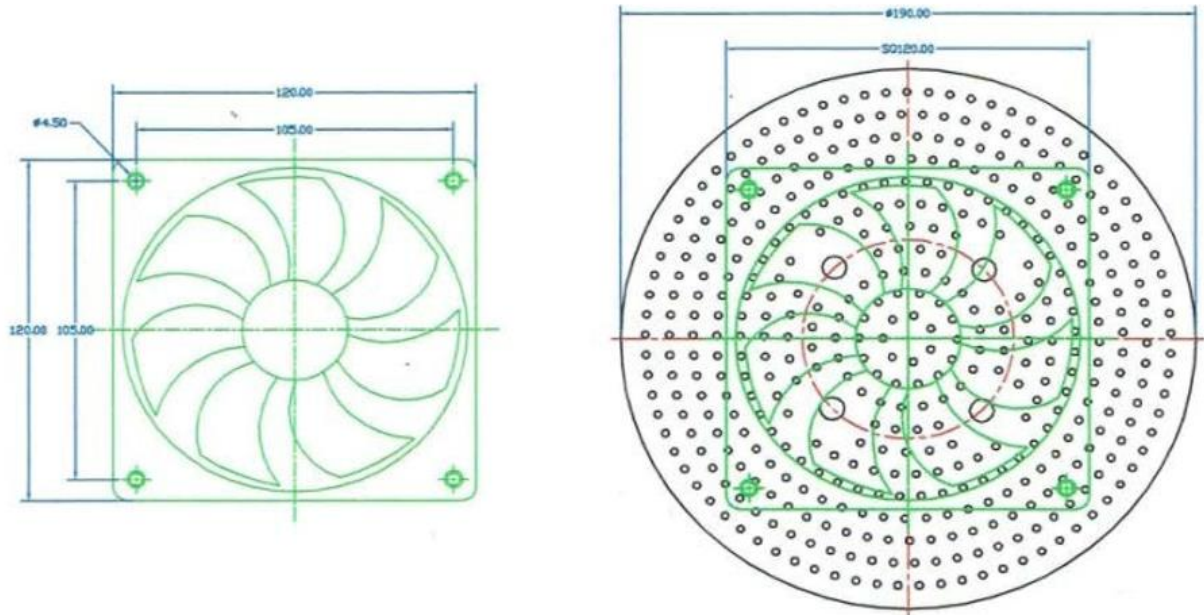
130 mm diameter/80mm fan



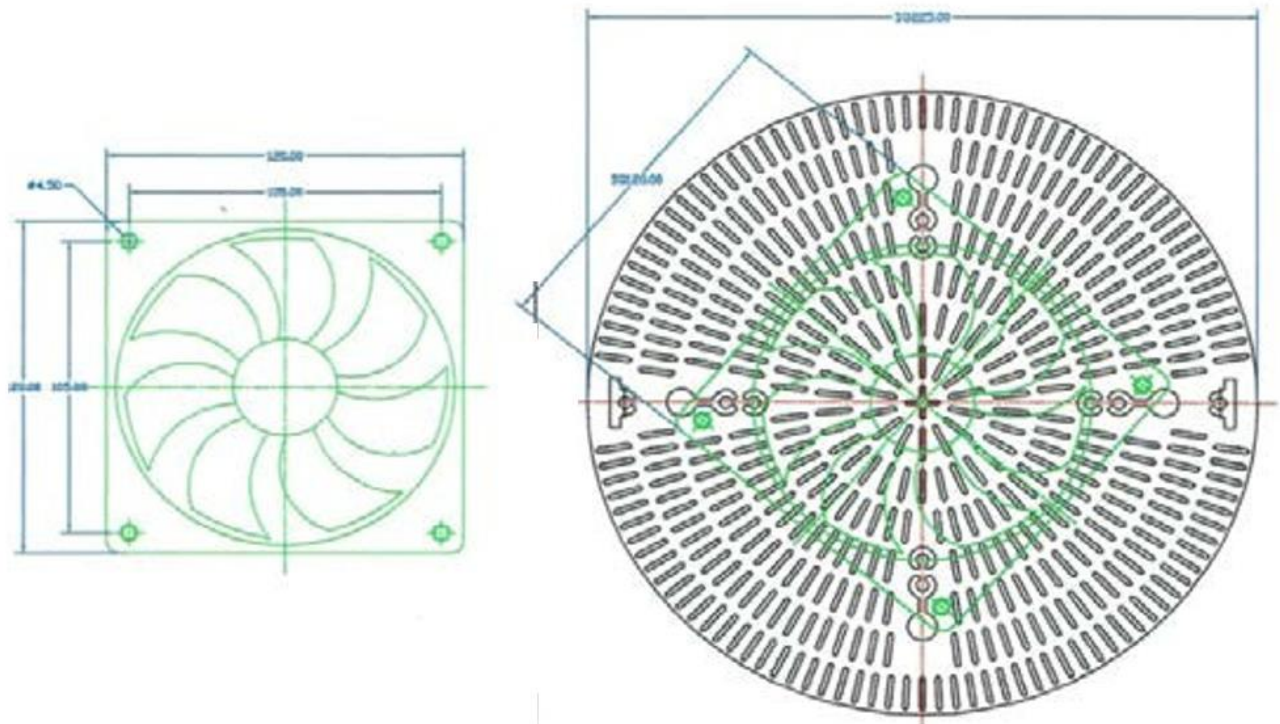
DUAL LED Heat Sink- Active & Passive w/ Fan Attachment

Fan-attachment --Hole locations (holes tapped for 6-32 thread):

190 mm diameter/120mm fan



225 mm diameter/120mm fan



X-ON Electronics

Largest Supplier of Electrical and Electronic Components

Click to view similar products for [Heat Sinks - LED category](#):

Click to view products by [Wakefield manufacturer](#):

Other Similar products are found below :

[ATSEU-077-EXL-R1](#) [LRS285200TW](#) [LMH020-HS00-0000-0000081](#) [LRS285200TWK](#) [ATS-58001-C1-R0](#) [ATS-58002-C1-R0](#) [ATSEU-077A2-C1-R1](#) [ATSEU-077A2-C2-R0](#) [ATSEU-077A2-C5-R0](#) [ATSEU-077A-C3-R0](#) [ATSEU-077A-C4-R0](#) [ATSEU-077A-C6-R0](#) [ATSEU-077B-C1-R0](#) [ATSEU-077B-C2-R0](#) [ATSEU-077B-C3-R0](#) [ATSEU-077B-C4-R0](#) [ATSEU-077B-C5-R0](#) [ATSEU-077B-C6-R0](#) [ATSEU-077C-C1-R0](#) [ATSEU-077C-C2-R0](#) [ATSEU-077C-C3-R0](#) [ATSEU-077C-C4-R0](#) [ATSEU-077C-C5-R0](#) [ATSEU-077C-C6-R0](#) [ATSEU-077D-C1-R0](#) [ATSEU-077D-C2-R0](#) [ATSEU-077D-C3-R0](#) [ATSEU-077D-C4-R0](#) [ATSEU-077D-C5-R0](#) [ATSEU-077D-C6-R0](#) [ATSEU-109-C1-R0](#) [ATSEU-110-C1-R0](#) [ATSEU-110-C2-R0](#) [LMH020-HS00-0000-0000001](#) [45-4586](#) [180289-0000](#) [HSSLS-CALCL-008](#) [124212](#) [124213](#) [124214](#) [124215](#) [882-100AB](#) [882-200AB](#) [882-300AB](#) [882-50AB](#) [DUALLED-13030](#) [DUALLED-13080](#) [DUALLED-22560](#) [DUALLED-5830](#) [DUALLED-5850](#)