

FMC & PMC Mezzanine Cards describes a specification of I/O mezzanine modules in conjunction with FPGA or another device with configurable I/O capability. The design allows use on any industry standard slot card with form factors such as VME, VPX, CompactPCI, AdvancedTCA, MicroTCA, PCI, PXI, and many others.. Wakefield-Vette can customize your specific application needs for custom FMC & PMC Bezels.

Features:

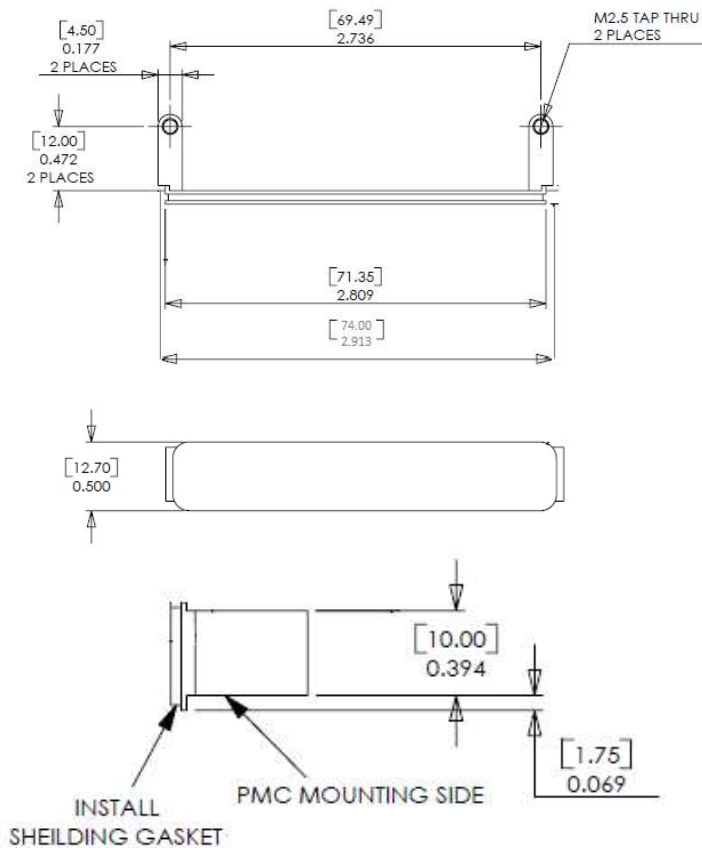
- Material: Aluminum
- Kit: Bezel, Elastomer Gasket, Two M2.5 x 6mm PH Stainless Steel Screws
- Custom cutouts, silkscreen or overlays available



WV Part Number	Description	Kit Description	Size
PMC-BEZEL-KIT-01	Aluminum PMC Bezel Kit (1050056-00)	PMC Bezel, Elastomer Gasket, Qty. Two M2.5 x 6mm Screws	0.659" L x 0.500" W x 2.913" H (16.75mm x 12.70mm x 74.00mm)
FMC-BEZEL-KIT-01	Aluminum FMC Bezel Kit (1050117-00)	FMC Bezel, Elastomer Gasket, Qty. Two M2.5 x 6mm Screws	0.659" L x 0.500" W x 2.404" H (16.75mm x 12.70mm x 61.00mm)
PMC-GASKET-01	PMC EMC GASKET O RING (1070010-00)	Spare, Replacement Component	
FMC-GASKET-01	FMC EMC GASKET O RING (1070036-00)	Spare, Replacement Component	

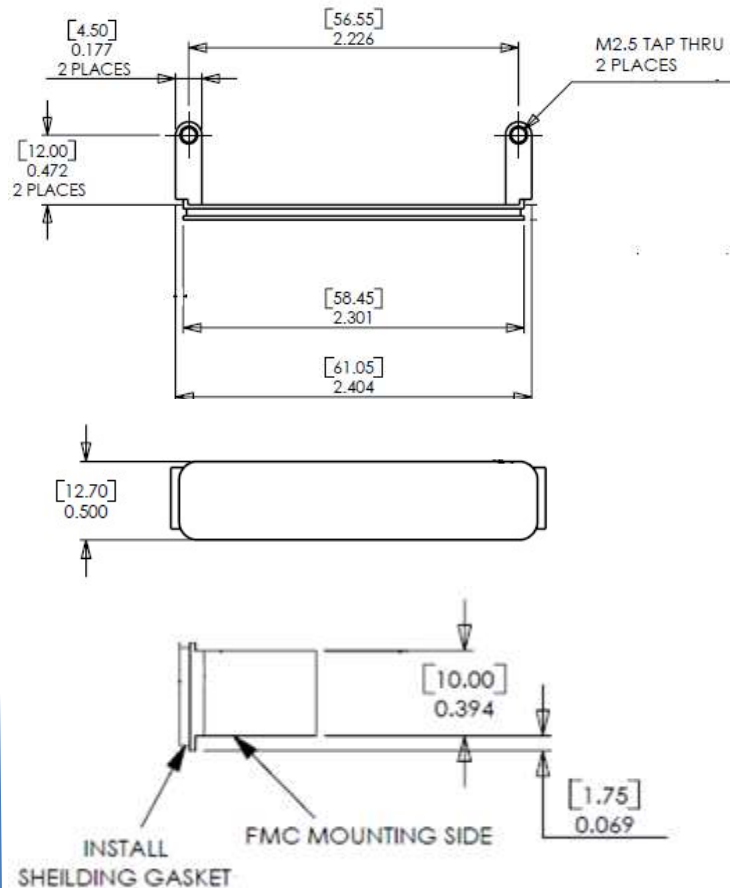
PMC-BEZEL-KIT-01

Kit with PMC Gasket & Mounting Hardware



FMC-BEZEL-KIT-01

Kit with FMC Gasket & Mounting Hardware



X-ON Electronics

Largest Supplier of Electrical and Electronic Components

Click to view similar products for [Mounting Fixings](#) category:

Click to view products by [Wakefield](#) manufacturer:

Other Similar products are found below :

[5912235-2](#) [007541](#) [627](#) [M3783-7001](#) [71-074914-006](#) [71-441549-19S](#) [75-69211-3P](#) [75-69214-6P](#) [75-69220-27S](#) [75-69224-5S](#) [7717-8DAP](#)
[85043GULPR](#) [85047GULPT](#) [85048GBESR](#) [FPK-02-R10](#) [PMS27488-001-01](#) [1-18023-0](#) [H-118-2](#) [D83999/20WC8SN](#) [DB1](#) [1302030464](#)
[DC31-14W19PN](#) [DC31-14W19PW](#) [DC32-18W32SN](#) [DC36-18-32SW](#) [DC36-18-32SX](#) [DC37-14-19PW](#) [DC37-22-21PX](#) [1302010957](#)
[1302263564](#) [1302340393](#) [1404-0016-78](#) [14540](#) [149331-9811](#) [1561-60](#) [1566](#) [1566](#) [BR16A](#) [HS5659MB98PN](#) [NT20SATT01](#) [22594-8](#) [KBB-](#)
[141](#) [89078GBEPR](#) [915060](#) [SF4011-60101](#) [97-CS-50](#) [1671](#) [LS10215R14-15PN](#) [LS10215R14-7PN L/C](#) [1855-54](#)