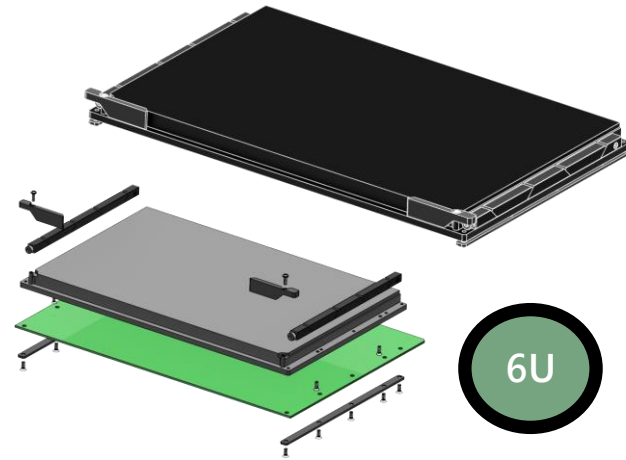
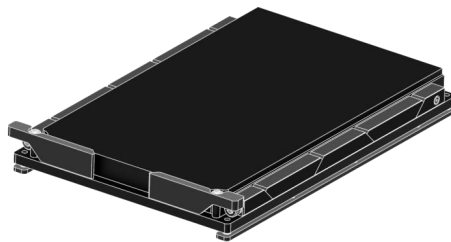
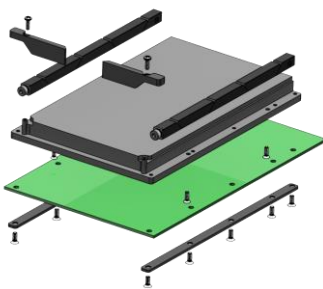


Heat Frame Assembly Kit

Wakefield Thermal's Conduction Cooled Heat Frame Assembly Kits are manufactured from solid aluminum and allow customers to machine to the precise topography or skyline of their electronic printed circuit board while being ruggedized.

When integrated with wedgelocks and ejectors, this product allows VME, cPCI and other boards to fit within conduction cooled chassis slot dimensions with zero insertion force. Heat frames can be designed for compliance with many industry standards. Contact Wakefield Thermal's Coolvation Team for custom design assistance.



PART #	DESCRIPTION
HF-3U-VME	3U VME Heat Frame Blank Assembly Kit
HF-6U-VME	6U VME Heat Frame Blank Assembly Kit
HF-3U-cPCI	3U cPCI Heat Frame Blank Assembly Kit
HF-6U-cPCI	6U cPCI Heat Frame Blank Assembly Kit

Features & Benefits:

Kit includes the following:

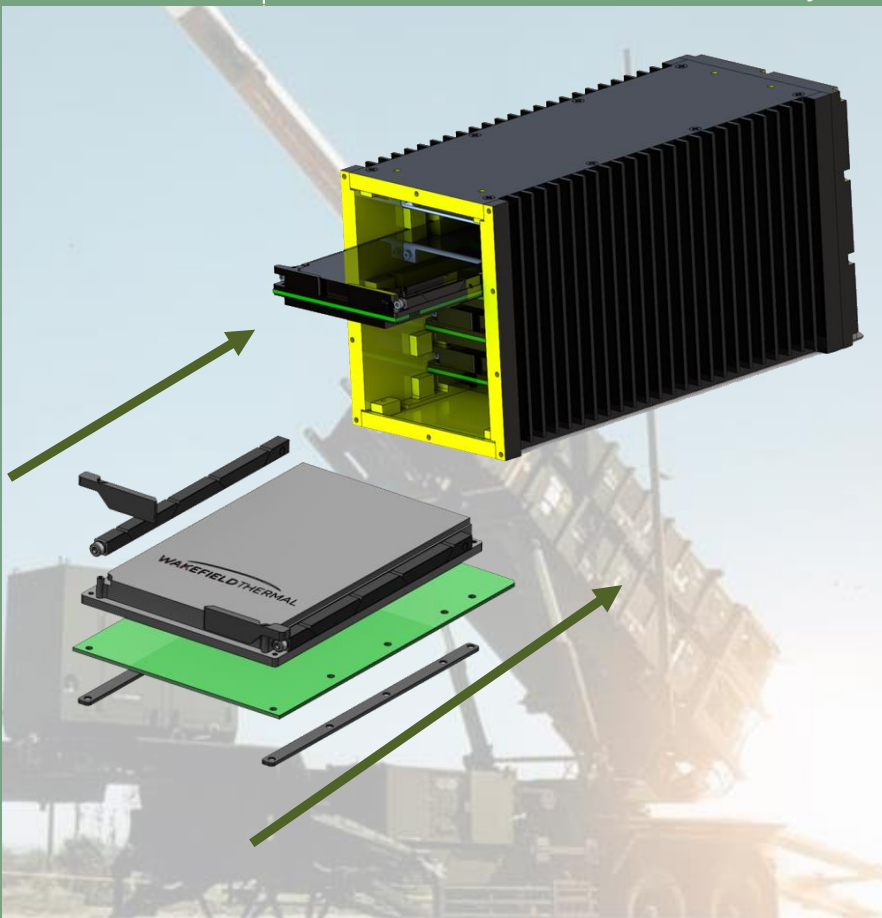
- 1 3U/6U Heat Frame Blank
- 2 Wedglock Card Retainers
- 2 Ejector Handles (left & right)
- 2 VME/cPCI Thermal Brackets
- Mounting Hardware

Allows for custom machining to meet PCB specifications while working with a system integrated solution

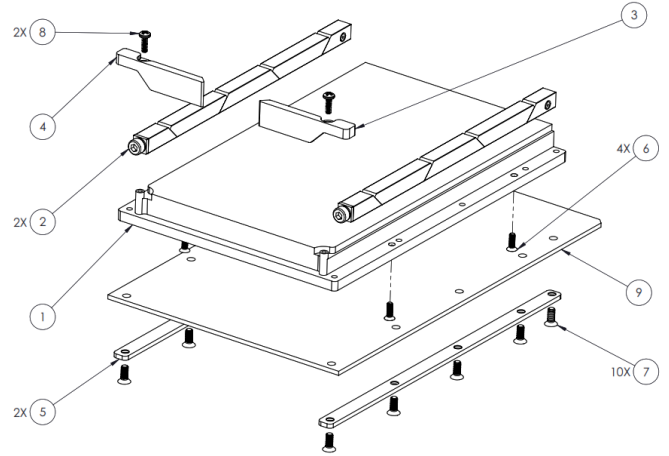
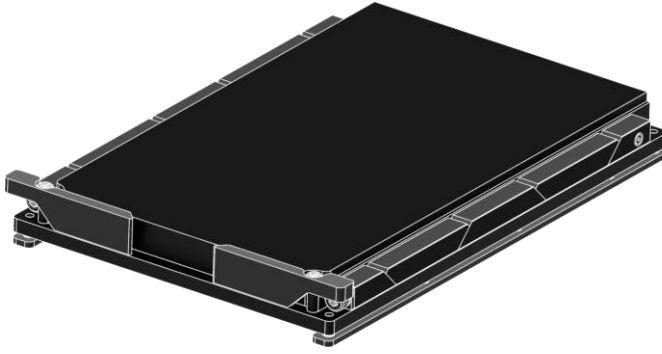
Ideal for Rugged and Embedded Applications



CompactPCI®



HF-3U-VME



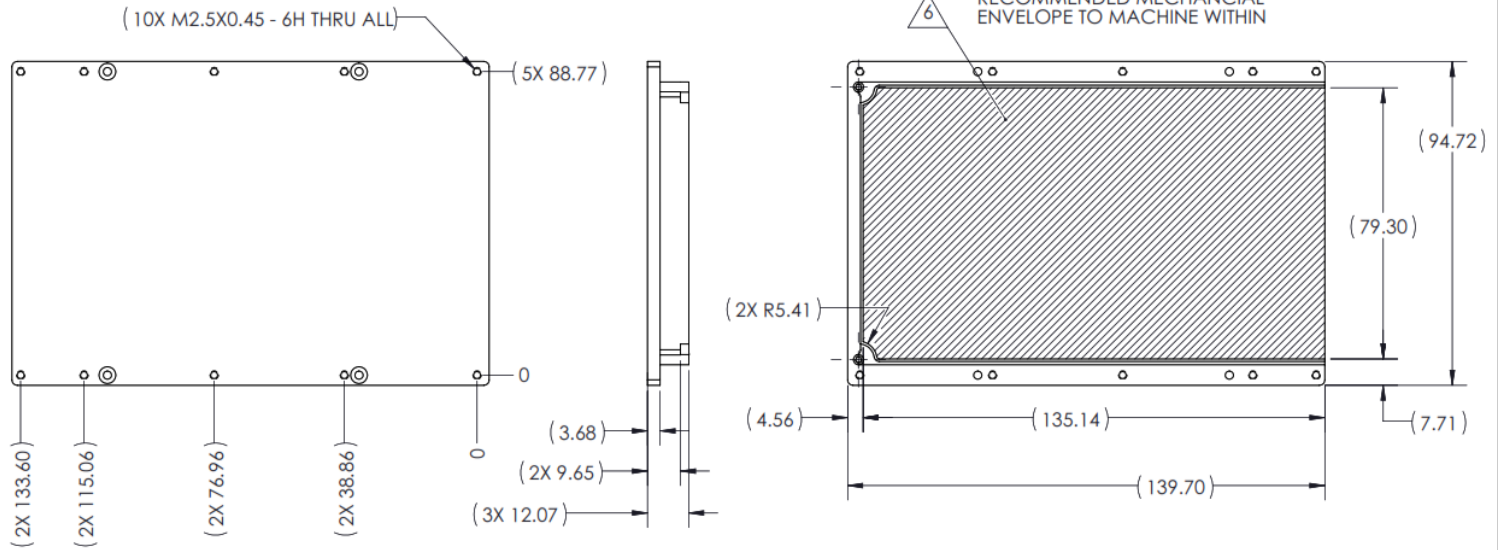
ITEM NO.	PART NUMBER	DESCRIPTION	QTY.
1	128791	VME HEAT FRAME 3U BLANK	1
2	422C-480UMB	WEDGELOCK	2
3	451E-150RB	EJECTOR RIGHT	1
4	451E-150LB	EJECTOR LEFT	1
5	128862	THERMAL BRACKET VME	2

ITEM NO.	PART NUMBER	DESCRIPTION	QTY.
6	NA	FH SCREW, M2 X 6MM SS	4
7	NA	FH SCREW, M2.5 X 6MM SS	10
8	NA	PH SCREW, M2 X 6MM SS	2
9	PCB NOT INCLUDED	PCB FOR ILLUSTRATION PURPOSES ONLY	1

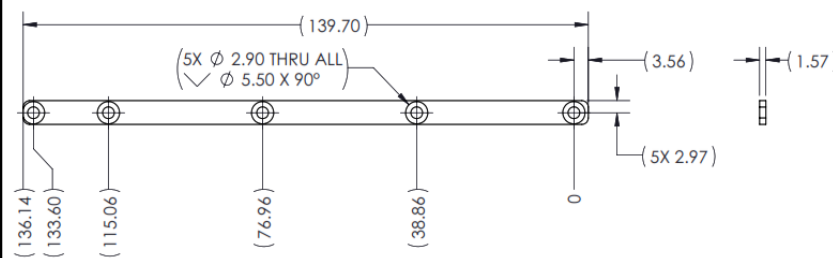
128791 VME HEAT FRAME 3U BLANK

NOTES

1. THIS IS A MACHINED PART.
2. MATERIAL: AL6061-T6.
3. FINISH: BLACK ANODIZE PER MIL-A-8625, TYPE II, CLASS 2.
4. ALL DIMENSIONS ARE MM.
5. DIMENSIONS PROVIDED TO SUPPORT USER PCB DEFINITION. 3D MODEL AVAILABLE BY REQUEST.
6. PACKAGED AS UNASSEMBLED KIT TO ALLOW FOR SECONDARY MACHINING PER CUSTOMER PCB LAYOUT.
7. CONTACT US AT --- TBD EMAIL ---



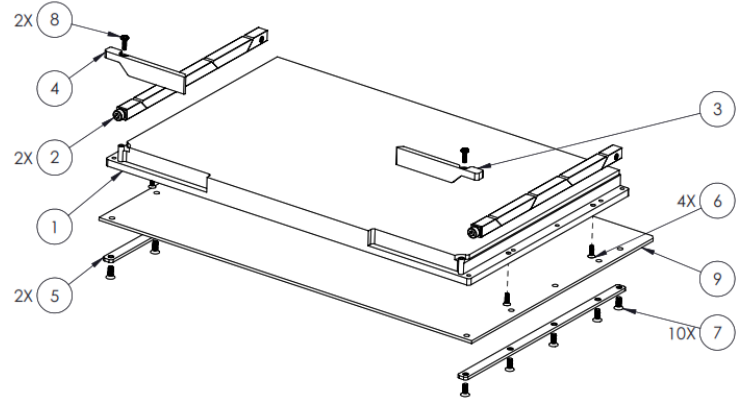
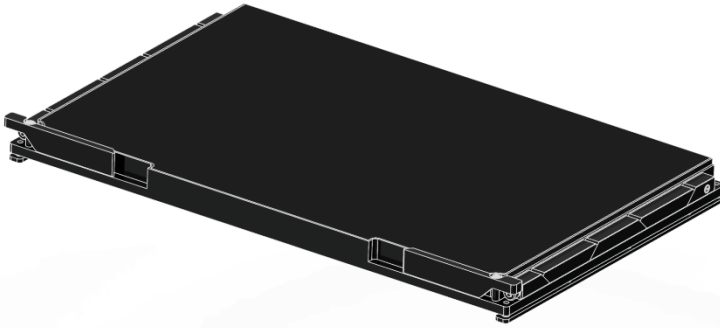
128862 THERMAL BRACKET VME



Need Design Assistance?
Wakefieldthermal.com



HF-6U-VME



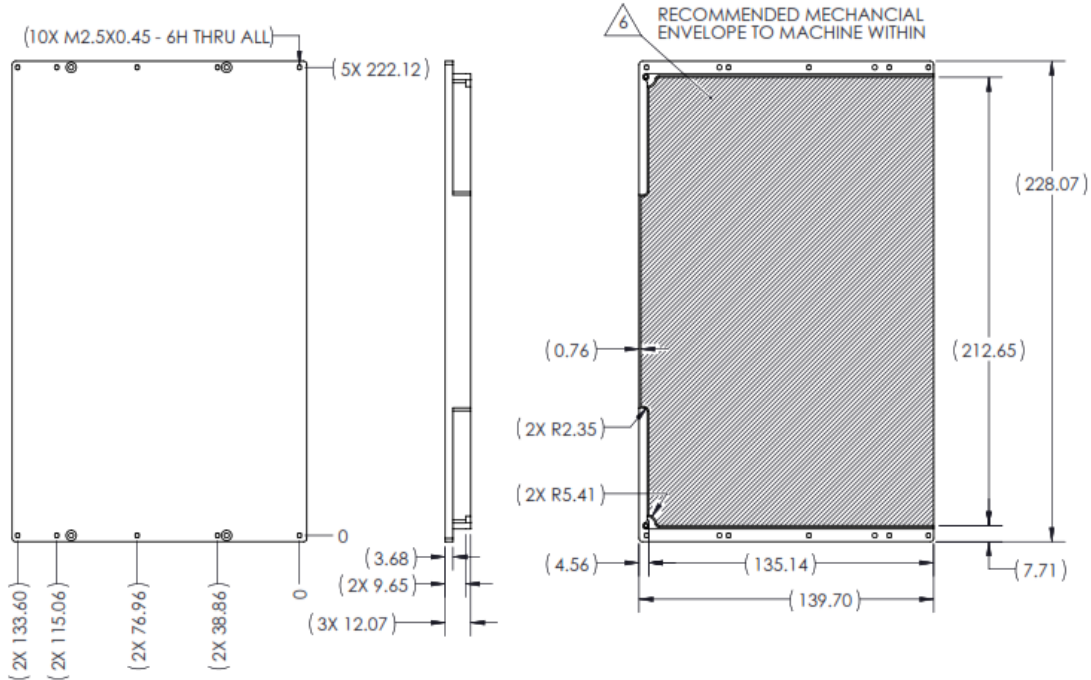
ITEM NO.	PART NUMBER	DESCRIPTION	QTY.
1	128793	VME HEAT FRAME 6U BLANK	1
2	422C-480UMB	WEDGELOCK	2
3	451E-200RB	EJECTOR RIGHT	1
4	451E-200LB	EJECTOR LEFT	1
5	128862	THERMAL BRACKET VME	2

ITEM NO.	PART NUMBER	DESCRIPTION	QTY.
6	NA	FH SCREW, M2 X 6MM SS	4
7	NA	FH SCREW, M2.5 X 6MM SS	10
8	NA	PH SCREW, M2 X 6MM SS	2
9	PCB NOT INCLUDED	PCB FOR ILLUSTRATION PURPOSES ONLY	1

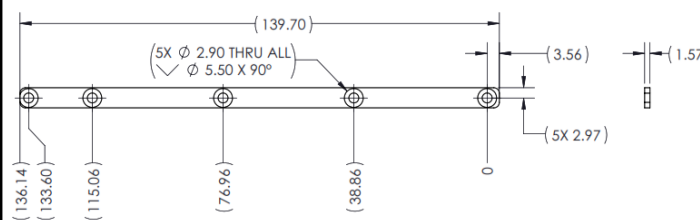
128793 VME HEAT FRAME 6U BLANK

NOTES

1. THIS IS A MACHINED PART.
2. MATERIAL: AL6061-T6.
3. FINISH: BLACK ANODIZE PER MIL-A-8625, TYPE II, CLASS 2.
4. ALL DIMENSIONS ARE MM.
5. DIMENSIONS PROVIDED TO SUPPORT USER PCB DEFINITION. 3D MODEL AVAILABLE BY REQUEST.
6. PACKAGED AS UNASSEMBLED KIT TO ALLOW FOR SECONDARY MACHINING PER CUSTOMER PCB LAYOUT.
7. CONTACT US AT --- TBD EMAIL ---

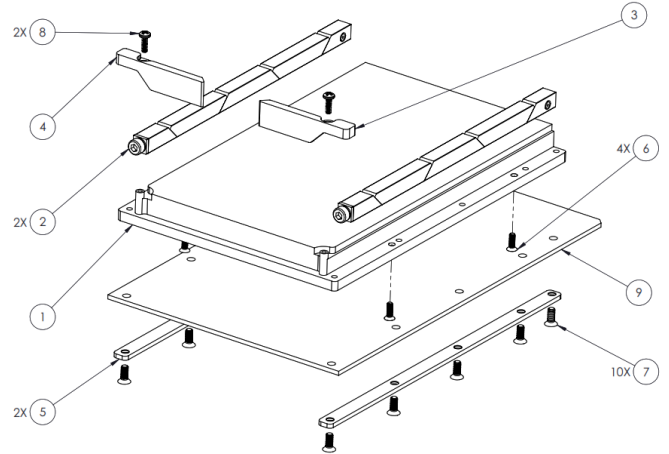
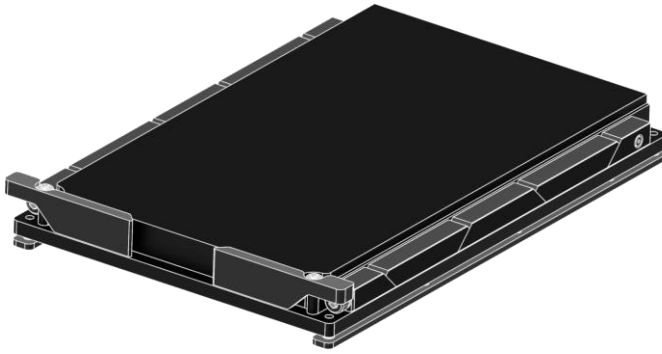


128862 THERMAL BRACKET VME



Need Design Assistance?
Wakefieldthermal.com

HF-3U-cPCI



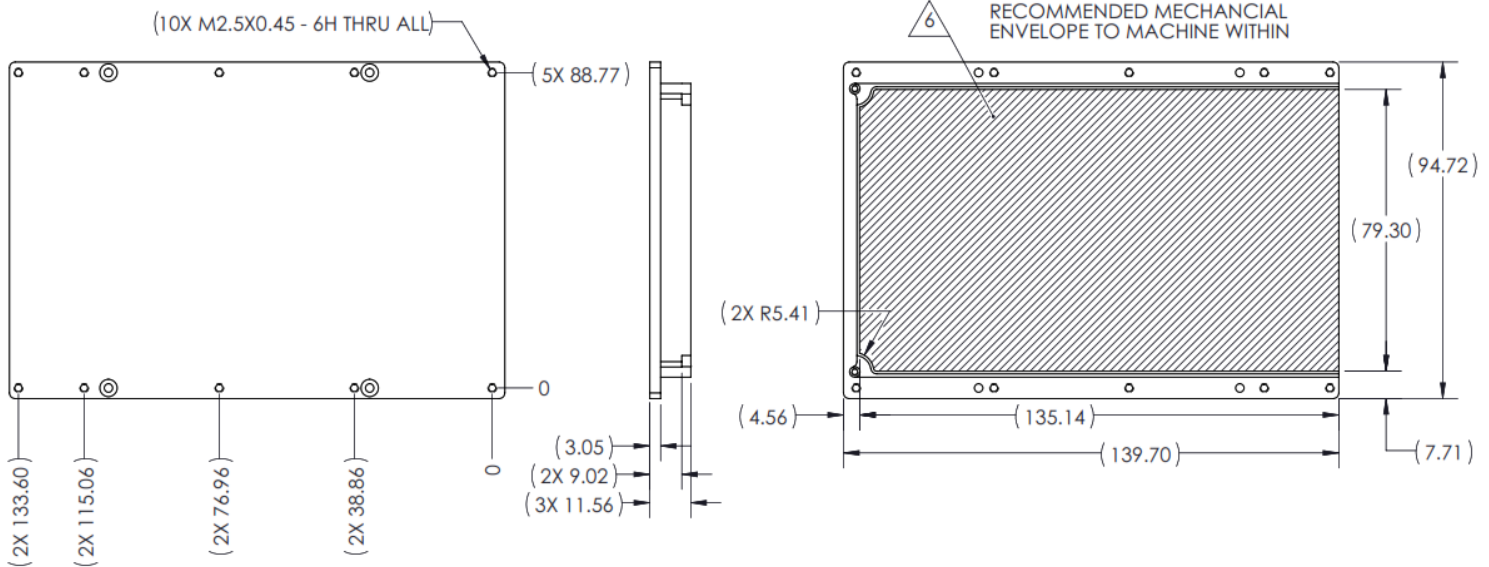
ITEM NO.	PART NUMBER	DESCRIPTION	QTY.
1	128797	cPCI HEAT FRAME 3U BLANK	1
2	422C-480UMB	WEDGELOCK	2
3	451E-150RB	EJECTOR RIGHT	1
4	451E-150LB	EJECTOR LEFT	1
5	128954	THERMAL BRACKET cPCI	2

ITEM NO.	PART NUMBER	DESCRIPTION	QTY.
6	NA	FH SCREW, M2 X 6MM SS	4
7	NA	FH SCREW, M2.5 X 6MM SS	10
8	NA	PH SCREW, M2 X 6MM SS	2
9	PCB NOT INCLUDED	PCB FOR ILLUSTRATION PURPOSES ONLY	1

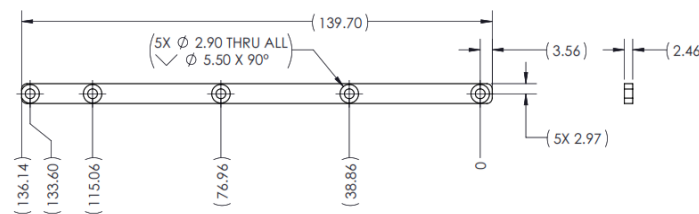
128797 cPCI HEAT FRAME 3U BLANK

NOTES

1. THIS IS A MACHINED PART.
2. MATERIAL: AL6061-T6.
3. FINISH: BLACK ANODIZE PER MIL-A-8625, TYPE II, CLASS 2.
4. ALL DIMENSIONS ARE MM.
5. DIMENSIONS PROVIDED TO SUPPORT USER PCB DEFINITION. 3D MODEL AVAILABLE BY REQUEST.
6. PACKAGED AS UNASSEMBLED KIT TO ALLOW FOR SECONDARY MACHINING PER CUSTOMER PCB LAYOUT.
7. CONTACT US AT --- TBD EMAIL ---



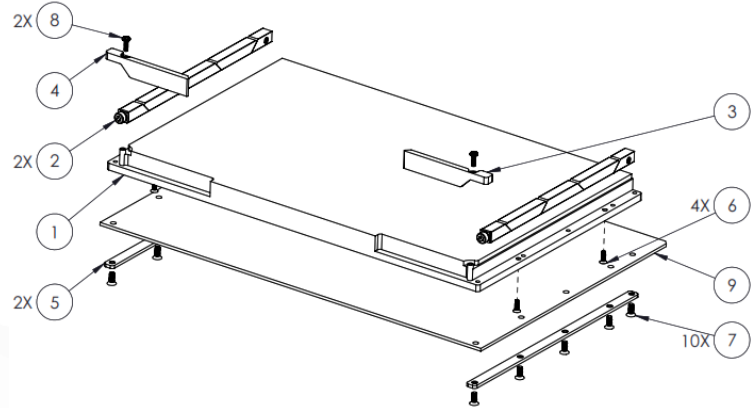
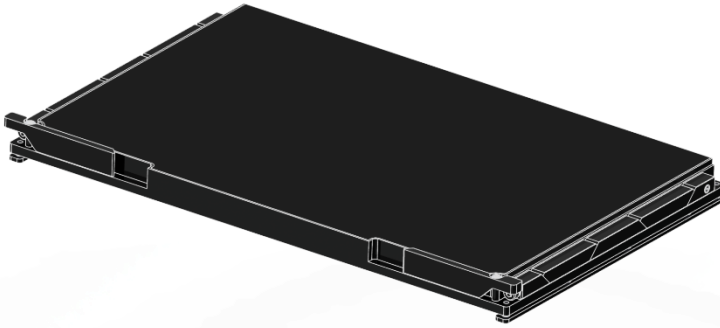
128954 THERMAL BRACKET cPCI



CompactPCI®

Need Design Assistance?
Wakefieldthermal.com

HF-6U-cPCI



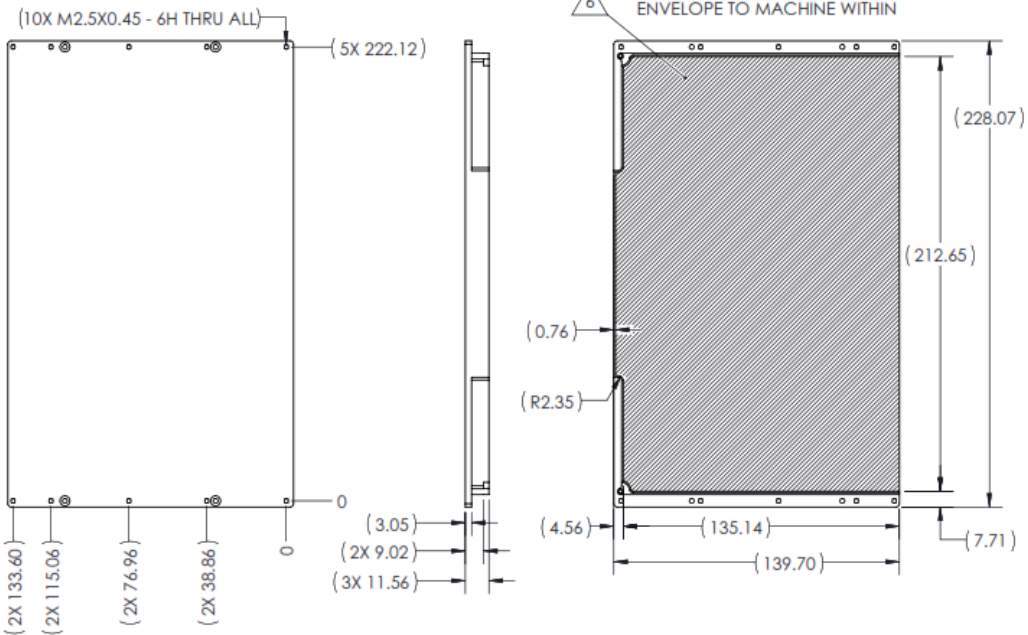
ITEM NO.	PART NUMBER	DESCRIPTION	QTY.
1	128799	cPCI HEAT FRAME 6U BLANK	1
2	422C-480UMB	WEDGELOCK	2
3	451E-200RB	EJECTOR RIGHT	1
4	451E-200LB	EJECTOR LEFT	1
5	128954	THERMAL BRACKET cPCI	2

ITEM NO.	PART NUMBER	DESCRIPTION	QTY.
6	NA	FH SCREW, M2 X 6MM SS	4
7	NA	FH SCREW, M2.5 X 6MM SS	10
8	NA	PH SCREW, M2 X 6MM SS	2
9	PCB NOT INCLUDED	PCB FOR ILLUSTRATION PURPOSES ONLY	1

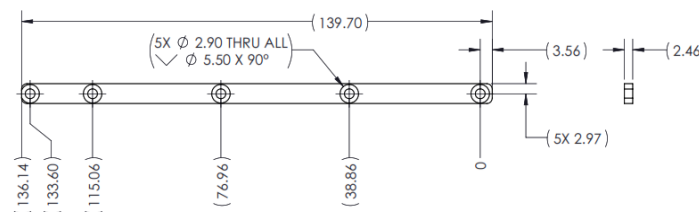
128799 cPCI HEAT FRAME 6U BLANK

NOTES

1. THIS IS A MACHINED PART.
2. MATERIAL: AL6061-T6.
3. FINISH: BLACK ANODIZE PER MIL-A-8625, TYPE II, CLASS 2.
4. ALL DIMENSIONS ARE MM.
5. DIMENSIONS PROVIDED TO SUPPORT USER PCB DEFINITION. 3D MODEL AVAILABLE BY REQUEST.
6. PACKAGED AS UNASSEMBLED KIT TO ALLOW FOR SECONDARY MACHINING PER CUSTOMER PCB LAYOUT.
7. CONTACT US AT --- TBD EMAIL ---



128954 THERMAL BRACKET cPCI



Need Design Assistance?
Wakefieldthermal.com

X-ON Electronics

Largest Supplier of Electrical and Electronic Components

Click to view similar products for [Thermal Interface Products](#) category:

Click to view products by [Wakefield](#) manufacturer:

Other Similar products are found below :

[7721-9PPS](#) [FGN80-2](#) [PFM-172-60](#) [A-40](#) [174-9-230P](#) [9601-7](#) [5300AC](#) [1.500G](#) [08133](#) [V6622C](#) [TVQF-1225-07S](#) [TP0001](#) [SC80-W2](#)
[A17713-06](#) [A17713-05](#) [A17653-20](#) [A17690-06](#) [A17775-03](#) [A17690-05](#) [A17653-02](#) [A17689-02](#) [A17690-04](#) [A17775-05](#) [A17775-06](#)
[A17690-08](#) [A17690-02](#) [A17689-06](#) [A17653-06](#) [A17690-12](#) [A17653-03](#) [A17689-03](#) [A17752-13](#) [A17752-04](#) [A17752-07](#) [A17634-12](#) [19-](#)
[36565-0001-1](#) [A17752-09](#) [22000-001A](#) [A17752-20](#) [A17752-16](#) [A17752-12](#) [A17653-04](#) [A17634-10](#) [A17634-09](#) [A17634-07](#) [A17633-20](#)
[A17633-07](#) [A17633-03](#) [A17156-02](#) [TA-1.75](#) [30195](#)