



fitted with

- work equipment**
- connected load**
- Power consumption**
- luminous flux**
- luminous efficacy**
- light colour**
- color rendering index (CRI)**

- Glare-free**
- System of protection**
- class of protection**
- usage**
- luminaire body**

- lamp cover**
- tubular sections**

balance of articulation joints

- weight (net)**
- mains lead**

Fastening

LED

- Energy efficiency category A+
- electronic transformer
- 100-240 V; 50/60 Hz
- approx. 24 W
- approx. 1300 lm
- approx. 54 lm/W
- neutral white, approx. 5000 K
- > 80
- conical prismatic screen
- IP 20
- I
- multi-function switch
- sectional aluminium, anodised, aluminium coloured
- anodised
- acrylic clear
- tubular aluminium section, anodized, aluminium coloured
- anodised
- spring
- approx. 1.9 kg
- approx. 3,4 m; mains plug
- CEE 7/VII
- screw-down flange, table clamp (accessory), wall bracket (accessory)

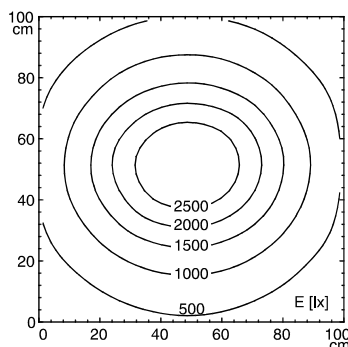


CEE 7/VII

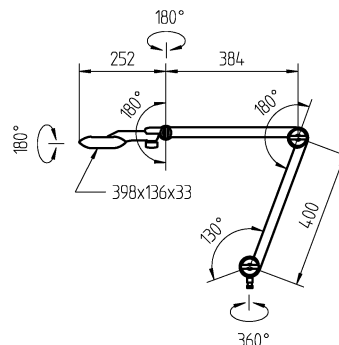
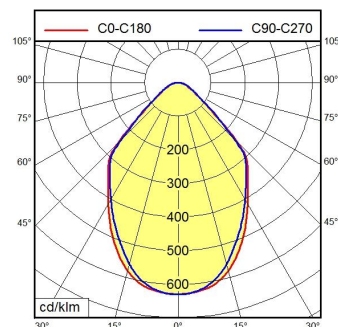
illuminance

distance: 50 cm

Em: 1137 lx
Emax: 3053 lx
Emin: 159 lx



luminous intensity



X-ON Electronics

Largest Supplier of Electrical and Electronic Components

Click to view similar products for [Waldmann manufacturer](#):

Other Similar products are found below :

[112887037-00076065](#) [112577000-00539774](#) [113458000-00668976](#) [113472000-00691461](#) [408001403-00671626](#) [190007019-00014904](#)
[113163000-00662717](#) [113021000-00564565](#) [226108019-00610754](#)