

# APPROVAL SHEET

## MULTILAYER CERAMIC CAPACITORS

Middle & High Voltage Series (200V to 4kV)

0402 to 1812 Sizes

NP0 & X7R Dielectrics

Halogen Free & RoHS compliance



\*Contents in this sheet are subject to change without prior notice.

## 1. INTRODUCTION

WTC middle and high voltage series MLCC is designed by a special internal electrode pattern, which can reduce voltage concentrations by distributing voltage gradients throughout the entire capacitor. This special design also affords increased capacitance values in a given case size and voltage rating.

Capacitors with X7R dielectrics are not intended for AC line filtering applications. Capacitors may require protective surface coating to prevent external arcing.

## 2. FEATURES

- High voltage in a given case size.
- High stability and reliability.

## 3. APPLICATIONS

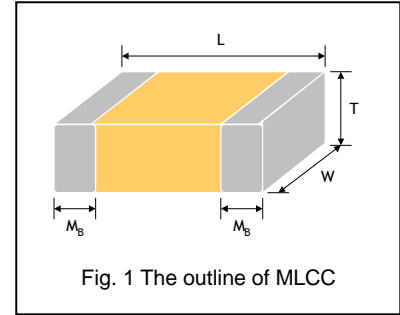
- Snubbers in high frequency power converters.
- High voltage coupling/DC blocking.
- DC-DC converters.
- Back-lighting inverters

## 4. HOW TO ORDER

<u>1808</u>	<u>N</u>	<u>100</u>	<u>J</u>	<u>202</u>	<u>C</u>	<u>I</u>
Size	Dielectric	Capacitance	Tolerance	Rated voltage	Termination	Packaging
Inch (mm) <b>0402</b> (1005) <b>0603</b> (1608) <b>0805</b> (2012) <b>1206</b> (3216) <b>1210</b> (3225) <b>1808</b> (4520) <b>1812</b> (4532)	<b>N</b> =NP0 (COG) <b>B</b> =X7R	Two significant digits followed by no. of zeros. And R is in place of decimal point.  eg.: 0R5=0.5pF 1R0=1.0pF 100=10x10 <sup>0</sup> =10pF	<b>B</b> =±0.1pF <b>C</b> =±0.25pF <b>D</b> =±0.5pF <b>F</b> =±1% <b>G</b> =±2% <b>J</b> =±5% <b>K</b> =±10% <b>M</b> =±20%	Two significant digits followed by no. of zeros. And R is in place of decimal point.  <b>201</b> =200 VDC <b>251</b> =250 VDC <b>401</b> =400 VDC <b>451</b> =450 VDC <b>501</b> =500 VDC <b>631</b> =630 VDC <b>102</b> =1000 VDC <b>152</b> =1500 VDC <b>202</b> =2000 VDC <b>252</b> =2500 VDC <b>302</b> =3000 VDC <b>402</b> =4000 VDC	<b>C</b> =Cu/Ni/Sn	<b>T</b> =7" reeled <b>G</b> =13" reeled

### 5. EXTERNAL DIMENSIONS

Size Inch (mm)	L (mm)	W (mm)	T (mm)/Symbol	Remark	M <sub>B</sub> (mm)
0402 (1005)	1.00±0.05	0.50±0.05	0.50±0.05	N #	0.25 +0.05/-0.10
0603(1608)	1.60±0.10	0.80±0.10	0.80±0.07	S	0.40±0.15
	1.60	0.80	0.80	X	
	+0.15/-0.10	+0.15/-0.10	+0.15/-0.10		
0805 (2012)	2.00±0.15	1.25±0.10	0.60±0.10	A	0.50±0.20
			0.80±0.10	B	
			1.25±0.10	D #	
	2.00±0.20	1.25±0.20	I #		
1206 (3216)	3.20±0.15	1.60±0.15	0.80±0.10	B	0.60±0.20 (0.5±0.25)*
			0.95±0.10	C #	
			1.25±0.10	D #	
	3.20±0.20	1.60±0.20	1.60±0.20	G #	
	3.20±0.3/-0.1	1.60±0.3/-0.1	1.60±0.3/-0.1	P #	
1210 (3225)	3.20±0.30	2.50±0.20	0.95±0.10	C #	0.75±0.25
			1.25±0.10	D #	
			1.60±0.20	G #	
	3.20±0.40	2.50±0.30	2.00±0.20	K #	
			2.50±0.30	#	
			2.50±0.30**	2.50±0.50**	
1808 (4520)	4.50±0.5/-0.3	2.03±0.25	1.25±0.10	D #	0.50±0.25
			1.60±0.20	G #	
			2.00±0.20	K #	
1812 (4532)	4.50±0.5/-0.3	3.20±0.30	1.25±0.10	D #	0.50±0.25
			1.60±0.20	G #	
			2.00±0.20	K #	
		3.20±0.40	2.50±0.30	M #	
			2.80±0.30	U #	



# Reflow soldering only is recommended.

\* For 1206\_1000V ~3000V products.

\*\* For 1210(100V)/Cap>1µF or 1210(250V)/Cap>0.47µF or 1210(400V~630V)/Cap>0.22µF

### 6. GENERAL ELECTRICAL DATA

<b>Dielectric</b>	NPO	X7R
<b>Size</b>	0402, 0603, 0805, 1206, 1210, 1808, 1812	
<b>Capacitance*</b>	0.1pF to 0.022µF	100pF to 1.0µF
<b>Capacitance tolerance***</b>	Cap≤5pF: C (±0.25pF) 5pF<Cap<10pF: D (±0.5pF) Cap≥10pF: F (±1%), G (±2%), J (±5%),K (±10%)	J (±5%) <sup>#1</sup> , K (±10%), M (±20%)
<b>Rated voltage (WVDC)</b>	200V to 4000V	
<b>Q/DF*</b>	Cap<30pF: Q≥400+20C Cap≥30pF: Q≥1000	DF≤2.5%
<b>Insulation resistance at Ur**</b>	Ur=200~630V: ≥10GΩ or RxC≥100Ω·F whichever is smaller Ur=1000~3000V: ≥10GΩ	
<b>Dielectric strength</b>	200~300V: ≥2 x WVDC 400V~450V: ≥1.2 x WVDC 500~999V: ≥1.5 x WVDC 1000~3000V: ≥1.2 x WVDC 4000: ≥1.1 x WVDC	
<b>Operating temperature</b>	-55 to +125°C	
<b>Capacitance characteristic</b>	±30ppm	±15%
<b>Termination</b>	Ni/Sn (lead-free termination)	

#1: X7R products can provide optional J(±5%) capacitance tolerance.

\* Measured at the condition of 30~70% related humidity.

NPO: Apply 1.0±0.2Vrms, 1.0MHz±10% for Cap≤1000pF and 1.0±0.2Vrms, 1.0kHz±10% for Cap>1000pF, 25°C at ambient temperature  
X7R, X5R: Apply 1.0±0.2Vrms, 1.0kHz±10%, at 25°C am bient temperature.

\*\* Preconditioning for Class II MLCC: Perform a heat treatment at 150±10°C for 1 hour, then leave in a mbient condition for 24±2 hours before measurement.

**7. CAPACITANCE RANGE (MIDDLE VOLTAGE - 200V to 630V)**

**7-1 NP0 Dielectric**

DIELECTRIC	NP0																											
	SIZE		0402				0603				0805				1206				1210				1808		1812			
	RATED VOLTAGE (VDC)		200	250	200	250	200	250	500	630	200	250	500	630	200	250	500	630	200	250	500	630	500	630	200	250	500	630
0.1pF (0R1)	N	N																										
0.2pF (0R2)	N	N																										
0.3pF (0R3)	N	N																										
0.4pF (0R4)	N	N																										
0.5pF (0R5)	N	N	S	S	A	A	A	A																				
1.0pF (1R0)	N	N	S	S	A	A	A	A																				
1.2pF (1R2)	N	N	S	S	A	A	A	A																				
1.5pF (1R5)	N	N	S	S	A	A	A	A	B	B	B	B																
1.8pF (1R8)	N	N	S	S	A	A	A	A	B	B	B	B									D	D						
2.2pF (2R2)	N	N	S	S	A	A	A	A	B	B	B	B									D	D						
2.7pF (2R7)	N	N	S	S	A	A	A	A	B	B	B	B									D	D						
3.3pF (3R3)	N	N	S	S	A	A	A	A	B	B	B	B									D	D						
3.9pF (3R9)	N	N	S	S	A	A	A	A	B	B	B	B									D	D						
4.7pF (4R7)	N	N	S	S	A	A	A	A	B	B	B	B									D	D						
5.6pF (5R6)	N	N	S	S	A	A	A	A	B	B	B	B									D	D						
6.8pF (6R8)	N	N	S	S	A	A	A	A	B	B	B	B									D	D						
8.2pF (8R2)	N	N	S	S	A	A	A	A	B	B	B	B									D	D						
10pF (100)	N	N	S	S	A	A	A	A	B	B	B	B	C	C	C	C					D	D	D	D	D	D	D	D
12pF (120)	N	N	S	S	A	A	A	A	B	B	B	B	C	C	C	C					D	D	D	D	D	D	D	D
15pF (150)	N	N	S	S	A	A	A	A	B	B	B	B	C	C	C	C					D	D	D	D	D	D	D	D
18pF (180)	N	N	S	S	A	A	A	A	B	B	B	B	C	C	C	C					D	D	D	D	D	D	D	D
22pF (220)	N	N	S	S	A	A	A	A	B	B	B	B	C	C	C	C					D	D	D	D	D	D	D	D
27pF (270)	N	N	S	S	A	A	A	A	B	B	B	B	C	C	C	C					D	D	D	D	D	D	D	D
33pF (330)	N	N	S	S	A	A	A	A	B	B	B	B	C	C	C	C					D	D	D	D	D	D	D	D
39pF (390)	N	N	S	S	A	A	A	A	B	B	B	B	C	C	C	C					D	D	D	D	D	D	D	D
47pF (470)	N	N	S	S	A	A	A	A	B	B	B	B	C	C	C	C					D	D	D	D	D	D	D	D
56pF (560)	N	N	S	S	A	A	A	A	B	B	B	B	C	C	C	C					D	D	D	D	D	D	D	D
68pF (680)	N		S	S	A	A	A	A	B	B	B	B	C	C	C	C					D	D	D	D	D	D	D	D
82pF (820)	N		S	S	A	A	A	A	B	B	B	B	C	C	C	C					D	D	D	D	D	D	D	D
100pF (101)	N		S	S	A	B	B	B	B	B	B	B	C	C	C	C					D	D	D	D	D	D	D	D
120pF (121)			S	S	A	B	D	D	B	B	B	B	C	C	C	C					D	D	D	D	D	D	D	D
150pF (151)			S	S	B	D	D	D	B	B	B	B	C	C	C	C					D	D	D	D	D	D	D	D
180pF (181)			S	S	B	D	D	D	B	B	B	B	C	C	C	C					D	D	D	D	D	D	D	D
220pF (221)			S	S	D	D	D	D	B	B	B	B	C	C	C	C					D	D	D	D	D	D	D	D
270pF (271)			X	X	D	D	D	D	B	C	C	C	C	C	C	C					K	K	D	D	D	D	D	D
330pF (331)			X	X	D	D	D	D	B	C	C	C	C	C	C	C					K	K	D	D	D	D	D	D
390pF (391)			X	X	D	D	D	D	B	C	C	C	C	C	C	C					K	K	D	D	D	D	D	D
470pF (471)			X	X	D	D	I	I	C	C	C	C	C	C	C	C					K	K	D	D	D	D	D	D
560pF (561)			X	X	D	D	I	I	C	D	D	D	C	C	C	C					K	K	D	D	D	D	D	D
680pF (681)			X	X	D	D	I	I	C	D	D	D	C	C	C	C					K	K	D	D	D	D	D	D
820pF (821)			X	X	D	D	I	I	C	G	G	G	C	C	C	C					K	K	D	D	D	D	D	D
1,000pF (102)			X	X	D	D	I	I	C	G	G	G	D	D	D	D					K	K	D	D	D	D	D	D
1,200pF (122)			X	X	D	D	I	I	C	G	G	G	D	D	D	D					K	K	D	D	D	D	D	D
1,500pF (152)			X	X	D	D	I	I	D	G	G	G	D	D	D	D					K	K	D	D	D	D	D	D
1,800pF (182)			X	X	D	D	I	I	D	G	G	G	D	D	D	D					K	K	D	D	D	D	D	D
2,200pF (222)			X	X	D	D	I	I	D	G	G	G	D	D	D	D					K	K	D	D	D	D	D	D
2,700pF (272)					I	I			D	G	G	G	D	D	D	D					K	K	D	D	D	D	D	D
3,300pF (332)					I	I			D	G	G	G	D	D	D	D					K	K	D	D	D	D	D	D
3,900pF (392)					I	I			D	G	G	G	D	D	D	D							D	D	D	D	D	D
4,700pF (472)					I	I			D	G	G	G	G	G	G	G							D	D	D	D	D	D
5,600pF (562)									G	G	G	G	G	G	G	G							D	D	D	D	D	D
6,800pF (682)									G	G	G	G	G	G	G	G							D	D	D	D	D	D
8,200pF (822)									G	G	G	G	G	G	G	G									D	D	D	D
0.010μF (103)									G	G	G	G	G	G	K	K										D	D	
0.012μF (123)														K	K	M	M									G	G	
0.015μF (153)														K	K	M	M									G	G	
0.018μF (183)														K	K	M	M									K	K	
0.022μF (223)														K	K	M	M									K	K	
0.027μF (273)														K	K	M	M											
0.033μF (333)														K	K	M	M											
0.039μF (393)														K	K													
0.047μF (473)														K	K													

The letter in cell is expressed the symbol of product thickness.

Multilayer Ceramic Capacitors

Approval Sheet

7-2 X7R Dielectric

DIELECTRIC		X7R																								
SIZE		0603				0805				1206				1210				1808		1812						
RATED VOLTAGE (VDC)		200	250	200	250	500	630	200	250	400	450	500	630	200	250	400	450	500	630	500	630	200	250	450	500	630
Capacitance	100pF (101)	X	X	B	B	B	B	D	D			D	D	D	D			D	D							
	120pF (121)	X	X	B	B	B	B	D	D			D	D	D	D			D	D							
	150pF (151)	X	X	B	B	B	B	D	D			D	D	D	D			D	D	D	D					
	180pF (181)	X	X	B	B	B	B	D	D			D	D	D	D			D	D	D	D					
	220pF (221)	X	X	B	B	B	B	D	D			D	D	D	D			D	D	D	D					
	270pF (271)	X	X	B	B	B	B	D	D			D	D	D	D			D	D	D	D					
	330pF (331)	X	X	B	B	B	B	D	D			D	D	D	D			D	D	D	D					
	390pF (391)	X	X	B	B	B	B	D	D			D	D	D	D			D	D	D	D					
	470pF (471)	X	X	B	B	B	B	D	D			D	D	D	D			D	D	D	D					
	560pF (561)	X	X	B	B	B	B	D	D			D	D	D	D			D	D	D	D					
	680pF (681)	X	X	B	B	B	B	B	B			B	B	C	C			D	D	D	D					
	820pF (821)	X	X	B	B	B	B	D	D			D	D	C	C			D	D	D	D					
	1,000pF (102)	X	X	B	B	B	B	B	B			D	D	C	C			D	D	D	D	D	D	D	D	
	1,200pF (122)	X	X	B	B	B	B	D	D			D	D	C	C			D	D	D	D	D	D	D	D	
	1,500pF (152)	X	X	B	B	B	B	D	D			B	B	C	C			D	D	D	D	D	D	D	D	
	1,800pF (182)	X	X	B	B	B	B	D	D			D	D	C	C			D	D	D	D	D	D	D	D	
	2,200pF (222)	X	X	B	B	B	B	B	B			D	D	C	C			D	D	D	D	D	D	D	D	
	2,700pF (272)	X	X	B	B	B	B	D	D			D	D	C	C			D	D	D	D	D	D	D	D	
	3,300pF (332)	X	X	B	B	B	B	D	D			D	D	C	C			D	D	D	D	D	D	D	D	
	3,900pF (392)	X	X	B	B	B	B	D	D			D	D	C	C			D	D	D	D	D	D	D	D	
	4,700pF (472)	X	X	B	B	D	D	D	D			D	D	C	C			D	D	D	D	D	D	D	D	
	5,600pF (562)	X	X	D	D	D	D	D	D			D	D	C	C			D	D	K	K	D	D	D	D	
	6,800pF (682)	X	X	D	D	D	D	D	D			D	D	C	C			D	D	K	K	D	D	D	D	
	8,200pF (822)	X	X	D	D	D	D	D	D			D	D	C	C			D	D	K	K	D	D	D	D	
	0.010μF (103)	X	X	D	D	D	D	B	B			C	C	C	C			D	D	K	K	D	D	D	D	
	0.012μF (123)			D	D	D	D	D	D			D	D	C	C			D	D	K	K	D	D	D	D	
	0.015μF (153)			D	D	D	D	D	D			D	D	C	C			D	D	K	K	D	D	D	D	
	0.018μF (183)			D	D	D	D	D	D			D	D	C	C			D	D	K	K	D	D	D	D	
	0.022μF (223)			D	D	D	D	D	D			G	G	C	C			D	D	K	K	D	D	D	D	
	0.027μF (273)			D	D	D	D	D	D			G	G	C	C			G	G	K	K	D	D	D	D	
0.033μF (333)			D	D	D		G	G			G	G	C	C			G	G	K	K	D	D	D	D		
0.039μF (393)			D	D			G	G			G	G	C	C			G	G	K	K	D	D	D	D		
0.047μF (473)			D	D			G	G			G	G	D	D			G	G	K	K	D	D	D	D		
0.056μF (563)			D	D			G	G			G	G	D	D			G	G	K	K	D	D	K	K		
0.068μF (683)			D	D			G	G	G	G	G	G					K	K	K	K	D	D	K	K		
0.082μF (823)			D				G	G	G	G	G	G					G	G			K	K	K	K		
0.10μF (104)			D				G	G	G	G							G	G			K	K				
0.12μF (124)							G	G									G	G	M	M	M	M				
0.15μF (154)							G	G									M	M	M	M	M	M				
0.18μF (184)							G	G									M	M	M	M						
0.22μF (224)							G	G									M	M	M	M						
0.27μF (274)																	M	M	M	M						
0.33μF (334)																	M	M	M	M						
0.39μF (394)																	M	M								
0.47μF (474)																	M	M								
0.56μF (564)																	M	M								
0.68μF (684)																	M	M								
0.82μF (824)																										
1.0μF (105)																										

The letter in cell is expressed the symbol of product thickness.

**8. CAPACITANCE RANGE (HIGH VOLTAGE - 1kV to 4kV)**

**8-1 NP0 Dielectric**

DIELECTRIC	NP0																	
	SIZE	0805			1206			1210			1808			1812				
	RATED VOLTAGE	1000	1000	1500	2000	1000	1500	2000	1000	1500	2000	3000	4000	1000	1500	2000	3000	4000
Capacitance	0.5pF (0R5)	D																
	1.0pF (1R0)	D																
	1.2pF (1R2)	D																
	1.5pF (1R5)	D	B	B	B													
	1.8pF (1R8)	D	B	B	B													
	2.0pF (2R0)	D	B	B	B				D	D	D	D						
	2.2pF (2R2)	D	B	B	B				D	D	D	D						
	2.7pF (2R7)	D	B	B	B				D	D	D	D						
	3.3pF (3R3)	D	B	B	B				D	D	D	D						
	3.9pF (3R9)	D	B	B	B				D	D	D	D						
	4.7pF (4R7)	D	B	B	B				D	D	D	D						
	5.6pF (5R6)	D	B	B	B				D	D	D	D						
	6.8pF (6R8)	D	B	B	B				D	D	D	D						
	8.2pF (8R2)	D	B	B	B				D	D	D	D						
	10pF (100)	D	B	B	B	C	C	C	D	D	D	D	D	D	D	D	D	D
	12pF (120)	D	B	B	B	C	C	C	D	D	D	D	D	D	D	D	D	D
	15pF (150)	D	B	B	B	C	C	C	D	D	D	D	D	D	D	D	D	D
	18pF (180)	D	B	B	B	C	C	C	D	D	D	D	D	D	D	D	D	D
	22pF (220)	D	B	B	B	C	C	C	D	D	D	D	G	D	D	D	D	D
	27pF (270)	D	B	B	B	C	C	C	D	D	D	D	G	D	D	D	D	D
	33pF (330)	D	B	C	C	C	C	C	D	D	D	D		D	D	D	D	
	39pF (390)	D	B	C	C	C	C	C	D	D	D	D		D	D	D	D	
	47pF (470)	D	B	C	C	C	C	C	D	D	D	D		D	D	D	D	
	56pF (560)	D	B	D	D	C	D	D	D	D	D	D		D	D	D	D	
	68pF (680)	D	B	D	D	C	D	D	D	D	D	D		D	D	D	D	
	82pF (820)	D	B	D	D	C	D	D	D	D	D	D		D	D	D	D	
	100pF (101)	D	B	D	D	D	D	D	D	D	D	K		D	D	D	D	
	120pF (121)	D	D	G	G	D	D	D	D	D	D	K		D	D	D	D	
	150pF (151)	D	D	G	G	D	G	G	D	K	K	K		D	D	D	D	
	180pF (181)	D	G	G	G	D	G	G	D	K	K	K		D	D	D	K	
	220pF (221)	D	G	G	G	G	G	G	D	K	K	K		D	D	D	K	
	270pF (271)	D	G	P	P	G	K	K	K	K	K	K		D	K	K	K	
	330pF (331)	D	G	P	P	G	K	K	K	K	K	K		D	K	K	K	
390pF (391)	D	G	P	P	G	M	M	K	K	K	K		D	K	K	K		
470pF (471)		G			G	M	M	K	K	K			K	K	K	K		
560pF (561)		G			G			K	K	K			K	K	K			
680pF (681)		G			G			K	K	K			K	K	K			
820pF (821)		G			G			K	D	D			K	K	K			
1,000pF (102)		G			G			K	G	G			K	K	K			
1,200pF (122)		G				K		G	G	G			K					
1,500pF (152)		G				K		K	K	K			K					
1,800pF (182)		G				K		K	K	K			K					
2,200pF (222)		G				K		K	K	K			K					
2,700pF (272)		G				K		K					K					
3,300pF (332)		G				K		K					K					
3,900pF (392)		G				K							M					
4,700pF (472)		G				K							M					
5,600pF (562)						K							M					
6,800pF (682)						K												
8,200pF (822)						K												
0.010μF (103)						M												
0.012μF (123)						M												
0.015μF (153)						M												
0.018μF (183)						M												
0.022μF (223)						M												

The letter in cell is expressed the symbol of product thickness.

8-2 X7R Dielectric

DIELECTRIC		X7R																	
SIZE	0805	1206				1210			1808					1812					
RATED VOLTAGE	1000	1000	1500	2000	2500	1000	1500	2000	1000	1500	2000	3000	4000	1000	1500	2000	3000	4000	
Capacitance	100pF (101)	B	D	D	D	D	D	D											
	120pF (121)	B	D	D	D	D	D	D											
	150pF (151)	B	D	D	D	D	D	D	D	D	D	D	K						
	180pF (181)	B	D	D	D	D	D	D	D	D	D	D	D	K					
	220pF (221)	B	B	D	B	D	D	D	D	D	D	D	D	K					
	270pF (271)	B	D	D	D	D	D	D	D	D	D	D	D	K	D	D	D	K	K
	330pF (331)	B	D	D	D	D	D	D	D	D	D	D	K	K	D	D	D	K	K
	390pF (391)	B	D	D	D	D	D	D	D	D	D	D	K	K	D	D	D	K	K
	470pF (471)	B	D	D	D	D	D	D	D	D	D	D	K	K	D	D	D	K	K
	560pF (561)	B	D	D	D	D	D	D	D	D	D	D	K	K	D	D	D	K	K
	680pF (681)	B	D	D	D	D	D	D	D	D	D	D	K	K	D	D	D	K	K
	820pF (821)	B	D	D	D	D	D	D	D	D	D	D	K	K	D	D	D	K	K
	1,000pF (102)	B	D	D	B	D	D	D	D	D	K	K	K	K	D	D	D	K	K
	1,200pF (122)	B	D	G	G	G	D	M	M	D	K	K	K		D	D	D	K	M
	1,500pF (152)	D	D	G	G	G	D	M	M	D	K	K	K		D	D	D	K	M
	1,800pF (182)	D	D	G	G	G	D	M	M	D	K	K	K		D	D	D	M	M
	2,200pF (222)	D	D	G	G	G	D	M	M	D	K	K	K		D	D	D	M	
	2,700pF (272)	D	D	G	G		D	M	M	D	K	K	K		D	D	D	M	
	3,300pF (332)	D	D	G	G		D	M	M	D	K	K	K		D	K	K	M	
	3,900pF (392)	D	D	G			G	M	M	D	K	K			D	K	K	M	
	4,700pF (472)	D	D	G			G	M	M	D	K	K			D	K	K	M	
	5,600pF (562)	D	D	G			G	M	M	K	K	K			D	M	M	M	
	6,800pF (682)	D	D	G			G	M	M	K	K	K			D	M	M	M	
	8,200pF (822)	D	D	G			G	M	M	K	K	K			D	M	M		
	0.010μF (103)	D	D	G			G	M		K	K	K			D	M	M		
	0.012μF (123)		G				G			K					K	M	M		
	0.015μF (153)		G				G			K					K	M	M		
	0.018μF (183)						G			K					M	M	M		
	0.022μF (223)						G			K					M	M	M		
	0.033μF (333)						G			K					M				
0.039μF (393)						K			K					M					
0.047μF (473)						M			K					M					
0.056μF (563)									K					M					
0.068μF (683)														M					
0.10μF (104)														M					

The letter in cell is expressed the symbol of product thickness.

9. PACKAGING DIMENSION AND QUANTITY

Size	Thickness/Symbol (mm)		Paper tape		Plastic tape	
			7" reel	13" reel	7" reel	13" reel
0402	0.50±0.05	N	10k	50k	-	-
0603	0.80±0.07	S	4k	15k	-	-
	0.80 +0.15/-0.10	X	4k	15k		
0805	0.60±0.10	A	4k	15k	-	-
	0.80±0.10	B	4k	15k	-	-
	1.25±0.10	D	-	-	3k	10k
	1.25±0.20	I	-	-	3k	10k
1206	0.80±0.10	B	4k	15k	-	-
	0.95±0.10	C	-	-	3k	10k
	1.25±0.10	D	-	-	3k	10k
	1.60±0.20	G	-	-	2k	10k
	1.60+0.30/-0.10	P	-	-	2k	9k
1210	0.95±0.10	C	-	-	3k	10k
	1.25±0.10	D	-	-	3k	10k
	1.60±0.20	G	-	-	2k	-
	2.00±0.20	K	-	-	1k	6k
	2.50±0.30	M	-	-	1k	6k
1808	1.25±0.10	D	-	-	2k	10k
	1.60±0.20	G	-	-	2k	8k
	2.00±0.20	K	-	-	1k	6k
1812	1.25±0.10	D	-	-	1k	5k
	1.60±0.20	G	-	-	1k	-
	2.00±0.20	K	-	-	1k	-
	2.50±0.30	M	-	-	0.5k	3k

Unit: pieces

## 10. RELIABILITY TEST CONDITIONS AND REQUIREMENTS

No.	Item	Test Condition	Requirements												
1.	Visual and Mechanical		* No remarkable defect. * Dimensions to conform to individual specification sheet.												
2.	Capacitance	* Test temp.: Room Temperature.	Shall not exceed the limits given in the detailed spec.												
3.	Q/ D.F. (Dissipation Factor)	Class I: (NP0) Cap≤1000pF, 1.0±0.2Vrms, 1MHz±10% Cap>1000pF, 1.0±0.2Vrms, 1KHz±10% Class II: (X7R) 1.0±0.2Vrms, 1kHz±10% *Before initial measurement (Class II only): To apply de-aging at 150°C for 1hr then set for 24±2 hrs at room temp .	NP0: Cap≥30pF, Q≥1000; Cap<30pF, Q≥400+20C X7R: ≤2.5%												
4.	Dielectric Strength	* To apply voltage: 200V~300V            ≥2 times VDC 400V~450V            ≥1.2 times VDC 500V~999V            ≥1.5 times VDC 1000V~3000V        ≥1.2 times VDC 4000V                    ≥1.1 times VDC * Duration: 1 to 5 sec. * Charge & discharge current less than 50mA.	* No evidence of damage or flash over during test.												
5.	Insulation Resistance	* Test temp.: Room Temperature. To apply rated voltage Rated voltage: 200~630V            (500V max.) for 60 sec. * Test temp.: Room Temperature. To apply 500V for 60 sec. Rated voltage: ≥630V	≥10GΩ or RxC≥100Ω-F whichever is smaller												
6.	Temperature Coefficient	With no electrical load. <table border="1"> <thead> <tr> <th>T.C.</th> <th>Operating Temp</th> </tr> </thead> <tbody> <tr> <td>NP0</td> <td>-55~125°C at 25°C</td> </tr> <tr> <td>X7R</td> <td>-55~125°C at 25°C</td> </tr> </tbody> </table> *Before initial measurement (Class II only): To apply de-aging at 150°C for 1hr then set for 24±2 hrs at room temp .	T.C.	Operating Temp	NP0	-55~125°C at 25°C	X7R	-55~125°C at 25°C	<table border="1"> <thead> <tr> <th>T.C.</th> <th>Capacitance Change</th> </tr> </thead> <tbody> <tr> <td>NP0</td> <td>Within ±30ppm/°C</td> </tr> <tr> <td>X7R</td> <td>Within ±15%</td> </tr> </tbody> </table>	T.C.	Capacitance Change	NP0	Within ±30ppm/°C	X7R	Within ±15%
T.C.	Operating Temp														
NP0	-55~125°C at 25°C														
X7R	-55~125°C at 25°C														
T.C.	Capacitance Change														
NP0	Within ±30ppm/°C														
X7R	Within ±15%														
7.	Adhesive Strength of Termination	* Pressurizing force : 5N (≤0603) and 10N (≥0603) * Test time: 10±1 sec.	* No remarkable damage or removal of the terminations.												
8.	Vibration Resistance	* Vibration frequency: 10~55 Hz/min. * Total amplitude: 1.5mm * Test time: 6 hrs. (Two hrs each in three mutually perpendicular directions.) *Before initial measurement (Class II only): To apply de-aging at 150°C for 1hr then set for 24±2 hrs at room temp . *Cap./DF(Q) Measurement to be made after de-aging at 150°C for 1hr then set for 24±2 hrs at room temp.	* No remarkable damage. * Cap change and Q/D.F.: To meet initial spec.												
9.	Solderability	* Solder temperature: 235±5°C * Dipping time: 2±0.5 sec.	95% min. coverage of all metalized area.												
10.	Bending Test	* The middle part of substrate shall be pressurized by means of the pressurizing rod at a rate of about 1 mm per second until the deflection becomes 1 mm and then the pressure shall be maintained for 5±1 sec. *Before initial measurement (Class II only): To apply de-aging at 150°C for 1hr then set for 24±2 hrs at room temp . * Measurement to be made after keeping at room temp. for 24±2 hrs.	* No remarkable damage. * Cap change : NP0: within ±5.0% or ±0.5pF whichever is larger. X7R: within ±12.5% (This capacitance change means the change of capacitance under specified flexure of substrate from the capacitance measured before the test.)												
11.	Resistance to Soldering Heat	* Solder temperature: 260±5°C * Dipping time: 10±1 sec * Preheating: 120 to 150°C for 1 minute before immerse the capacitor in a eutectic solder. *Before initial measurement (Class II only): To apply de-aging at 150°C for 1hr then set for 24±2 hrs at room temp . *Cap. / DF(Q) / I.R. Measurement to be made after de-aging at 150°C for 1hr then set for 24±2 hrs at room temp.	* No remarkable damage. * Cap change: NP0: within ±2.5% or ±0.25pF whichever is larger. X7R: within ±7.5% Q/D.F., I.R. and dielectric strength: To meet initial requirements. 25% max. leaching on each edge.												

\* "Room condition" Temperature: 15 to 35°C, Relative humidity: 25 to 75%, Atmospheric pressure: 86 to 106kPa.



No.	Item	Test Condition	Requirements															
12.	Temperature Cycle	<p>* Conduct the five cycles according to the temperatures and time.</p> <table border="1"> <thead> <tr> <th>Step</th> <th>Temp. (°C)</th> <th>Time (min.)</th> </tr> </thead> <tbody> <tr> <td>1</td> <td>Min. operating temp. +0/-3</td> <td>30±3</td> </tr> <tr> <td>2</td> <td>Room temp.</td> <td>2-3</td> </tr> <tr> <td>3</td> <td>Max. operating temp. +3/-0</td> <td>30±3</td> </tr> <tr> <td>4</td> <td>Room temp.</td> <td>2-3</td> </tr> </tbody> </table> <p>*Before initial measurement (Class II only): To apply de-aging at 150°C for 1hr then set for 24±2 hrs at room temp .</p> <p>* Cap. / DF(Q) / I.R. Measurement to be made after de-aging at 150°C for 1hr then set for 24±2 hrs at room temp .</p>	Step	Temp. (°C)	Time (min.)	1	Min. operating temp. +0/-3	30±3	2	Room temp.	2-3	3	Max. operating temp. +3/-0	30±3	4	Room temp.	2-3	<p>No remarkable damage.</p> <p>Cap change :</p> <p>NP0: within ±2.5% or ±0.25pF whichever is larger.</p> <p>X7R: within ±7.5%</p> <p>Q/D.F., I.R. and dielectric strength: To meet initial requirements.</p>
Step	Temp. (°C)	Time (min.)																
1	Min. operating temp. +0/-3	30±3																
2	Room temp.	2-3																
3	Max. operating temp. +3/-0	30±3																
4	Room temp.	2-3																
13.	Humidity (Damp Heat) Steady State	<p>* Test temp.: 40±2°C</p> <p>* Humidity: 90~95% RH</p> <p>* Test time: 500+24/-0hrs.</p> <p>*Before initial measurement (Class II only): To apply de-aging at 150°C for 1hr then set for 24±2 hrs at room temp .</p> <p>* Cap. / DF(Q) / I.R. Measurement to be made after de-aging at 150°C for 1hr then set for 24±2 hrs at room temp .</p>	<p>No remarkable damage.</p> <p>Cap change: NP0: within ±5.0% or ±0.5pF whichever is larger.</p> <p>X7R: within ±12.5%</p> <p>Q/D.F. value:</p> <p>NP0: Cap≥30pF, Q≥350; 10pF≤Cap&lt;30pF, Q≥275+2.5C</p> <p>Cap&lt;10pF; Q≥200+10C</p> <p>X7R: ≤3.0%</p> <p>I.R.: ≥1GΩ or RxC≥50Ω-F whichever is smaller.</p>															
14.	Humidity (Damp Heat) Load	<p>* Test temp.: 40±2°C</p> <p>* Humidity: 90~95%RH</p> <p>* Test time: 500+24/-0 hrs.</p> <p>* To apply voltage : rated voltage (Max. 500V)</p> <p>*Before initial measurement (Class II only): To apply de-aging at 150°C for 1hr then set for 24±2 hrs at room temp .</p> <p>* Cap. / DF(Q) / I.R. Measurement to be made after de-aging at 150°C for 1hr then set for 24±2 hrs at room temp .</p>	<p>No remarkable damage.</p> <p>Cap change: NP0: within ±7.5% or ±0.75pF whichever is larger.</p> <p>X7R: within ±12.5%</p> <p>Q/D.F. value:</p> <p>NP0: Cap≥30pF, Q≥200; Cap&lt;30pF, Q≥100+10/3C</p> <p>X7R: ≤3.0%</p> <p>I.R.: ≥500MΩ or RxC≥25Ω-F whichever is smaller.</p>															
15.	High Temperature Load (Endurance)	<p>* Test temp.:</p> <p>NP0, X7R: 125±3°C</p> <p>* To apply voltage:</p> <p>(1) 1206/NP0 (3kV) ≥1.5pF: 100% of rated voltage.</p> <p>1812N472&amp;1812N562(1kV): 100% of rated voltage.</p> <p>(2) 200V~300V: 200% of rated voltage.</p> <p>(3) 400V~450V: 120% of rated voltage.</p> <p>(4) 500V: 150% of rated voltage.</p> <p>(5) 630V~3000V: 120% of rated voltage.</p> <p>(6) 4000V: 110% of rated voltage.</p> <p>* Test time: 1000+24/-0 hrs.</p> <p>*Before initial measurement (Class II only): To apply de-aging at 150°C for 1hr then set for 24±2 hrs at room temp .</p> <p>* Cap. / DF(Q) / I.R. Measurement to be made after de-aging at 150°C for 1hr then set for 24±2 hrs at room temp .</p>	<p>No remarkable damage.</p> <p>Cap change: NP0: within ±3.0% or ±0.3pF whichever is larger.</p> <p>X7R: within ±12.5%</p> <p>Q/D.F. value:</p> <p>NP0: Cap≥30pF, Q≥350</p> <p>10pF≤Cap&lt;30pF, Q≥275+2.5C</p> <p>Cap&lt;10pF, Q≥200+10C</p> <p>X7R: ≤3.0%</p> <p>I.R.: ≥1GΩ or RxC≥50Ω-F whichever is smaller.</p>															

\* "Room condition" Temperature: 15 to 35°C, Relative humidity: 25 to 75%, Atmospheric pressure: 86 to 106kPa.

**APPENDIXES**

**■ Tape & reel dimensions**

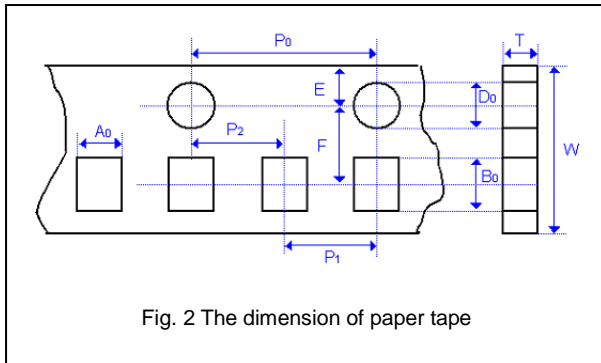


Fig. 2 The dimension of paper tape

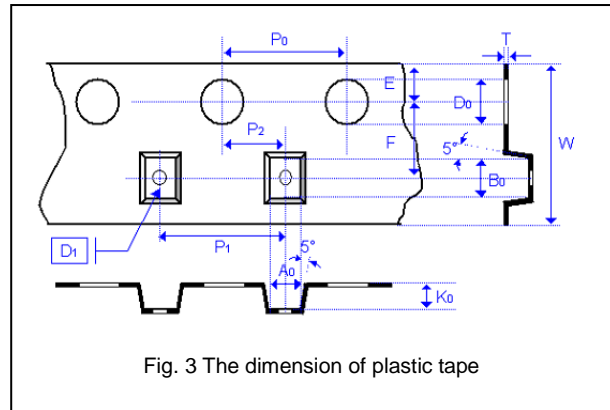


Fig. 3 The dimension of plastic tape

Size	0402	0603	0805			1206			1210				1808		1812		
Thickness	N,E	S,X	A,H	B,T	D,I	B,T	C,J,D	G,P	T	C,D	G,K	M	D,F	G,K	D,F	G,K	M,U
A <sub>0</sub>	0.70 +/-0.20	1.05 +/-0.30	1.50 +/-0.20	1.50 +/-0.20	< 1.80	1.90 +/-0.50	< 2.00	< 2.30	< 3.05	< 3.05	< 3.05	< 3.20	< 2.50	< 2.50	< 3.90	< 3.90	< 3.90
B <sub>0</sub>	1.20 +/-0.20	1.80 +/-0.30	2.30 +/-0.20	2.30 +/-0.20	< 2.70	3.50 +/-0.50	< 3.70	< 4.00	< 3.80	< 3.80	< 3.80	< 4.00	< 5.30	< 5.30	< 5.30	< 5.30	< 5.30
T	≤ 0.80	≤ 1.20	≤ 1.15	≤ 1.20	0.23 +/-0.1	≤ 1.20	0.23 +/-0.1	0.23 +/-0.1	0.23 +/-0.1	0.23 +/-0.1	0.23 +/-0.1	0.23 +/-0.1	0.25 +/-0.1	0.25 +/-0.1	0.25 +/-0.1	0.25 +/-0.1	0.25 +/-0.1
K <sub>0</sub>	-	-	-	-	< 2.00	-	< 2.00	< 2.50	< 1.50	< 2.00	< 2.50	< 3.20	< 2.00	< 2.50	< 2.00	< 2.50	< 3.50
W	8.00 +/-0.30	8.00 +/-0.30	8.00 +/-0.30	8.00 +/-0.30	8.00 +/-0.30	8.00 +/-0.30	8.00 +/-0.30	8.00 +/-0.30	8.00 +/-0.30	8.00 +/-0.30	8.00 +/-0.30	8.00 +/-0.30	12.00 +/-0.30	12.00 +/-0.30	12.00 +/-0.30	12.00 +/-0.30	12.00 +/-0.30
P <sub>0</sub>	4.00 +/-0.10	4.00 +/-0.10	4.00 +/-0.10	4.00 +/-0.10	4.00 +/-0.10	4.00 +/-0.10	4.00 +/-0.10	4.00 +/-0.10	4.00 +/-0.10	4.00 +/-0.10	4.00 +/-0.10	4.00 +/-0.10	4.00 +/-0.10	4.00 +/-0.10	4.00 +/-0.10	4.00 +/-0.10	4.00 +/-0.10
10xP <sub>0</sub>	40.00 +/-0.10	40.00 +/-0.20	40.00 +/-0.20	40.00 +/-0.20	40.00 +/-0.20	40.00 +/-0.20	40.00 +/-0.20	40.00 +/-0.20	40.00 +/-0.20	40.00 +/-0.20	40.00 +/-0.20	40.00 +/-0.20	40.00 +/-0.20	40.00 +/-0.20	40.00 +/-0.20	40.00 +/-0.20	40.00 +/-0.20
P <sub>1</sub>	2.00 +/-0.05	4.00 +/-0.10	4.00 +/-0.10	4.00 +/-0.10	4.00 +/-0.10	4.00 +/-0.10	4.00 +/-0.10	4.00 +/-0.10	4.00 +/-0.10	4.00 +/-0.10	4.00 +/-0.10	4.00 +/-0.10	4.00 +/-0.10	4.00 +/-0.10	4.00 +/-0.10	4.00 +/-0.10	8.00 +/-0.10
P <sub>2</sub>	2.00 +/-0.05	2.00 +/-0.05	2.00 +/-0.05	2.00 +/-0.05	2.00 +/-0.05	2.00 +/-0.05	2.00 +/-0.05	2.00 +/-0.05	2.00 +/-0.05	2.00 +/-0.05	2.00 +/-0.05	2.00 +/-0.05	2.00 +/-0.10	2.00 +/-0.10	2.00 +/-0.10	2.00 +/-0.10	2.00 +/-0.10
D <sub>0</sub>	1.50 +0.1/-0	1.50 +0.1/-0	1.50 +0.1/-0	1.50 +0.1/-0	1.50 +0.1/-0	1.50 +0.1/-0	1.50 +0.1/-0	1.50 +0.1/-0	1.50 +0.1/-0	1.50 +0.1/-0	1.50 +0.1/-0	1.50 +0.1/-0	1.50 +0.1/-0	1.50 +0.1/-0	1.50 +0.1/-0	1.50 +0.1/-0	1.50 +0.1/-0
D <sub>1</sub>	-	-	-	-	1.00 +/-0.10	-	1.00 +/-0.10	1.00 +/-0.10	1.00 +/-0.10	1.00 +/-0.10	1.00 +/-0.10	1.00 +/-0.10	1.00 +/-0.10	1.50 +/-0.10	1.50 +/-0.10	1.50 +/-0.10	1.50 +/-0.10
E	1.75 +/-0.10	1.75 +/-0.10	1.75 +/-0.10	1.75 +/-0.10	1.75 +/-0.10	1.75 +/-0.10	1.75 +/-0.10	1.75 +/-0.10	1.75 +/-0.10	1.75 +/-0.10	1.75 +/-0.10	1.75 +/-0.10	1.75 +/-0.10	1.75 +/-0.10	1.75 +/-0.10	1.75 +/-0.10	1.75 +/-0.10
F	3.50 +/-0.05	3.50 +/-0.05	3.50 +/-0.05	3.50 +/-0.05	3.50 +/-0.05	3.50 +/-0.05	3.50 +/-0.05	3.50 +/-0.05	3.50 +/-0.05	3.50 +/-0.05	3.50 +/-0.05	3.50 +/-0.05	3.50 +/-0.10	3.50 +/-0.10	3.50 +/-0.10	3.50 +/-0.10	3.50 +/-0.10

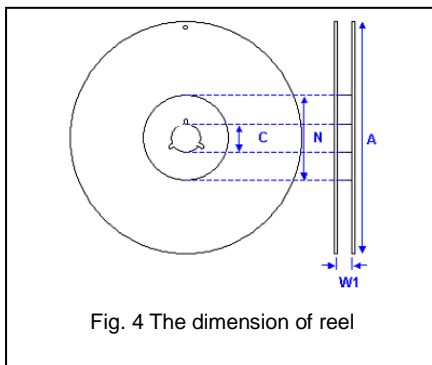
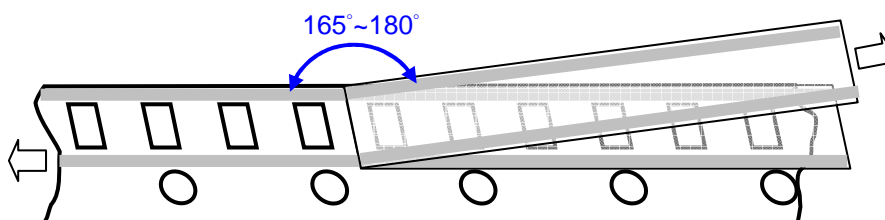


Fig. 4 The dimension of reel

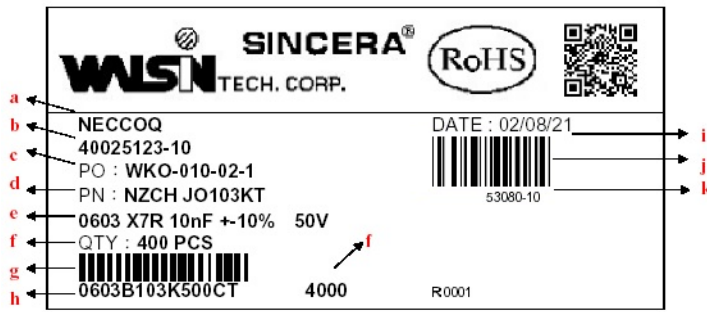
Size	0402, 0603, 0805, 1206, 1210			1808, 1812
Reel size	7"	10"	13"	7"
C	13.0±0.5	13.0±0.5	13.0±0.5	13.0±0.5
W <sub>1</sub>	10.0±1.5	10.0±1.5	10.0±1.5	12.4+2.0/-0
A	178.0±2.0	250.0±2.0	330.0±2.0	178.0±2.0
N	60.0+1.0/-0	50 min	50 min	60.0+1.0/-0

**■ Peeling force (EIA-481)**

Peel-off force should be in the range of 10 grams to 100 grams at a peel-off speed of 300±10 mm/min.



Example of customer label



- a. Customer name
- b. WTC order series and item number
- c. Customer P/O
- d. Customer P/N
- e. Description of product
- f. Quantity
- g. Bar code including quantity & WTC P/N or customer
- h. WTC P/N
- i. Shipping date
- j. Order bar code including series and item numbers
- k. Serial number of label

\*Customized label is available upon request

Constructions

No.	Name	NPO	X7R
①	Ceramic material	CaZrO <sub>3</sub> based	BaTiO <sub>3</sub> based
②	Inner electrode		Ni
③	Termination	Inner layer	Cu
④		Middle layer	Ni
⑤		Outer layer	Sn

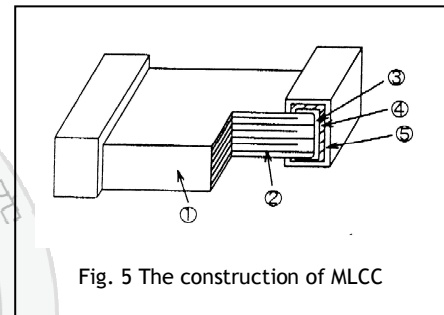


Fig. 5 The construction of MLCC

Storage and handling conditions

- (1) To store products at 5 to 40°C ambient temperature and 20 to 70% related humidity conditions; MSL Level 1.
- (2) The product is recommended to be used within one year after shipment. Check solderability in case of shelf life extension is needed.

Cautions:

- a. The corrosive gas reacts on the terminal electrodes of capacitors, and results in the poor solderability. Do not store the capacitors in the ambience of corrosive gas (e.g., hydrogen sulfide, sulfur dioxide, chlorine, ammonia gas etc.)
- b. In corrosive atmosphere, solderability might be degraded, and silver migration might occur to cause low reliability.
- c. Due to the dewing by rapid humidity change, or the photochemical change of the terminal electrode by direct sunlight, the solderability and electrical performance may deteriorate. Do not store capacitors under direct sunlight or dewing condition. To store products on the shelf and avoid exposure to moisture.

Multilayer Ceramic Capacitors

Recommended soldering conditions

The lead-free termination MLCCs are not only to be used on SMT against lead-free solder paste, but also suitable against lead-containing solder paste. If the optimized solder joint is requested, increasing soldering time, temperature and concentration of N<sub>2</sub> within oven are recommended.

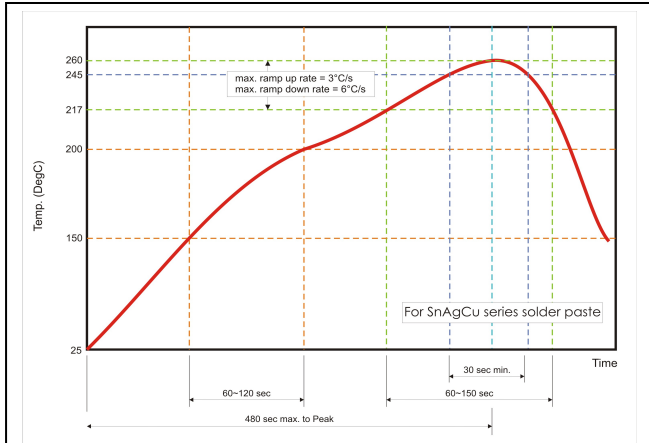


Fig. 6 Recommended reflow soldering profile for SMT process with SnAgCu series solder paste.

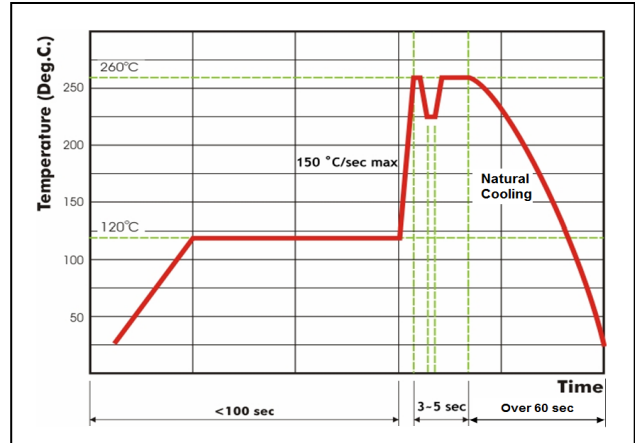


Fig. 7 Recommended wave soldering profile for SMT process with SnAgCu series solder.



## X-ON Electronics

Largest Supplier of Electrical and Electronic Components

*Click to view similar products for [Multilayer Ceramic Capacitors MLCC - SMD/SMT](#) category:*

*Click to view products by [Walsin](#) manufacturer:*

Other Similar products are found below :

[M39014/02-1218V](#) [M39014/02-1225V](#) [M39014/22-0631](#) [D55342E07B523DR-T/R](#) [NIN-FC2R7JTRF](#) [NMC0402NPO220J50TRPF](#)  
[NMC0402X5R105K6.3TRPF](#) [NMC0402X5R224K6.3TRPF](#) [NMC0402X7R103J25TRPF](#) [NMC0402X7R392K50TRPF](#)  
[NMC0603NPO101F50TRPF](#) [NMC0603NPO201J50TRPF](#) [NMC0603NPO330G50TRPF](#) [NMC0603NPO331F50TRPF](#)  
[NMC0603X5R475M6.3TRPF](#) [NMC0603X7R333K16TRPF](#) [NMC0805NPO220J100TRPF](#) [NMC0805NPO820J50TRPF](#)  
[NMC0805X7R224K25TRPF](#) [NMC1206X7R102K50TRPF](#) [NMC1206X7R106K10TRPLPF](#) [NMC-H0805X7R472K250TRPF](#)  
[C1608C0G2A221J](#) [C1608X7R1E334K](#) [C2012C0G2A472J](#) [2220J2K00562KXT](#) [CCR06CG153FSV](#) [CDR04BX104AKSR](#)  
[CDR33BX104AKUR](#) [CDR33BX683AKUS](#) [CGA3E1X7R1C684K](#) [CL10C0R8BB8ANNC](#) [M55342H06B20G0R-T/R](#) [C1005X5R0G225M](#)  
[C2012X7R2E223K](#) [C3216C0G2J272J](#) [D55342E07B35E7R-T/R](#) [CDR34BX563BKUS](#) [CDR34BX563BKWS](#) [NMC0402NPO220F50TRPF](#)  
[NMC0402X7R562J25TRPF](#) [NMC0603NPO102J25TRPF](#) [NMC1206X7R332K50TRPF](#) [NMC-P1206X7R104K250TRPLPF](#) [726632-1](#)  
[CGA6M3X7R1H225K](#) [CGA5L2X7R2A105K](#) [CGA3E2X8R1H223K](#) [CDR33BX823AKUR\M500](#) [CDR33BP132BJUR](#)