

APPROVAL SHEET

MULTILAYER CERAMIC CAPACITORS

Microwave Capacitors Series (RT)

Qualified to AEC-Q200

0402 Size (25V to 50V)

NP0 Dielectric

Halogen Free & RoHS Compliance



*Contents in this sheet are subject to change without prior notice.

1. DESCRIPTION

MLCC consists of a conducting material and electrodes. To manufacture a chip-type SMT and achieve miniaturization, high density and high efficiency, ceramic condensers are used.

WTC's RT series MLCC is used at high frequencies generally have a small temperature coefficient of capacitance, typical within the $\pm 30\text{ppm}/^\circ\text{C}$ required for NP0 (C0G) classification and have excellent conductivity internal electrode. Thus, WTC RT series MLCC will be with the feature of low ESR and high Q characteristics, stability and reliability. Besides, RT series MLCC is tighten controlling in quality in line to assure quality performance in automotive applications. The RT series is AEC-Q200 compliant.

2. FEATURES

- High Q and low ESR performance at high frequency.
- High reliability: AEC-Q200.
- Ultra low capacitance to 0.1pF.
- Can offer high precision tolerance to $\pm 0.05\text{pF}$.
- Quality improvement of telephone calls for low power loss and better performance.

3. APPLICATIONS

- Automotive, power supply and related industries. .
- The other mechanical stress concerned products or the set having a high probability of fall.
- Prevention of ceramic body cracks by board bending.
- RF module: Power amplifier, VCO.
- Tuners.

4. HOW TO ORDER

| <u>RT</u> | <u>15</u> | <u>N</u> | <u>101</u> | <u>J</u> | <u>250</u> | <u>C</u> | <u>I</u> |
|--|-------------------|------------|--|--|---|--------------------------------------|-----------------------------|
| Series | Size | Dielectric | Capacitance | Tolerance | Rated voltage | Termination | Packaging style |
| RT= Microwave MLCC (with AEC-Q200 qualification) | 15=0402 (1005) | N=NP0 | Two significant digits followed by no. of zeros. And R is in place of decimal point. eg.: 0R5=0.5pF 1R0=1.0pF 100=10x10 ¹ =100pF | A= $\pm 0.05\text{pF}$ B= $\pm 0.1\text{pF}$ C= $\pm 0.25\text{pF}$ D= $\pm 0.5\text{pF}$ F= $\pm 1\%$ G= $\pm 2\%$ J= $\pm 5\%$ | Two significant digits followed by no. of zeros. And R is in place of decimal point. 250=25 VDC 500=50 VDC | C= Cu+Conductive resin /Ni /Sn | T=7" reeled G=13" reeled |

5. EXTERNAL DIMENSIONS

| Size Inch (mm) | L (mm) | W (mm) | T (mm)/Symbol | Remark | M _B (mm) |
|-------------------|-----------------|-----------------|-----------------|--------|---------------------|
| 0402 (1005) | 1.00 \pm 0.08 | 0.50 \pm 0.08 | 0.50 \pm 0.08 | N # | 0.25 +0.05/-0.10 |

Reflow soldering only is recommended.

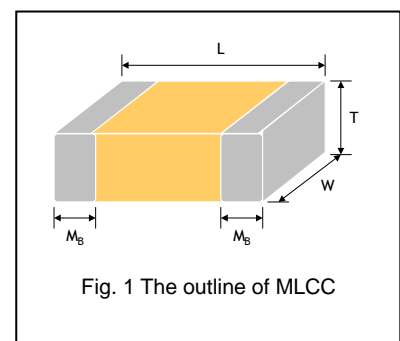


Fig. 1 The outline of MLCC

Multilayer Ceramic Capacitors

6. GENERAL ELECTRICAL DATA

| | |
|------------------------------------|---|
| Dielectric | NP0 |
| Size | 0402 |
| Capacitance* | 0.1pF to 56pF |
| Capacitance tolerance | Cap \leq 5pF ^{#1} : A (\pm 0.05pF), B (\pm 0.1pF), C (\pm 0.25pF) 5pF<Cap<10pF: B (\pm 0.1pF), C (\pm 0.25pF), D (\pm 0.5pF) Cap \geq 10pF: F (\pm 1%), G (\pm 2%), J (\pm 5%) |
| Rated voltage (WVDC) | 25V, 50V |
| Q* | Cap<30pF:Q \geq 400+20C; Cap \geq 30pF:Q \geq 1000 |
| Insulation resistance at Ur | \geq 10G Ω or RxC \geq 100 Ω -F whichever is smaller. |
| Operating temperature | -55 to +125 $^{\circ}$ C |
| Capacitance change | \pm 30ppm/ $^{\circ}$ C |
| Termination | Ni/Sn (lead-free termination) |

#1: Cap= 0.1pF product only provide B tolerance.

* Measured at the conditions of 25 $^{\circ}$ C ambient temperature and 30~70% related humidity.

Apply 1.0 \pm 0.2Vrms, 1.0MHz \pm 10% for Cap \leq 1000pF and 1.0 \pm 0.2Vrms, 1.0kHz \pm 10% for Cap>1000pF.



Multilayer Ceramic Capacitors

7. CAPACITANCE RANGE

| DIELECTRIC | NP0 | | | Tolerance |
|---------------------|------|------|---------|-----------|
| | SIZE | 0402 | | |
| | | 25 | 50 | |
| RATED VOLTAGE (VDC) | 25 | 50 | | |
| 0.1pF (0R1) | N | N | B | |
| 0.2pF (0R2) | N | N | A, B | |
| 0.3pF (0R3) | N | N | A, B | |
| 0.4pF (0R4) | N | N | A, B | |
| 0.5pF (0R5) | N | N | A, B, C | |
| 0.6pF (0R6) | N | N | A, B, C | |
| 0.7pF (0R7) | N | N | A, B, C | |
| 0.75pF (R75) | N | N | A, B, C | |
| 0.8pF (0R8) | N | N | A, B, C | |
| 0.9pF (0R9) | N | N | A, B, C | |
| 1.0pF (1R0) | N | N | A, B, C | |
| 1.1pF (1R1) | N | N | A, B, C | |
| 1.2pF (1R2) | N | N | A, B, C | |
| 1.3pF (1R3) | N | N | A, B, C | |
| 1.5pF (1R5) | N | N | A, B, C | |
| 1.6pF (1R6) | N | N | A, B, C | |
| 1.8pF (1R8) | N | N | A, B, C | |
| 2.0pF (2R0) | N | N | A, B, C | |
| 2.2pF (2R2) | N | N | A, B, C | |
| 2.4pF (2R4) | N | N | A, B, C | |
| 2.7pF (2R7) | N | N | A, B, C | |
| 3.0pF (3R0) | N | N | A, B, C | |
| 3.3pF (3R3) | N | N | A, B, C | |
| 3.6pF (3R6) | N | N | A, B, C | |
| 3.9pF (3R9) | N | N | A, B, C | |
| 4.0pF (4R0) | N | N | A, B, C | |
| 4.3pF (4R3) | N | N | A, B, C | |
| 4.7pF (4R7) | N | N | A, B, C | |
| 5.0pF (5R0) | N | N | A, B, C | |
| 5.1pF (5R1) | N | N | B, C, D | |
| 5.6pF (5R6) | N | N | B, C, D | |
| 6.0pF (6R0) | N | N | B, C, D | |
| 6.2pF (6R2) | N | N | B, C, D | |
| 6.7pF (6R7) | N | N | B, C, D | |
| 6.8pF (6R8) | N | N | B, C, D | |
| 7.0pF (7R0) | N | N | B, C, D | |
| 7.5pF (7R5) | N | N | B, C, D | |
| 8.0pF (8R0) | N | N | B, C, D | |
| 8.2pF (8R2) | N | N | B, C, D | |
| 9.0pF (9R0) | N | N | B, C, D | |
| 9.1pF (9R1) | N | N | B, C, D | |
| 10pF (100) | N | N | F, G, J | |
| 11pF (110) | N | N | F, G, J | |
| 12pF (120) | N | N | F, G, J | |
| 13pF (130) | N | N | F, G, J | |
| 15pF (150) | N | N | F, G, J | |
| 16pF (160) | N | N | F, G, J | |
| 18pF (180) | N | N | F, G, J | |
| 20pF (200) | N | N | F, G, J | |
| 22pF (220) | N | N | F, G, J | |
| 24pF (240) | N | N | F, G, J | |
| 27pF (270) | N | N | F, G, J | |
| 30pF (300) | N | N | F, G, J | |
| 33pF (330) | N | N | F, G, J | |
| 36pF (360) | N | N | F, G, J | |
| 39pF (390) | N | N | F, G, J | |
| 43pF (430) | N | N | F, G, J | |
| 47pF (470) | N | N | F, G, J | |
| 51pF (510) | N | N | F, G, J | |
| 56pF (560) | N | N | F, G, J | |
| 62pF (620) | | | | |
| 68pF (680) | | | | |
| 75pF (750) | | | | |
| 82pF (820) | | | | |
| 91pF (910) | | | | |
| 100pF (101) | | | | |

1. The letter in cell is expressed the symbol of product thickness.
2. For more information about products with special capacitance or other data, please contact WTC local representative

8. PACKAGING STYLE AND QUANTITY

| Size | Thickness (mm)/Symbol | | Paper tape | |
|-------------|-----------------------|---|------------|----------|
| | | | 7" reel | 13" reel |
| 0402 (1005) | 0.50±0.08 | N | 10,000 | 50,000 |

Unit: pieces



Multilayer Ceramic Capacitors

9. RELIABILITY TEST CONDITIONS AND REQUIREMENTS

| No. | AEC-Q200 Test Item | AEC-Q200 Test Condition | Requirements | | | | | | | | | |
|------|--|--|---|------------|-------------|---|-------------|-----|---|--------------|-----|---|
| 1. | Pre-and Post-Stress Electrical Test | --- | | | | | | | | | | |
| 2. | High Temperature Exposure (Storage) MIL-STD-202 Method 108 | * Test temp.: 150±3°C * Unpowered. * Test time: 1000+24/-0 hrs. * Measurement to be made after keeping at room temp. for 24±2 hrs. | * No remarkable damage. * Cap change : NPO: within ±2.5% or ±0.25pF whichever is larger. * Q. value: NPO: Cap≥30pF, Q≥1000 ; Cap<30pF, Q≥400+20C. * I.R.: ≥10GΩ or RxC≥500Ω-F whichever is smaller. | | | | | | | | | |
| 3. | Temperature Cycling JESD22 Method JA-104 | * Conduct 1000 cycles according to the temperatures and time. <table border="1" style="margin-left: 20px;"> <thead> <tr> <th>Step</th> <th>Temp. (°C)</th> <th>Time (min.)</th> </tr> </thead> <tbody> <tr> <td>1</td> <td>-55°C +0/-3</td> <td>5±1</td> </tr> <tr> <td>2</td> <td>+125°C +3/-0</td> <td>5±1</td> </tr> </tbody> </table> *Measurement to be made after keeping at room temp. for 24±2 hrs. | Step | Temp. (°C) | Time (min.) | 1 | -55°C +0/-3 | 5±1 | 2 | +125°C +3/-0 | 5±1 | * No remarkable damage. * Cap change : NPO: within ±2.5% or 0.25pF whichever is larger. * Q. value: NPO: Cap≥30pF, Q≥1000 ; Cap<30pF, Q≥400+20C. * I.R.: ≥10GΩ or RxC≥500Ω-F whichever is smaller. |
| Step | Temp. (°C) | Time (min.) | | | | | | | | | | |
| 1 | -55°C +0/-3 | 5±1 | | | | | | | | | | |
| 2 | +125°C +3/-0 | 5±1 | | | | | | | | | | |
| 4. | Destructive Physical Analysis EIA-469 | Per EIA-469 | No defects or abnormalities | | | | | | | | | |
| 5. | Moisture Resistance MIL-STD-202 Method 106 | * Test temp.: 25~65°C * Humidity: 80~100% RH * Test time: 10 cycles, t=24hrs/cycle. * Measurement to be made after keeping at room temp. for 24±2 hrs. | * No remarkable damage. * Cap change : NPO: within ±3.0% or 0.30pF whichever is larger * Q. value: NPO: More than 30pF Q≥350 ; 10pF≤C≤30pF, Q≥275+2.5C Less than 10pF Q≥200+10C * I.R.: ≥10GΩ or RxC≥500Ω-F whichever is smaller. | | | | | | | | | |
| 6. | Biased Humidity MIL-STD-202 Method 103 | * Test temp.: 85±3°C * Humidity: 85%RH * Test time: 1000+24/-0 hrs. * To apply voltage : rated voltage and 1.3~1.5Vdc. (add 100k ohm resistor) * Measurement to be made after keeping at room temp. for 24±2 hrs. | * No remarkable damage. * Cap change: NPO: within ±3.0% or 0.30pF whichever is larger. * Q. value: NPO: C≥30pF , Q≥200 ; C<30pF , Q≥100+10/3C * I.R.: ≥1GΩ or RxC≥50Ω-F whichever is smaller. | | | | | | | | | |
| 7. | Operational Life MIL-STD-202 Method 108 | * Test temp.: 125±3°C * To apply voltage: 200% of rated voltage. * Test time: 1000+24/-0 hrs. * Measurement to be made after keeping at room temp. for 24±2 hrs. | * No remarkable damage. * Cap change: NPO: within ±3.0% or ±0.3pF whichever is larger * Q. value: NPO: More than 30pF, Q≥350 ; 10pF≤C<30pF, Q≥275+2.5C Less than 10pF, Q≥200+10C * I.R.: ≥1GΩ or RxC≥50Ω-F whichever is smaller. | | | | | | | | | |
| 8. | External Visual MIL-STD-883 Method 2009 | Visual inspection | No remarkable defect. | | | | | | | | | |
| 9. | Physical Dimension JESD22 Method JB-100 | Using by calipers | Within the specified dimensions | | | | | | | | | |

* "Room condition" Temperature: 15 to 35°C, Relative humidity: 25 to 75%, Atmospheric pressure: 86 to 106kPa.

| No. | AEC-Q200 Test Item | AEC-Q200 Test Condition | Requirements | | | | | | | | | |
|------|--|--|---|------------|-------------|---|-------------|------|---|--------------|------|---|
| 10. | Resistance to Solvents MIL-STD-202 Method 215 | * Temperature: 25±5°C * Time: 3+0.5/-0 min. * Solvent: Iso-propyl alcohol. | * No remarkable damage. * Cap.: within the specified tolerance. * Q. value: NPO: Cap≥30pF, Q≥1000 ; Cap<30pF, Q≥400+20C. * I.R.: ≥10GΩ or RxC≥500Ω-F whichever is smaller. | | | | | | | | | |
| 11. | Mechanical Shock MIL-STD-202 Method 213 | * Peak value: 1500g's. * Wave: 1/2 sine. * Velocity: 15.4 ft/sec * Three shocks in each direction should be applied along 3 mutually perpendicular axes of the test specimen (18 shocks) | * No remarkable damage. * Cap.: within the specified tolerance. * Q. value: NPO: Cap≥30pF, Q≥1000 ; Cap<30pF, Q≥400+20C. * I.R.: ≥10GΩ or RxC≥500Ω-F whichever is smaller. | | | | | | | | | |
| 12. | Vibration MIL-STD-202 Method 204 | * Vibration frequency: 10~2000 Hz/min. (5g's for 20 min) * Total amplitude: 1.5mm * 12 cycles each of 3 orientations (36 times) | * No remarkable damage. * Cap.: within the specified tolerance. * Q. value: NPO: Cap≥30pF, Q≥1000 ; Cap<30pF, Q≥400+20C. * I.R.: ≥10GΩ or RxC≥500Ω-F whichever is smaller. | | | | | | | | | |
| 13. | Resistance to Soldering Heat MIL-STD-202 Method 210 | * Solder temperature: 270±5°C * Dipping time: 10±1 sec * Measurement to be made after keeping at room temp. for 24±2 hrs. | * No remarkable damage. * Cap change: NPO: within ±2.5% or 0.25pF whichever is larger * Q. value: NPO: Cap≥30pF, Q≥1000 ; Cap<30pF, Q≥400+20C. * I.R.: ≥10GΩ or RxC≥500Ω-F whichever is smaller. | | | | | | | | | |
| 14. | Thermal Shock MIL-STD-202 Method 107 | * Conduct 300 cycles according to the temperatures and time. <table border="1" data-bbox="399 929 710 1041"> <thead> <tr> <th>Step</th> <th>Temp. (°C)</th> <th>Time (min.)</th> </tr> </thead> <tbody> <tr> <td>1</td> <td>-55°C +0/-3</td> <td>15±3</td> </tr> <tr> <td>2</td> <td>+125°C +3/-0</td> <td>15±3</td> </tr> </tbody> </table> * Max. transfer time: 20 sec. * Measurement to be made after keeping at room temp. for 24±2 hrs. | Step | Temp. (°C) | Time (min.) | 1 | -55°C +0/-3 | 15±3 | 2 | +125°C +3/-0 | 15±3 | * No remarkable damage. * Cap change : NPO: within ±2.5% or 0.25pF whichever is larger. * Q. value: NPO: Cap≥30pF, Q≥1000 ; Cap<30pF, Q≥400+20C. * I.R.: ≥10GΩ or RxC≥500Ω-F whichever is smaller. |
| Step | Temp. (°C) | Time (min.) | | | | | | | | | | |
| 1 | -55°C +0/-3 | 15±3 | | | | | | | | | | |
| 2 | +125°C +3/-0 | 15±3 | | | | | | | | | | |
| 15. | ESD AEC-Q200-002 | Per AEC-Q200-002 | * No remarkable damage. * Cap.: within the specified tolerance. * Q. value: NPO: Cap≥30pF, Q≥1000 ; Cap<30pF, Q≥400+20C. * I.R.: ≥10GΩ or RxC≥500Ω-F whichever is smaller. | | | | | | | | | |
| 16. | Solderability J-STD-002 JESD22-B102E | * Condition A Un-mounted chips 4hrs / 155°C*dry then completely immersed for 5±0.5 sec in solder bath at 235±5°C. * Condition B Un-mounted chips steam 8 hrs then completely immersed for 10±1sec in solder bath at 215+5/-0°C. * Condition C Un-mounted chips steam 8 hrs then completely immersed for 10±1 sec. in solder bath at 260+0/-5°C. | All terminations shall exhibit a continuous solder coating free from defects from a minimum of 95% of the critical surface area of any individual termination. | | | | | | | | | |

* "Room condition" Temperature: 15 to 35°C, Relative humidity: 25 to 75%, Atmospheric pressure: 86 to 106kPa.

| No. | AEC-Q200 Test Item | AEC-Q200 Test Condition | Requirements | | | | |
|--------------------------|--|--|---|------|--------------------------|---------------------|-----------------------|
| 17. | Electrical Characterization | * Capacitance * Q. value Cap≤1000pF 1.0±0.2Vrms, 1MHz±10% Cap>1000pF 1.0±0.2Vrms, 1KHz±10% * Test temp.: Room Temperature. * Insulation Resistance To apply rated voltage(500V max.) for max. 120 sec * Test temp.: Room Temperature.. * Dielectric Strength To apply voltage: ≤100 ≥2.5 times VDC , duration 1~5 sec, charge and discharge current less than 50mA. * Temperature Coefficient (with no electrical load) Operation temperature: -55~125°C at 25°C | * Capacitance within the specified tolerance. * Q. value: NPO: Cap≥30pF, Q≥1000 ; Cap<30pF, Q≥400+20C. * IR. ≥10GΩ or RxC≥500Ω-F whichever is smaller. * Dielectric strength No evidence of damage or flash over during test. * Temperature Coefficient Capacitance Change: NPO: Within ±30ppm/°C | | | | |
| 18. | Board Flex AEC-Q200-005 | * The middle part of substrate shall be pressurized by means of the pressurizing rod at a rate of about 1 mm per second until the deflection becomes 5 mm and then the pressure shall be maintained for 60±1 sec. * Measurement to be made after keeping at room temp. for 24±2 hrs. | * No remarkable damage. * Cap change : NPO: within ±5% or 0.5pF whichever is larger (This capacitance change means the change of capacitance under specified flexure of substrate from the capacitance measured before the test.) | | | | |
| 19. | Terminal Strength AEC-Q200-006 | * Pressurizing force : 2N (0201 & 0402), 10N(0603), 18N(≥0805). * Test time: 60±1 sec. | * No remarkable damage or removal of the terminations. * Capacitance within the specified tolerance. * Q. value: NPO: Cap≥30pF, Q≥1000 ; Cap<30pF, Q≥400+20C. | | | | |
| 20 | Beam Load Test AEC-Q200-003 | * Break strength test * Beam speed: 2.5±0.25 mm/sec | The chip endure following force * Chip length ≤2.5mm: Thickness >0.5mm (20N), ≤0.5mm (8N) * Chip length ≥3.2mm: Thickness ≥1.25mm (54.5N), <1.25mm (15N) | | | | |
| 21 | ESR | The ESR should be measured at room temperature and tested at frequency 1±0.1 GHz. | <table border="1"> <tr> <td>0402</td> </tr> <tr> <td>0.1pF≤Cap≤1pF:< 350mΩ/pF</td> </tr> <tr> <td>1pF<Cap≤5pF:< 300mΩ</td> </tr> <tr> <td>5pF<Cap≤100pF:< 250mΩ</td> </tr> </table> | 0402 | 0.1pF≤Cap≤1pF:< 350mΩ/pF | 1pF<Cap≤5pF:< 300mΩ | 5pF<Cap≤100pF:< 250mΩ |
| 0402 | | | | | | | |
| 0.1pF≤Cap≤1pF:< 350mΩ/pF | | | | | | | |
| 1pF<Cap≤5pF:< 300mΩ | | | | | | | |
| 5pF<Cap≤100pF:< 250mΩ | | | | | | | |

* "Room condition" Temperature: 15 to 35°C, Relative humidity: 25 to 75%, Atmospheric pressure: 86 to 106kPa.

Multilayer Ceramic Capacitors

APPENDIXES

■ Tape & reel dimensions

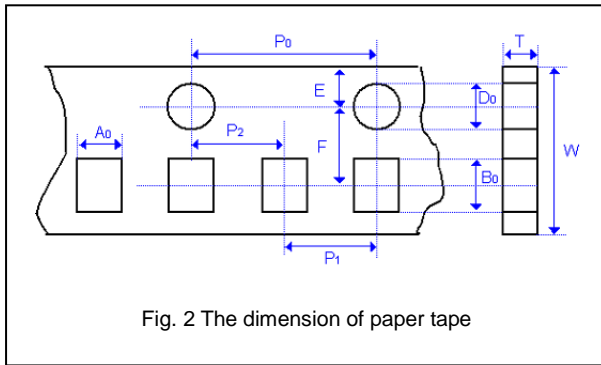


Fig. 2 The dimension of paper tape

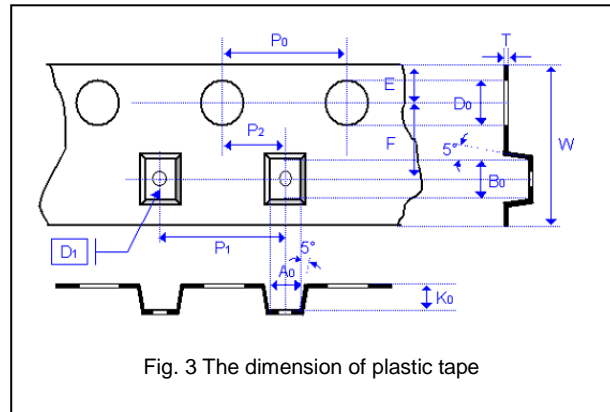


Fig. 3 The dimension of plastic tape

| Size | 0201 | 0402 | 0603 | 0805 | | | 1206 | | | 1210 | | |
|-------------------|------------------|------------------|------------------|------------------|------------------|------------------|------------------|------------------|------------------|------------------|------------------|------------------|
| Thickness | L | N,E | S,H,X | A,H | B,T | D,I | B,T | C,J,D | G,P | T | C,D,G,K | M |
| A ₀ | 0.40 +/-0.10 | 0.70 +/-0.20 | 1.05 +/-0.30 | 1.50 +/-0.20 | 1.50 +/-0.20 | < 1.80 | 1.90 +/-0.50 | < 2.00 | < 2.30 | < 3.05 | < 3.05 | < 3.20 |
| B ₀ | 0.70 +/-0.10 | 1.20 +/-0.20 | 1.80 +/-0.30 | 2.30 +/-0.20 | 2.30 +/-0.20 | < 2.70 | 3.50 +/-0.50 | < 3.70 | < 4.00 | < 3.80 | < 3.80 | < 4.00 |
| T | ≤ 0.55 | ≤ 0.80 | ≤ 1.20 | ≤ 1.15 | ≤ 1.20 | 0.23 +/-0.1 | ≤ 1.20 | 0.23 +/-0.1 | 0.23 +/-0.1 | 0.23 +/-0.1 | 0.23 +/-0.1 | 0.23 +/-0.1 |
| K ₀ | - | - | - | - | - | < 2.50 | - | < 2.50 | < 2.50 | < 1.50 | < 2.50 | < 3.20 |
| W | 8.00 +/-0.30 | 8.00 +/-0.30 | 8.00 +/-0.30 | 8.00 +/-0.30 | 8.00 +/-0.30 | 8.00 +/-0.30 | 8.00 +/-0.30 | 8.00 +/-0.30 | 8.00 +/-0.30 | 8.00 +/-0.30 | 8.00 +/-0.30 | 8.00 +/-0.30 |
| P ₀ | 4.00 +/-0.10 | 4.00 +/-0.10 | 4.00 +/-0.10 | 4.00 +/-0.10 | 4.00 +/-0.10 | 4.00 +/-0.10 | 4.00 +/-0.10 | 4.00 +/-0.10 | 4.00 +/-0.10 | 4.00 +/-0.10 | 4.00 +/-0.10 | 4.00 +/-0.10 |
| 10xP ₀ | 40.00 +/-0.10 | 40.00 +/-0.10 | 40.00 +/-0.20 | 40.00 +/-0.20 | 40.00 +/-0.20 | 40.00 +/-0.20 | 40.00 +/-0.20 | 40.00 +/-0.20 | 40.00 +/-0.20 | 40.00 +/-0.20 | 40.00 +/-0.20 | 40.00 +/-0.20 |
| P ₁ | 2.00 +/-0.05 | 2.00 +/-0.05 | 4.00 +/-0.10 | 4.00 +/-0.10 | 4.00 +/-0.10 | 4.00 +/-0.10 | 4.00 +/-0.10 | 4.00 +/-0.10 | 4.00 +/-0.10 | 4.00 +/-0.10 | 4.00 +/-0.10 | 4.00 +/-0.10 |
| P ₂ | 2.00 +/-0.05 | 2.00 +/-0.05 | 2.00 +/-0.05 | 2.00 +/-0.05 | 2.00 +/-0.05 | 2.00 +/-0.05 | 2.00 +/-0.05 | 2.00 +/-0.05 | 2.00 +/-0.05 | 2.00 +/-0.05 | 2.00 +/-0.05 | 2.00 +/-0.05 |
| D ₀ | 1.50 +0.1/-0 | 1.50 +0.1/-0 | 1.50 +0.1/-0 | 1.50 +0.1/-0 | 1.50 +0.1/-0 | 1.50 +0.1/-0 | 1.50 +0.1/-0 | 1.50 +0.1/-0 | 1.50 +0.1/-0 | 1.50 +0.1/-0 | 1.50 +0.1/-0 | 1.50 +0.1/-0 |
| D ₁ | - | - | - | - | - | 1.00 +/-0.10 | 1.00 +/-0.10 | 1.00 +/-0.10 | 1.00 +/-0.10 | 1.00 +/-0.10 | 1.00 +/-0.10 | 1.00 +/-0.10 |
| E | 1.75 +/-0.10 | 1.75 +/-0.10 | 1.75 +/-0.10 | 1.75 +/-0.10 | 1.75 +/-0.10 | 1.75 +/-0.10 | 1.75 +/-0.10 | 1.75 +/-0.10 | 1.75 +/-0.10 | 1.75 +/-0.10 | 1.75 +/-0.10 | 1.75 +/-0.10 |
| F | 3.50 +/-0.05 | 3.50 +/-0.05 | 3.50 +/-0.05 | 3.50 +/-0.05 | 3.50 +/-0.05 | 3.50 +/-0.05 | 3.50 +/-0.05 | 3.50 +/-0.05 | 3.50 +/-0.05 | 3.50 +/-0.05 | 3.50 +/-0.05 | 3.50 +/-0.05 |

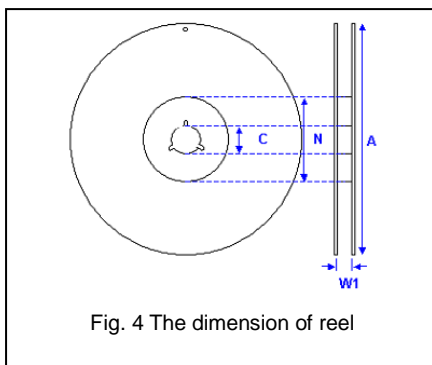
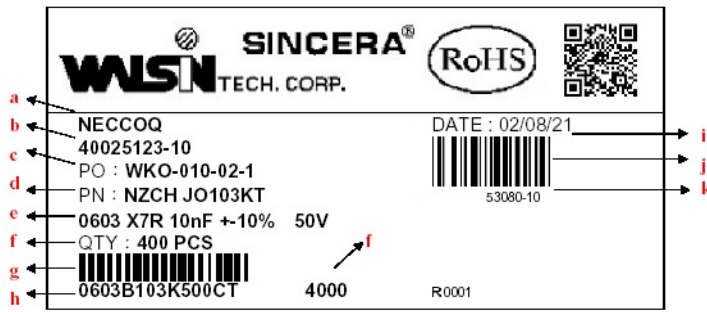


Fig. 4 The dimension of reel

| Size | 0201, 0402, 0603, 0805, 1206, 1210 | | |
|----------------|------------------------------------|-----------|-----------|
| Reel size | 7" | 10" | 13" |
| C | 13.0±0.5 | 13.0±0.5 | 13.0±0.5 |
| W ₁ | 10.0±1.5 | 10.0±1.5 | 10.0±1.5 |
| A | 178.0±2.0 | 250.0±2.0 | 330.0±2.0 |
| N | 60.0+1.0/-0 | 50 min | 50 min |

Multilayer Ceramic Capacitors

Example of customer label



- a. Customer name
- b. WTC order series and item number
- c. Customer P/O
- d. Customer P/N
- e. Description of product
- f. Quantity
- g. Bar code including quantity & WTC P/N or customer
- h. WTC P/N
- i. Shipping date
- j. Order bar code including series and item numbers
- k. Serial number of label

*Customized label is available upon request

Constructions

| No. | Name | NPO |
|-----|------------------|--------------------------------------|
| ① | Ceramic material | Hi-Q dielectric ceramic |
| ② | Inner electrode | Cu |
| ③ | Termination | Inner layer Cu + Conductive Resin |
| ④ | | Middle layer Ni |
| ⑤ | | Outer layer Sn (Matt) |

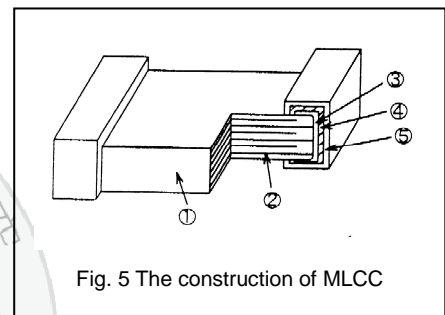


Fig. 5 The construction of MLCC

Storage and handling conditions

- (1) To store products at 5 to 40°C ambient temperature and 20 to 70% related humidity conditions; MSL Level 1.
- (2) The product is recommended to be used within one year after shipment. Check solderability in case of shelf life extension is needed.

Cautions:

- a. The corrosive gas reacts on the terminal electrodes of capacitors, and results in the poor solderability. Do not store the capacitors in the ambience of corrosive gas (e.g., hydrogen sulfide, sulfur dioxide, chlorine, ammonia gas etc.)
- b. In corrosive atmosphere, solderability might be degraded, and silver migration might occur to cause low reliability.
- c. Due to the dewing by rapid humidity change, or the photochemical change of the terminal electrode by direct sunlight, the solderability and electrical performance may deteriorate. Do not store capacitors under direct sunlight or dewing condition. To store products on the shelf and avoid exposure to moisture.

Multilayer Ceramic Capacitors

Recommended soldering conditions

The lead-free termination MLCCs are not only to be used on SMT against lead-free solder paste, but also suitable against lead-containing solder paste. If the optimized solder joint is requested, increasing soldering time, temperature and concentration of N₂ within oven are recommended.

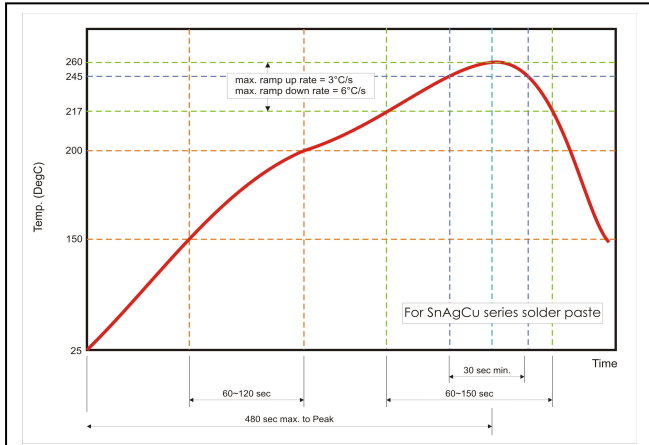


Fig. 5 Recommended reflow soldering profile for SMT process with SnAgCu series solder paste.

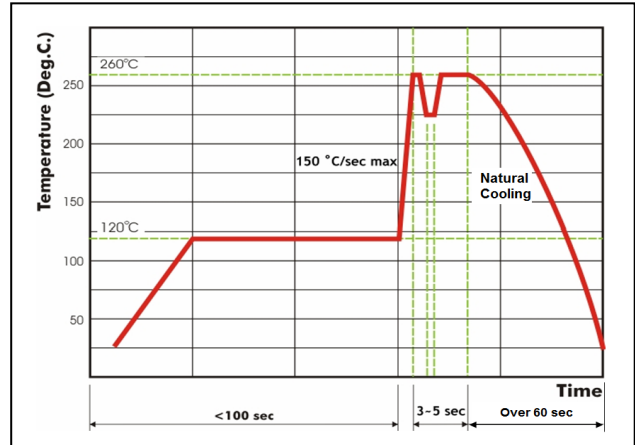


Fig. 6 Recommended wave soldering profile for SMT process with SnAgCu series solder.



X-ON Electronics

Largest Supplier of Electrical and Electronic Components

Click to view similar products for [Multilayer Ceramic Capacitors MLCC - SMD/SMT](#) category:

Click to view products by [Walsin](#) manufacturer:

Other Similar products are found below :

[M39014/02-1218V](#) [M39014/02-1225V](#) [M39014/22-0631](#) [D55342E07B523DR-T/R](#) [NCA1206X7R104K16TRPF](#) [NIN-FB391JTRF](#) [NIN-FC2R7JTRF](#) [NMC0402NPO220J50TRPF](#) [NMC0402X5R105K6.3TRPF](#) [NMC0402X5R224K6.3TRPF](#) [NMC0402X7R103J25TRPF](#) [NMC0402X7R153K16TRPF](#) [NMC0603NPO101F50TRPF](#) [NMC0603NPO1R8C50TRPF](#) [NMC0603NPO201J50TRPF](#) [NMC0603X5R475M6.3TRPF](#) [NMC0805NPO270J50TRPF](#) [NMC0805NPO681F50TRPF](#) [NMC0805NPO820J50TRPF](#) [NMC0805X7R224K16TRPLPF](#) [NMC0805X7R224K25TRPF](#) [NMC1206X7R102K50TRPF](#) [NMC1206X7R475K10TRPLPF](#) [NMC-Q0402NPO8R2D200TRPF](#) [C1206C101J1GAC](#) [C1608C0G2A221J](#) [C1608X7R1E334K](#) [C2012C0G2A472J](#) [2220J2K00562KXT](#) [1812J2K00332KXT](#) [CDR04BX104AKSR](#) [CDR31BX103AKWR](#) [CDR33BX104AKUR](#) [CDR33BX683AKUS](#) [CGA2B2C0G1H010C](#) [CGA2B2C0G1H040C](#) [CGA2B2C0G1H050C](#) [CGA2B2C0G1H060D](#) [CGA2B2C0G1H070D](#) [CGA2B2C0G1H120J](#) [CGA2B2C0G1H151J](#) [CGA2B2C0G1H1R5C](#) [CGA2B2C0G1H2R2C](#) [CGA2B2C0G1H390J](#) [CGA2B2C0G1H391J](#) [CGA2B2C0G1H3R3C](#) [CGA2B2C0G1H680J](#) [CGA2B2C0G1H6R8D](#) [CGA2B2C0G1H820J](#) [CGA2B2X8R1H152K](#)