

APPROVAL SHEET

SR12, SR10, SR08, SR06, SR04

±1%, ±5%

Thick Film High Grade General Purpose
Chip Resistors

Size 1206, 1210, 0805, 0603, 0402

Automotive & Military Qualified

Anti-Sulfuration

*Contents in this sheet are subject to change without prior notice.

FEATURE

1. High reliability and stability $\pm 1\%$
2. Sulfuration resistant ASTM B-809 105°C 750hrs
3. Automotive AEC Q-200 & Military MIL-STD qualified
4. 100% CCD inspection
5. RoHS compliant and Halogen free products

APPLICATION

- Automotive application
- Consumer electrical equipment
- EDP, Computer application
- Telecom application

DESCRIPTION

The resistors are constructed in a high grade ceramic body (aluminum oxide). Internal metal electrodes are added at each end and connected by a resistive paste that is applied to the top surface of the substrate. The extra protective metal film is added onto top side electrodes to protect termination from sulfuration. The composition of the paste is adjusted to give the approximate resistance required and the value is trimmed to within tolerance by laser cutting of this resistive layer.

The resistive layer is covered with a protective coat. Finally, the two external end terminations are added. For ease of soldering the outer layer of these end terminations is a Tin (lead free) alloy.

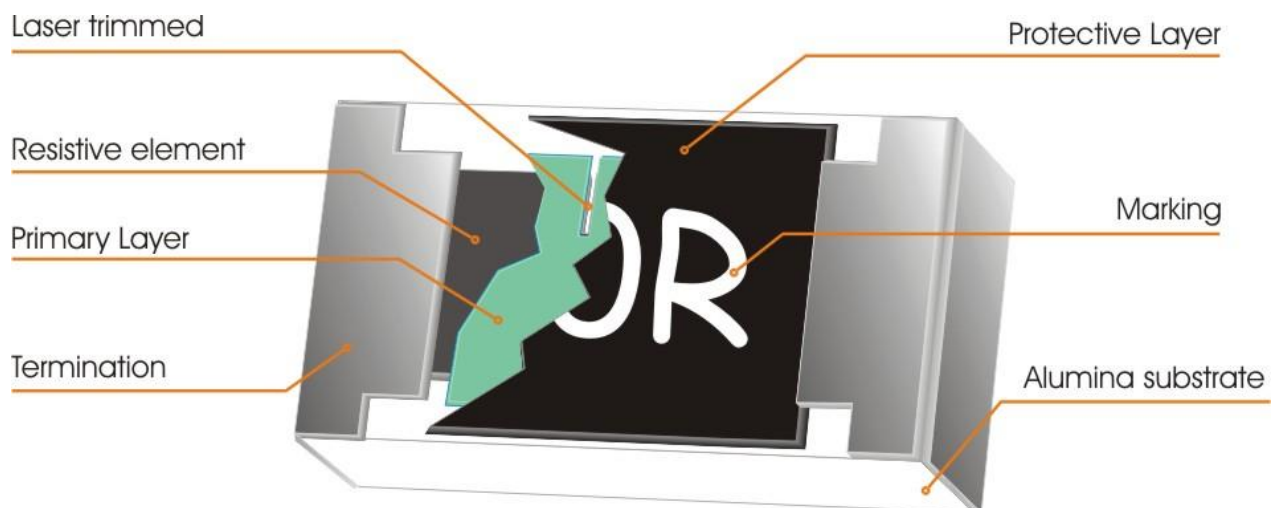


Fig 1. Construction of a Chip-R

QUICK REFERENCE DATA

Item	General Specification									
	SR10		SR12		SR08		SR06		SR04	
Series No.	SR10		SR12		SR08		SR06		SR04	
Size code	1210(3225)		1206(3216)		0805(2012)		0603(1608)		0402(1005)	
Resistance Range	1Ω~10MΩ (±5% tolerance), Jumper 1Ω~10MΩ (±1% tolerance)									
Resistance Tolerance	±1% E96/E24	±5% E24	±1% E96/E24	±5% E24	±1% E96/E24	±5% E24	±1% E96/E24	±5% E24	±1% E96/E24	±5% E24
TCR (ppm/°C)										
R > 1MΩ	≤ ± 200		≤ ± 200		≤ ± 200		≤ ± 200		≤ ± 200	
10Ω < R ≤ 1MΩ	≤ ± 100		≤ ± 100		≤ ± 100		≤ ± 100		≤ ± 100	
R ≤ 10Ω	-200~+400		-200~+400		-200~+400		-200~+400		-200~+400	
Max. dissipation @ T _{amb} =70°C	1/2 W		1/4 W		1/4 W		1/10 W		1/10 W	
Max. Operation Voltage (DC or RMS)	200V		200V		150V		75V		50V	
Max. Overload Voltage (DC or RMS)	400V		400V		300V		150V		100V	
Operation temperature	-55 ~ +155°C									

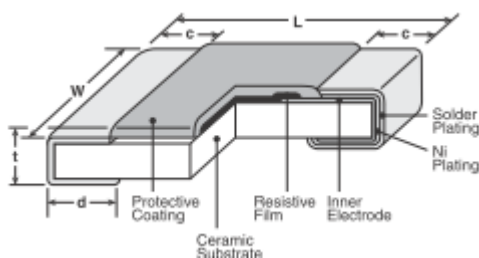
Note :

1. Max. Operation Voltage : So called RCWV (Rated Continuous Working Voltage) is determined by

$$RCWV = \sqrt{\text{Rated Power} \times \text{Resistance Value}} \text{ or Max. RCWV listed above, whichever is lower.}$$

DIMENSIONS (unit : mm)

	SR10	SR12	SR08	SR06	SR04
L	3.10 ± 0.10	3.10 ± 0.10	2.00 ± 0.10	1.60 ± 0.10	1.00 ± 0.05
W	2.60 ± 0.10	1.60 ± 0.10	1.25 ± 0.10	0.80 ± 0.10	0.50 ± 0.05
t	0.55 ± 0.10	0.60 ± 0.15	0.50 ± 0.15	0.45 ± 0.15	0.35 ± 0.05
d	0.50 ± 0.20	0.45 ± 0.20	0.40 ± 0.20	0.30 ± 0.15	0.25 ± 0.10
c	0.50 ± 0.20	0.50 ± 0.20	0.40 ± 0.20	0.30 ± 0.10	0.20 ± 0.10



MARKING

Size \ Nr. Of digit of code\tolerance	$\pm 5\%$	$\pm 1\%$
1210/1206/0805	3-digits marking	4-digits marking
0603 (1608)	3-digits marking	3-digits marking
0402(1005)	NO MARKING	

3-digits marking ($\pm 5\%$: 1210 & 1206 & 0805 & 0603)

Each resistor is marked with a three digits code on the protective coating to designate the nominal resistance value.

3-digits marking ($\pm 1\%$: 0603)

Nominal resistance	Description															
1.E-24 series	As 0603 WR06X $\pm 5\%$.															
2.E-96 series	The 1 st two digit codes are referring to the CODE on the table, the 3 rd code is the index of resistance value : $Y=10^{-2}$, $X=10^{-1}$, $A=10^0$, $B=10^1$, $C=10^2$, $D=10^3$, $E=10^4$, $F=10^5$ EX : 17.8 Ω =25X , 178 Ω =25A , 1K78 =25B 17K8=25C , 178K=25D , 1M78=25E															
3. Remark	There is no marking for the items are not under E-24 and E-96 series															
	CODE	R_value	CODE	R_value	CODE	R_value	CODE	R_value	CODE	R_value	CODE	R_value	CODE	R_value	CODE	R_value
	01	100	13	133	25	178	37	237	49	316	61	422	73	562	85	750
	02	102	14	137	26	182	38	243	50	324	62	432	74	576	86	768
	03	105	15	140	27	187	39	249	51	332	63	442	75	590	87	787
	04	107	16	143	28	191	40	255	52	340	64	453	76	604	88	806
	05	110	17	147	29	196	41	261	53	348	65	464	77	619	89	825
	06	113	18	150	30	200	42	267	54	357	66	475	78	634	90	845
	07	115	19	154	31	205	43	274	55	365	67	487	79	649	91	866
	08	118	20	158	32	210	44	280	56	374	68	499	80	665	92	887
	09	121	21	162	33	215	45	287	57	383	69	511	81	681	93	909
	10	124	22	165	34	221	46	294	58	392	70	523	82	698	94	931
	11	127	23	169	35	226	47	301	59	402	71	536	83	715	95	953
	12	130	24	174	36	232	48	309	60	412	72	549	84	732	96	976

4-digits marking ($\pm 1\%$: 1210/1206/0805)

Each resistor is marked with a four digits code on the protective coating to designate the nominal resistance value.

Example

RESISTANCE	10 Ω	12 Ω	100 Ω	6800 Ω	47000 Ω
3-digits marking (1210/1206/0805/0603 $\pm 5\%$)	100	120	101	682	473
4-digits marking	10R0	12R0	1000	6801	4702

FUNCTIONAL DESCRIPTION

Product characterization

Standard values of nominal resistance are taken from the E24 series for resistors with a tolerance of $\pm 5\%$, and E96 series for resistors with a tolerance of $\pm 1\%$. The values of the E24/E96 series are in accordance with "IEC publication 60063"

Derating

The power that the resistor can dissipate depends on the operating temperature; see Fig.2

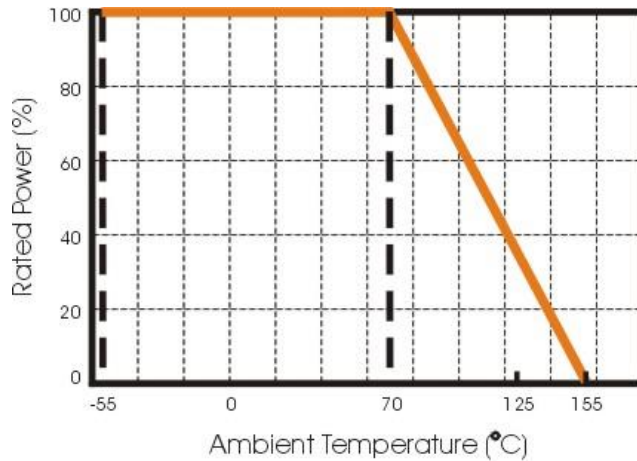


Figure 2 Maximum dissipation in percentage of rated power as a function of the ambient temperature

MOUNTING

Due to their rectangular shapes and small tolerances, Surface Mountable Resistors are suitable for handling by automatic placement systems.

Chip placement can be on ceramic substrates and printed-circuit boards (PCBs).

Electrical connection to the circuit is by individual soldering condition.

The end terminations guarantee a reliable contact.

SOLDERING CONDITION

The robust construction of chip resistors allows them to be completely immersed in a solder bath of 260°C for 10 seconds. Therefore, it is possible to mount Surface Mount Resistors on one side of a PCB and other discrete components on the reverse (mixed PCBs).

Surface Mount Resistors are tested for solderability at 235°C during 2 seconds. The test condition for no leaching is 260°C for 30 seconds. Typical examples of soldering processes that provide reliable joints without any damage are given in Fig 3.

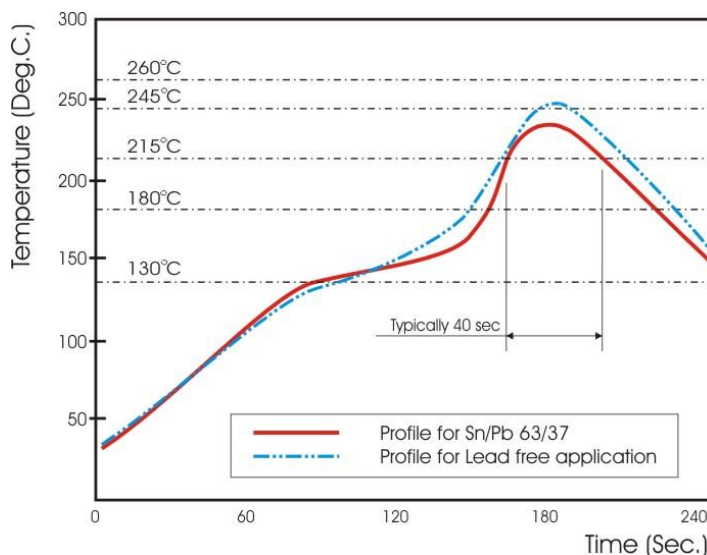


Fig 3. Infrared soldering profile for Chip Resistors

CATALOGUE NUMBERS

The resistors have a catalogue number starting with .

SR12	X	472_	J	T	L
Automotive code	Type code	Resistance code	Tolerance	Packaging code	Termination code
SR10 : 1210	X :	±5%, E24: 2 significant digits	F : ±1%	T : 7" Reeled taping	L = Sn base
SR12 : 1206	Jumper	followed by no. of	J : ±5%	Q : 10" Reeled taping	(lead free)
SR08 : 0805	±5%, 1Ω ~ 10MΩ	zeros and a blank	P : Jumper	G : 13" Reeled taping	
SR06 : 0603	±1%, 10Ω ~ 1MΩ	220Ω = 221_		B : Bulk	
SR04 : 0402	W :	("_" means a blank)			
	±1%, < 10Ω; >1MΩ	±1%, E24+E96: 3 significant digits followed by no. of zeros			
		E24: 102Ω = 1020			
		E96: 37.4KΩ = 3742			

* Anti-Sulfur test conditions: ASTM B-809 105°C, RH 90%, 750hrs, acceptance criteria: +/-2.0%.

SR10, SR12, SR08, SR06:

1. Reeled tape packaging : 8mm width paper taping 5000pcs per 7" reel, 10kpcs per 10" reel, 20kpcs per 13" reel.
2. Bulk packaging : 5000pcs per poly-bag

SR04:

1. Reeled tape packaging : 8mm width paper taping 10,000pcs per reel.
2. Bulk packaging : 10,000pcs per poly-bag

TEST AND REQUIREMENTS

Essentially all tests are carried out according to the schedule of IEC publication 115-8, category **LCT/UCT/56**(rated temperature range : **Lower Category Temperature, Upper Category Temperature**; damp heat, long term, 56 days). The testing also meets the requirements specified by EIA, EIAJ and JIS.

The tests are carried out in accordance with IEC publication 68, "Recommended basic climatic and mechanical robustness testing procedure for electronic components" and under standard atmospheric conditions according to IEC 60068-1, sub-clause 5.3. Unless otherwise specified, the following value supplied :

Temperature: 15 °C to 35 °C.

Relative humidity: 45% to 75%.

Air pressure: 86kPa to 106 kPa (860 mbar to 1060 mbar).

All soldering tests are performed with mildly activated flux.

TEST	PROCEDURE / TEST METHOD	REQUIREMENT	
		Resistor	Ω
Electrical Characteristics JISC5201-1: 1998 Clause 4.8	- DC resistance values measurement - Temperature Coefficient of Resistance (T.C.R) Natural resistance change per change in degree centigrade. $\frac{R_2 - R_1}{R_1(t_2 - t_1)} \times 10^6 \text{ (ppm/°C)}$ $t_1 : 20^\circ\text{C} + 5^\circ\text{C} - 1^\circ\text{C}$ R_1 : Resistance at reference temperature R_2 : Resistance at test temperature	Within the specified tolerance Refer to "QUICK REFERENCE DATA"	
Resistance to soldering heat (R.S.H) MIL-STD-202 method 210	Un-mounted chips completely immersed for 10±1second in a SAC solder bath at 270°C ±5°C	ΔR/R max. ±(0.5%+0.05Ω) No visible damage	<50mΩ
Solderability J-STD-002	a) Bake the sample for 155°C dwell time 4hrs/ solder dipping 235°C / 5sec. b) Steam the sample dwell time 1 hour/ solder dipping 215°C / 5sec. c) Steam the sample dwell time 1 hour/ solder dipping 260°C / 7sec.	95% coverage min., good tinning No visible damage	
Temperature cycling JESD22 method JA-104	1000 cycles, -55°C ~ +155°C, dwell time 5~10min	ΔR/R max. ±(0.5%+0.05Ω) No visible damage	<50mΩ
Moisture Resistance MIL-STD-202 method 106	65±2°C, 80~100% RH, 10 cycles, 24 hours/ cycle	ΔR/R max. ±(0.5%+0.05Ω) No visible damage	<50mΩ
Bias Humidity MIL-STD-202 method 103	1000+48/-0 hours; 85°C, 85% RH, 10% of operation power	ΔR/R max. ±(1.0%+0.05Ω) No visible damage	<50mΩ
Operational Life MIL-STD-202 method 108	1000+48/-0 hours; 35% of operation power, 125±2°C	ΔR/R max. ±(1.0%+0.05Ω) No visible damage	<50mΩ

TEST	PROCEDURE / TEST METHOD	REQUIREMENT	
		Resistor	0Ω
High Temperature Exposure MIL-STD-202 method 108	1000+48/-0 hours; without load in a temperature chamber controlled 155±3°C	ΔR/R max. ±(1.0%+0.05Ω) No visible damage	<50mΩ
Mechanical Shock MIL-STD-202 method 213	1/2 Sine Pulse / 1500g Peak / Velocity 15.4ft/sec	Within the specified tolerance No visible damage	<50mΩ
Board Flex AEC-Q200-005	Resistors mounted on a 90mm glass epoxy resin PCB(FR4), bending once 2mm for 60sec	ΔR/R max.±(1.0%+0.05Ω). No visible damage	<50mΩ
Terminal strength AEC-Q200-006	Pressurizing force: 1Kg, Test time: 60±1sec.	No remarkable damage or removal of the terminations	
Vibration MIL-STD-202 method 204	Test 5g's for 20min., 12 cycles each of 3 orientations	ΔR/R max. ±(1.0%+0.05Ω) No visible damage	<50mΩ
Thermal shock MIL-STD-202 method 107	Test -55 to 155°C / dwell time 15min/ Max transfer time 20sec 300cycles	ΔR/R max. ±(0.5%+0.05Ω) No visible damage	<50mΩ
ESD AEC-Q200-002	Test contact 1.0KV (0.5KV for 0402 only)	ΔR/R max. ±(1.0%+0.05Ω) No visible damage	<50mΩ
Sulfuration test	H2S 1000ppm, 25°C, RH 90%, 720hrs	ΔR/R max. ±(1.0%+0.05Ω) No visible damage	<50mΩ
	ASTM B-809 105°C, 750hrs	ΔR/R max. ±(2.0%+0.05Ω) No visible damage	<50mΩ

TEST CONDITION FOR JUMPER (0 Ω)

Item	SR10	SR12	SR08	SR06	SR04
Power Rating At 70°C	1/3W	1/4W	1/8W	1/10W	1/16W
Resistance	MAX.50mΩ				
Rated Current	2.5A	2A	1.5A	1A	1A
Peak Current	6A	5A	3.5A	3A	2A
Operating Temperature	-55 ~ +155°C				

PACKAGING

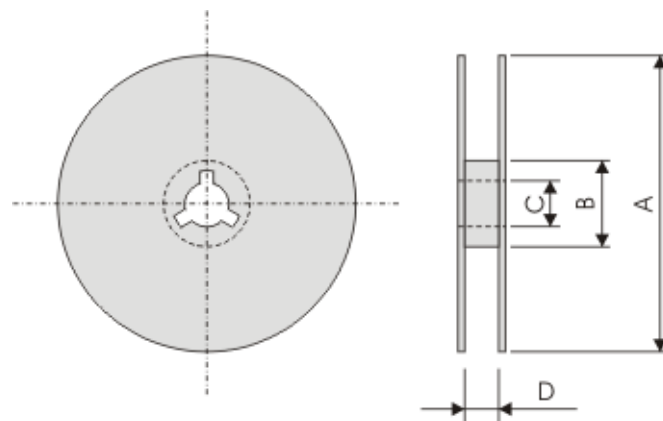
Paper Tape specifications (unit :mm)



Series No.	A	B	W	F	E
SR10	3.60±0.20	3.00±0.20	8.00±0.30	3.50±0.20	1.75±0.10
SR12	3.60±0.20	2.00±0.20			
SR08	2.40±0.20	1.65±0.20			
SR06	1.90±0.20	1.10±0.20			
SR04	1.20±0.10	0.70±0.10			

Series No.	P1	P0	ΦD	T
SR10/12/08	4.00±0.10	4.00±0.10	Φ1.50 ^{+0.1} _{-0.0}	Max. 1.0
SR06				0.65±0.05
SR04				0.40±0.05

7" Reel dimensions



Symbol	A	B	C	D
(unit : mm)	Φ178.0±2.0	Φ60.0±1.0	13.0±0.2	9.0±0.5

X-ON Electronics

Largest Supplier of Electrical and Electronic Components

Click to view similar products for [Thick Film Resistors - SMD category](#):

Click to view products by [Walsin manufacturer](#):

Other Similar products are found below :

[CR-05FL7--150R](#) [CR-05FL7--698K](#) [CR-12FP4--324R](#) [CR-12JP4--680R](#) [M55342K06B10D0RS6](#) [M55342K06B14E0RS6](#)
[M55342K06B1E78RS3](#) [M55342K06B24E9RS6](#) [M55342K06B6E19RWL](#) [M55342K06B6E81RS3](#) [M55342M05B200DRWB](#)
[M55342M06B4K70MS3](#) [MC0603-511-JTW](#) [742C083750JTR](#) [MCR01MZPF1202](#) [MCR01MZPF1601](#) [MCR01MZPF1800](#)
[MCR01MZPF6201](#) [MCR01MZPF9102](#) [MCR01MZPJ113](#) [MCR01MZPJ121](#) [MCR01MZPJ125](#) [MCR01MZPJ751](#) [MCR03EZHJ103](#)
[MCR03EZPFX2004](#) [MCR03EZPJ270](#) [MCR03EZPJ821](#) [MCR10EZPF1102](#) [MCR10EZPF2700](#) [MCR18EZPJ330](#) [RC1005F1152CS](#)
[RC1005F1182CS](#) [RC1005F1372CS](#) [RC1005F183CS](#) [RC1005F1911CS](#) [RC1005F1912CS](#) [RC1005F203CS](#) [RC1005F2052CS](#)
[RC1005F241CS](#) [RC1005F2431CS](#) [RC1005F3011CS](#) [RC1005F303CS](#) [RC1005F4321CS](#) [RC1005F4642CS](#) [RC1005F471CS](#)
[RC1005F4751CS](#) [RC1005F5621CS](#) [RC1005F6041CS](#) [RC1005J106CS](#) [RC1005J121CS](#)