

APPROVAL SHEET

**WF25P, WF20P, WF10P, WF12P, WF08P,
WF06P, WF04P**

$\pm 5\%$, $\pm 1\%$, $\pm 0.5\%$, $\pm 0.1\%$ $1\Omega \sim 10M\Omega$

Thick Film High Power Chip Resistors

Size 2512 2W, 2010 1W, 1210 1/2W,
1206 1/2W, 0805 1/4W, 0603 1/8W, 0402 1/8W

RoHS 2 Compliant with exemption 7C-1
Halogen free

*Contents in this sheet are subject to change without prior notice.

FEATURE

1. High power rating and compact size
2. High reliability and stability
3. Reduced size of final equipment
4. RoHS 2 compliant with exemption 7C-1 and Halogen free products
5. Flame Retardant

APPLICATION

- Power supply
- PDA
- Digital meter
- Computer
- Automotives
- Battery charger
- DC-DC power converter

DESCRIPTION

The resistors are constructed in a high grade ceramic body (aluminum oxide). Internal metal electrodes are added at each end and connected by a resistive paste that is applied to the top surface of the substrate. The composition of the paste is adjusted to give the approximate resistance required and the value is trimmed to nominated value within tolerance which controlled by laser trimming of this resistive layer.

The resistive layer is covered with a protective coat. Finally, the two external end terminations are added. For ease of soldering the outer layer of these end terminations is a Tin (lead free) alloy.

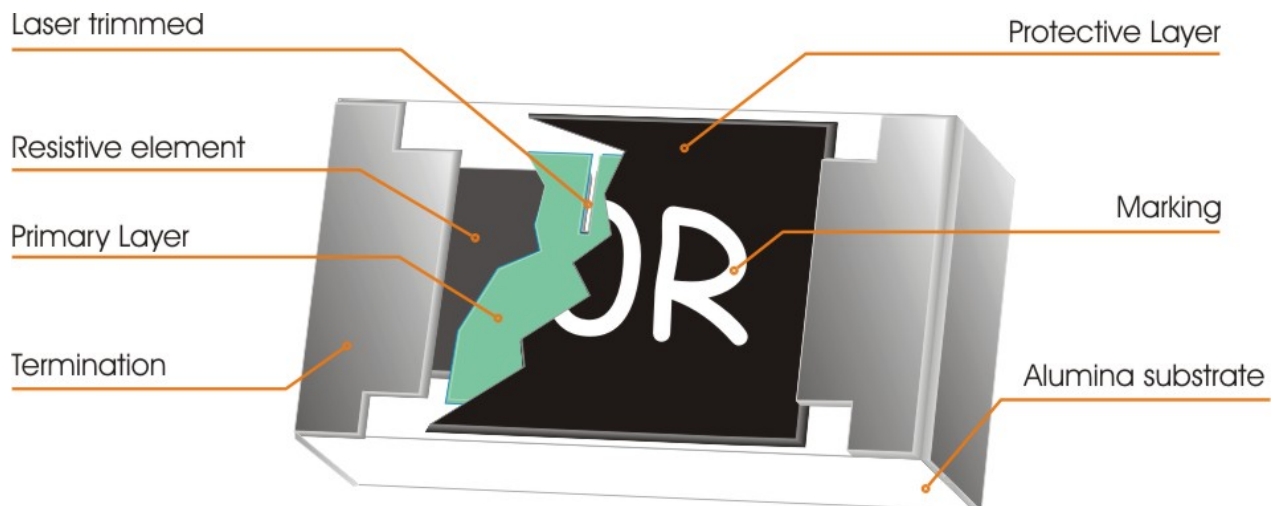


Fig 1. Construction of Chip-R

QUICK REFERENCE DATA

| Item | General Specification | | | | | | |
|--|---|----------------|----------------|----------------|----------------|----------------|----------------|
| Series No. | WF25P | WF20P | WF10P | WF12P | WF08P | WF06P | WF04P |
| Size code | 2512 (6432) | 2010 (5025) | 1210 (3225) | 1206 (3216) | 0805 (2012) | 0603 (1608) | 0402 (1005) |
| Resistance Tolerance | ±1%, ±0.5%, ±0.1% (E24+E96), ±5% (E24) | | | | | | |
| Resistance Range | 0Ω, 1Ω ~ 1MΩ | | | 0Ω, 1Ω ~ 10MΩ | | 0Ω, 1Ω ~ 1MΩ | |
| TCR (ppm/°C) | | | | | | | |
| 10.2Ω ~ 1MΩ | ±100 | ±100 | ±100 | ±100 | ±100 | ±100 | ±100 |
| < 10Ω | ±100 | ±100 | ±100 | ±200 | ±150 | ±150 | -200/+400 |
| Max. dissipation at T _{amb} =70°C | 2 W | 1 W | 1/2 W | 1/2W | 1/4 W | 1/8 W | 1/8 W |
| Max. Operation Voltage | 300V | 200V | 200V | 200V | 150V | 50V | 50V |
| Max. Overload Voltage | 500V | 400V | 400V | 400V | 300V | 100V | 100V |
| Operation Temperature | - 55/+155°C | | | | | | |

Note :

1. This is the maximum voltage that may be continuously supplied to the resistor element, see "IEC publication 60115-8"
2. Max. Operation Voltage : So called RCWV (Rated Continuous Working Voltage) is determined by

$$RCWV = \sqrt{\text{Rated Power} \times \text{Resistance Value}}$$
or Max. RCWV listed above, whichever is lower.
3. 2W loading with total solder-pad and trace size of 300 mm²

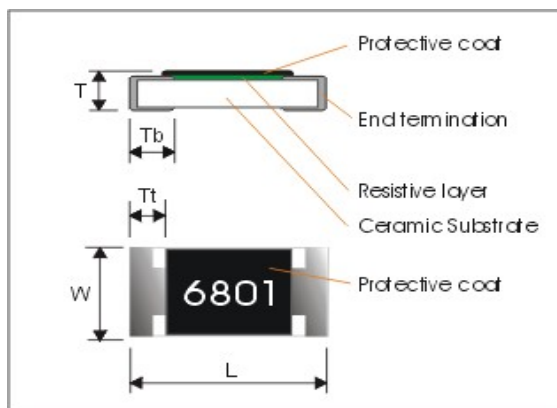
TEST CONDITION FOR JUMPER (0 Ω)

| Item | WF25P | WF20P | WF10P | WF12P | WF08P | WF06P | WF04P |
|-----------------------|--------------|-----------|-----------|-----------|-----------|-----------|-----------|
| Power Rating | 2W | 1W | 1/2W | 1/2W | 1/4W | 1/8W | 1/8W |
| Resistance | Max. 20mΩ | Max. 20mΩ | Max. 20mΩ | Max. 20mΩ | Max. 20mΩ | Max. 20mΩ | Max. 50mΩ |
| Rated Current | 10A | 7A | 5A | 5A | 4A | 2A | 1.5A |
| Peak Current | 25A | 17.5A | 12.5A | 12.5A | 10A | 5A | 3.8A |
| Operating Temperature | -55 ~ +155°C | | | | | | |

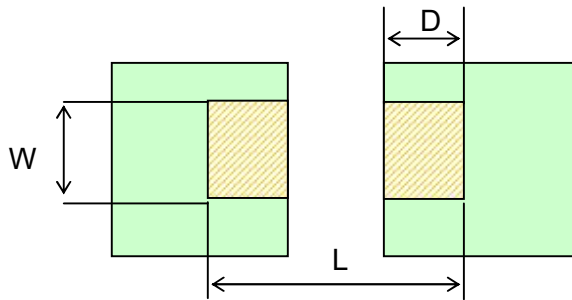
MECHANICAL DATA

Unit: mm

| Symbol | WF25P | WF20P | WF12P | WF10P | WF08P | WF06P | WF04P |
|--------|-------------|-------------|-------------|-------------|-------------|-------------|-------------|
| L | 6.30 ± 0.20 | 5.00 ± 0.20 | 3.10 ± 0.15 | 3.10 ± 0.15 | 2.00 ± 0.10 | 1.60 ± 0.10 | 1.00 ± 0.05 |
| W | 3.10 ± 0.20 | 2.50 ± 0.20 | 1.60 ± 0.15 | 2.50 ± 0.15 | 1.25 ± 0.10 | 0.80 ± 0.10 | 0.50 ± 0.05 |
| T | 0.60 ± 0.15 | 0.60 ± 0.10 | 0.55 ± 0.10 | 0.55 ± 0.10 | 0.50 ± 0.15 | 0.45 ± 0.15 | 0.35 ± 0.05 |
| Tt | 0.60 ± 0.25 | 0.60 ± 0.25 | 0.50 ± 0.25 | 0.50 ± 0.25 | 0.40 ± 0.20 | 0.30 ± 0.10 | 0.20 ± 0.10 |
| Tb | 1.80 ± 0.25 | 0.60 ± 0.25 | 0.50 ± 0.25 | 0.50 ± 0.25 | 0.40 ± 0.20 | 0.30 ± 0.15 | 0.25 ± 0.10 |



Recommended Solder Pad Dimensions



| Type | W | D | L |
|-------|-------|--------|-------|
| WF25P | 3.7mm | 2.45mm | 7.6mm |

MARKING

For 0603 above size, each resistor is marked with a four-digit for 1% tolerance and three-digit for 5% tolerance on the protective coating to designate the nominal resistance value.

For 0603, each resistor is marked with a three-digit!

For 0402, no marking !

For Jumper, 2512/2010 defines 0000, 1206/0805/0603 defines 000.

Example:

102 = 1kΩ



16R0 = 16Ω



FUNCTIONAL DESCRIPTION

Product characterization

Standard values of nominal resistance are taken from the E96 & E24 series for resistors with a tolerance of ±5% & ±1%. The values of the E24/E96 series are in accordance with "IEC publication 60063".

Derating curve

The power that the resistor can dissipate depends on the operating temperature; see Fig.2

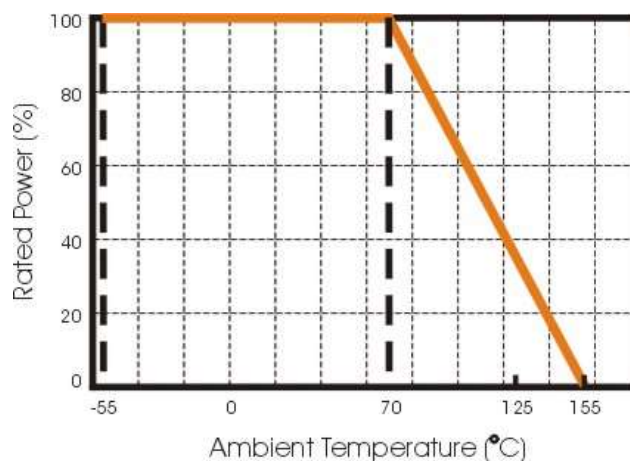


Figure 2 Maximum dissipation in percentage of rated power as a function of the ambient temperature

MOUNTING

Due to their rectangular shapes and small tolerances, Surface Mountable Resistors are suitable for handling by automatic placement systems.

Chip placement can be on ceramic substrates and printed-circuit boards (PCBs).

Electrical connection to the circuit is by individual soldering condition.

The end terminations guarantee a reliable contact.

SOLDERING CONDITION

The robust construction of chip resistors allows them to be completely immersed in a solder bath of 260°C for 10 seconds. Therefore, it is possible to mount Surface Mount Resistors on one side of a PCB and other discrete components on the reverse (mixed PCBs).

Surface Mount Resistors are tested for solderability at 235°C during 2 seconds. The test condition for no leaching is 260°C for 30 seconds. Typical examples of soldering processes that provide reliable joints without any damage are given in Fig 3.

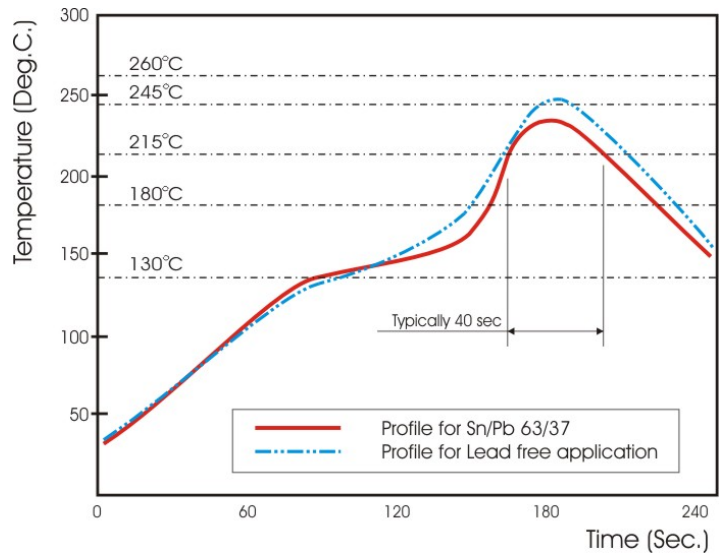


Fig 3. Infrared soldering profile for Chip Resistors

CATALOGUE NUMBERS

The resistors have a catalogue number starting with .

| WF25 | P | 102 | J | T | L |
|------------------|------------------|--|------------------|---------------------------------|-------------------------|
| Size code | Type code | Resistance code | Tolerance | Packaging code | Termination code |
| WF25 : 2512 | P :Power | 5% E24: 2 significant digits followed by No. of zeros e.g.: | J : ±5% | T : 7" Reel taping | L = Sn base (lead free) |
| WF20 : 2010 | 2512 size = 2W | 3ohm =3R0 | F : ±1% | E : 7" Reel up side down taping | |
| WF12 : 1206 | 2010 size = 1W | 10ohm =100 | D : ±0.5% | | |
| WF10 : 1210 | 1206 size = 1/2W | 56Kohm =563 | B : ±0.1% | | |
| WF08 : 0805 | 1210 size = 1/2W | 1% E24+E96: 3 significant digits followed by No. of zeros | P : Jumper | | |
| WF06 : 0603 | 0805 size = 1/4W | 100Ω =1000 | | | |
| WF04 : 0603 | 0603 size = 1/8W | 37.4KΩ =3742 | | | |
| WF04 : 0402 | 0402 size = 1/8W | | | | |

Tape packaging WF12, WF10, WF08, WF06 : 8mm width paper taping 5,000pcs per reel.

WF04: 8mm width paper taping 10,000pcs per reel.

WF25, WF20: 12mm width plastic taping 4,000pcs per reel.

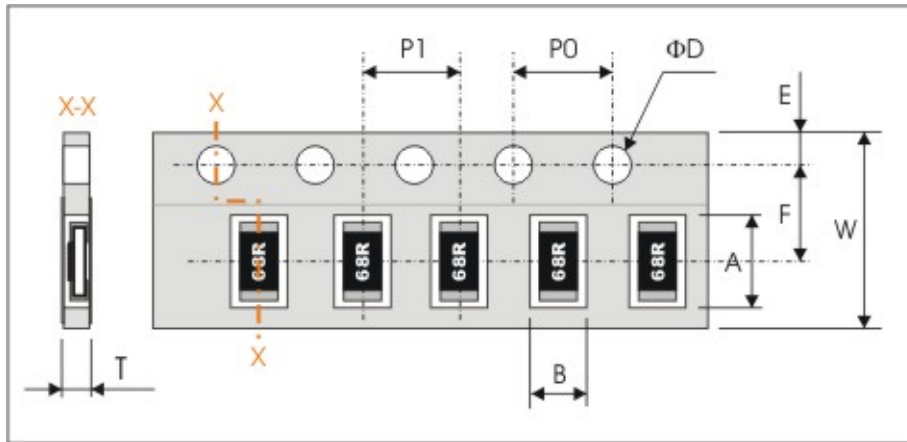
TEST AND REQUIREMENTS

Basic specification : JIS C 5201-1 : 1998

| TEST | PROCEDURE | REQUIREMENT |
|--|---|---|
| Clause 4.8 Temperature Coefficient of Resistance (TCR) | Natural resistance change per change in degree centigrade. $\frac{R_2 - R_1}{R_1(t_2 - t_1)} \times 10^6 \text{ (ppm/}^\circ\text{C)}$ R ₁ : Resistance at reference temperature R ₂ : Resistance at test temperature t ₁ : 20°C+5°C-1°C | Refer to quick reference data for T.C.R specification |
| Clause 4.13 Short time overload | 5.0× Rated power or Max. Overload Voltage for 5 sec. Measure resistance after 30 minutes.. | ΔR/R max. J: ≤ ±(2%+0.1Ω) B,D, F: ≤ ±(1%+0.05Ω) |
| Clause 4.18 Resistance to soldering heat | Un-mounted chips completely immersed for 10±1second in a SAC solder bath at 260°C±5°C | No visible damage ΔR/R max. J: ≤ ±(1%+0.1Ω) B,D, F: ≤ ±(0.5%+0.05Ω) |
| Clause 4.17 Solderability | Un-mounted chips completely immersed for 2±0.5 second in a SAC solder bath at 235°C±5°C | Good tinning (>95% covered) No visible damage |
| Clause 4.18 Leach Test | Un-mounted chips completely immersed for 60±1second in a solder bath at 260°C±5°C | Ditto |
| Clause 4.19 Temperature cycling | 30 minutes at -55°C±3°C, 2~3 minutes at 20°C+5°C-1°C, 30 minutes at +155°C±3°C, 2~3 minutes at 20°C+5°C-1°C, total 5 continuous cycles | No visible damage ΔR/R max. J ≤ ±(1%+0.1Ω) B,D,F ≤ ±(0.5%+0.05Ω) |
| Clause 4.25 Load life (endurance) | 1000 +48/-0 hours, loaded with RCWV or Vmax in chamber controller 70±2°C, 1.5 hours on and 0.5 hours off | No visible damage ΔR/R max. J ≤ ±(3%+0.1Ω) B,D,F ≤ ±(1%+0.05Ω) |
| Clause 4.24 Load life in Humidity | 1000 +48/-0 hours, loaded with RCWV or Vmax in humidity chamber controller at 40°C±2°C and 90~95% relative humidity, 1.5hours on and 0.5 hours off | No visible damage ΔR/R max. J ≤ ±(3%+0.1Ω) B,D,F ≤ ±(1%+0.05Ω) |
| Clause 4.33 Bending strength | Resistors mounted on a 90mm glass epoxy resin PCB(FR4); bending : 2 mm(2512;2010) 3mm(1206), once for 10 seconds | No visible damage ΔR/R max. J ≤ ±(1%+0.1Ω) B,D,F ≤ ±(0.5%+0.05Ω) |
| Clause 4.32 Adhesion | Pressurizing force: 5N, Test time: 10±1sec | No remarkable damage or removal of the terminations |
| Insulation Resistance Clause 4.6 | Apply the maximum overload voltage (DC) for 1minute | R ≥ 10GΩ |
| Dielectric Withstand Voltage Clause 4.7 | Apply the maximum overload voltage (AC) for 1 minute | No breakdown or flashover |

PACKAGING

Paper Tape(WF12P, WF10P, WF08P, WF06P, WF04P) & Plastic Tape(WF25P;WF20P)

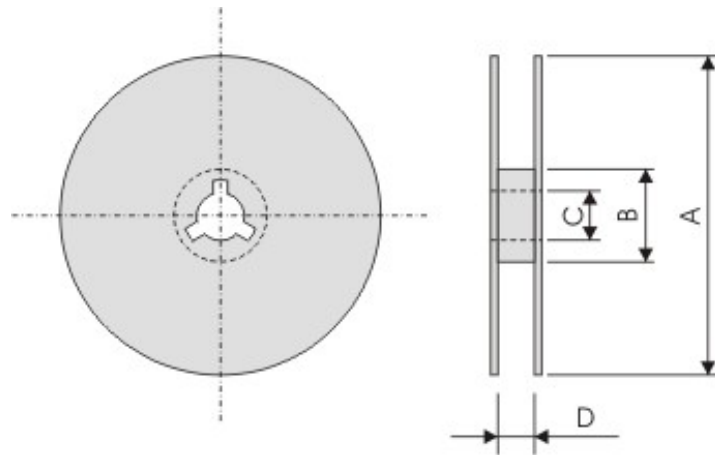


(unit :mm)

| Series No. | A | B | W | F | E |
|------------|-----------|-----------|------------|-----------|-----------|
| WF25P | 6.90±0.20 | 3.60±0.20 | 12.00±0.30 | 5.50±0.10 | 1.75±0.10 |
| WF20P | 5.50±0.20 | 2.80±0.20 | | | |
| WF12P | 3.60±0.20 | 2.00±0.20 | 8.00±0.30 | 3.50±0.20 | 1.75±0.10 |
| WF10P | 3.60±0.20 | 3.00±0.20 | 8.00±0.30 | 3.50±0.20 | 1.75±0.10 |
| WF08P | 2.40±0.20 | 1.65±0.20 | 8.00±0.30 | 3.50±0.20 | 1.75±0.10 |
| WF06P | 1.90±0.20 | 1.10±0.20 | 8.00±0.30 | 3.50±0.20 | 1.75±0.10 |
| WF04P | 1.20±0.10 | 0.70±0.10 | 8.00±0.30 | 3.50±0.20 | 1.75±0.10 |

| Series No. | P1 | P0 | ΦD | T |
|------------|-----------|-----------|---------------------------------------|-----------|
| WF25P | 4.00±0.10 | 4.00±0.10 | Φ1.50 ^{+0.1} _{-0.0} | Max. 1.2 |
| WF20P | | | | Max. 1.0 |
| WF12P | | | | Max. 1.0 |
| WF10P | 4.00±0.10 | 4.00±0.10 | Φ1.50 ^{+0.1} _{-0.0} | Max. 1.0 |
| WF08P | 4.00±0.10 | 4.00±0.10 | Φ1.50 ^{+0.1} _{-0.0} | Max. 1.0 |
| WF06P | 4.00±0.10 | 4.00±0.10 | Φ1.50 ^{+0.1} _{-0.0} | 0.65±0.05 |
| WF04P | 2.00±0.10 | 4.00±0.10 | Φ1.50 ^{+0.1} _{-0.0} | 0.40±0.05 |

Reel dimensions



(unit : mm)

| Reel / Tape | A | B | C | D |
|-----------------------|------------|-----------|----------|----------|
| 7" reel for 12mm tape | Φ178.0±2.0 | Φ60.0±1.0 | 13.0±0.2 | 12.4±1.0 |
| 7" reel for 8mm tape | | | | 9.0±0.5 |

X-ON Electronics

Largest Supplier of Electrical and Electronic Components

Click to view similar products for [Thick Film Resistors - SMD category](#):

Click to view products by [Walsin manufacturer](#):

Other Similar products are found below :

[CR-05FL7--150R](#) [CR-05FL7--698K](#) [CR-12FP4--324R](#) [CR-12JP4--680R](#) [CRCW04021K20FKEE](#) [CRCW06032K10FKEC](#)
[CRCW06036K80FKEE](#) [M55342K03B499DRS6](#) [M55342K06B6E19RWL](#) [M55342M06B26E7RS3](#) [742C083750JTR](#) [MCR01MZPF1202](#)
[MCR01MZPF1601](#) [MCR01MZPF1800](#) [MCR01MZPF6201](#) [MCR01MZPF9102](#) [MCR01MZPJ121](#) [MCR01MZPJ125](#) [MCR01MZPJ751](#)
[MCR03EZHJ103](#) [MCR03EZPF2004](#) [MCR03EZPJ270](#) [MCR03EZPJ821](#) [MCR10EZPF1102](#) [MCR10EZPF2700](#) [MCR18EZPJ330](#)
[RC1005F1152CS](#) [RC1005F1372CS](#) [RC1005F1912CS](#) [RC1005F2052CS](#) [RC1005F3011CS](#) [RC1005F471CS](#) [RC1005F4751CS](#)
[RC1005F5621CS](#) [RC1005F6041CS](#) [RC1005J106CS](#) [RC1005J121CS](#) [RC1005J122CS](#) [RC1005J154CS](#) [RC1005J180CS](#) [RC1005J181CS](#)
[RC1005J202CS](#) [RC1005J391CS](#) [RC1005J512CS](#) [RC1005J560CS](#) [RC1005J683CS](#) [RC1005J823CS](#) [RC1608F1022CS](#) [RC1608F333CS](#)
[RC1608F3651CS](#)