

APPROVAL SHEET

WR10X(W)

±1%, ±5%

Thick film Technology

General purpose chip resistors

Size 1210

FEATURE

1. High reliability and stability
2. Reduced size of final equipment
3. Lower assembly costs
4. Higher component and equipment reliability
5. RoHS compliant and Lead free products

APPLICATION

- Consumer electrical equipment
- Automotive application
- EDP, Computer application
- Telecom application

DESCRIPTION

The resistors are constructed in a high grade ceramic body (aluminum oxide). Internal metal electrodes are added at each end and connected by a resistive paste that is applied to the top surface of the substrate. The composition of the paste is adjusted to give the approximate resistance required and the value is trimmed to nominated value within tolerance which controlled by laser trimming of this resistive layer.

The resistive layer is covered with a protective coat. Finally, the two external end terminations are added. For ease of soldering the outer layer of these end terminations is Tin (lead free) alloy.



Fig 1. Construction of Chip-R

QUICK REFERENCE DATA

| Item | General Specification |
|--|--|
| Series No. | WR10X(W) |
| Size code | 1210 (3225) |
| Resistance Tolerance | ±1% (E96/E24), ±5% (E24) |
| Resistance Range | Jumper, 1Ω ~ 10MΩ (E96+E24 series) |
| TCR (ppm/°C) -55°C ~ +155°C | > 10R , ≤ ± 100 ppm/°C 1R ~ 10R, ≤ ± 200 ppm/°C |
| Max. dissipation at T _{amb} =70°C | 1/3 W (0.33 W) |
| Max. Operation Voltage (DC or RMS) | 200V |
| Max. Overload Voltage (DC or RMS) | 400V |
| Climatic category | 55/155/56 |

| | |
|-----------------------|-------------|
| Type | WR10X |
| Power Rating At 70C | 1/3 W |
| Resistance | Max. 50mR |
| Rated Current | 2.5 A |
| Peak Current | 6 A |
| Operating Temperature | -55C ~ 155C |

Note :

- This is the maximum voltage that may be continuously supplied to the resistor element, see "IEC publication 60115-8"
- Max. Operation Voltage : So called RCWV (Rated Continuous Working Voltage) is determined by

$$RCWV = \sqrt{\text{Rated Power} \times \text{Resistance Value}} \text{ or Max. RCWV listed above, whichever is lower.}$$

DIMENSIONS(unit : mm)

| Part No | WR10X |
|---------|----------------|
| L | 3.10 ± 0.10 |
| W | 2.60 ± 0.10 |
| Tt | 0.50 ± 0.20 |
| Tb | 0.50 ± 0.20 *1 |
| T | 0.55 ± 0.10 |

*1 original 0.45+/-0.20



MARKING

3-digits marking ($\pm 5\%$)

Each resistor is marked with a three digits code on the protective coating to designate the nominal resistance value.

4-digits marking ($\pm 1\%$)

Each resistor is marked with a four digits code on the protective coating to designate the nominal resistance value.

Example

| RESISTANCE | 90 Ω | 100 Ω | 6800 Ω | 47000 Ω |
|------------------|-------------|--------------|---------------|----------------|
| 4-digits marking | 90R0 | 1000 | 6801 | 4702 |
| 3-digits marking | - | 101 | 682 | 473 |

FUNCTIONAL DESCRIPTION

Product characterization

Standard values of nominal resistance are taken from the E96 & E24 series for resistors with a tolerance of $\pm 1\%$, $\pm 5\%$. The values of the E24/E96 series are in accordance with "IEC publication 60063".

Derating

The power that the resistor can dissipate depends on the operating temperature; see Fig.2

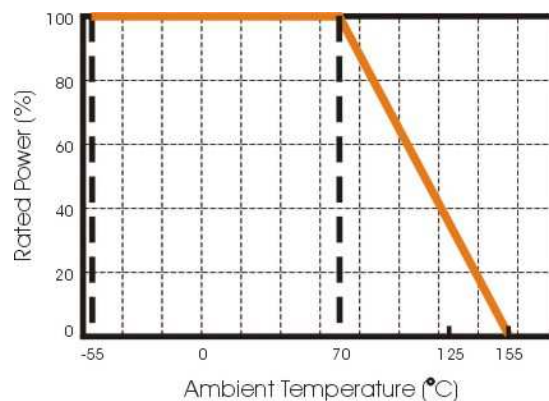


Figure 2 Maximum dissipation in percentage of rated power as a function of the ambient temperature

MOUNTING

Due to their rectangular shapes and small tolerances, Surface Mountable Resistors are suitable for handling by automatic placement systems.

Chip placement can be on ceramic substrates and printed-circuit boards (PCBs).

Electrical connection to the circuit is by individual soldering condition.

The end terminations guarantee a reliable contact.

SOLDERING CONDITION

The robust construction of chip resistors allows them to be completely immersed in a solder bath of 260°C for 10 seconds. Therefore, it is possible to mount Surface Mount Resistors on one side of a PCB and other discrete components on the reverse (mixed PCBs).

Surface Mount Resistors are tested for solderability at 235°C during 2 seconds. The test condition for no leaching is 260°C for 30 seconds. Typical examples of soldering processes that provide reliable joints without any damage are given in Fig 3.

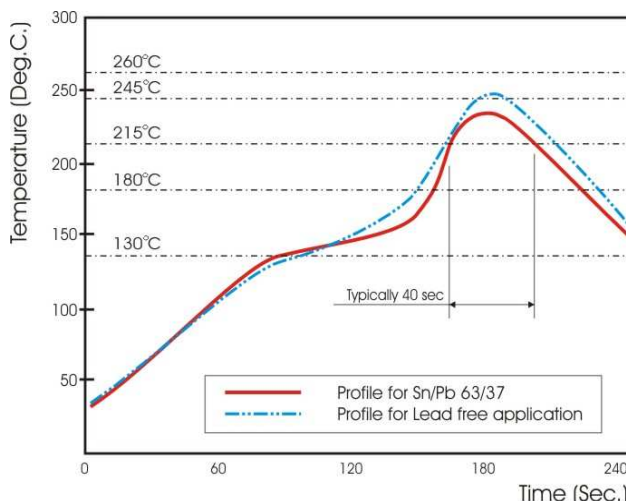


Fig 3. Infrared soldering profile for Chip Resistors

CATALOGUE NUMBERS

The resistors have a catalogue number starting with .

| WR10 | X | 4702 | F | T | L |
|--------------------------------|---|--|---|--|--|
| Size code WR10: 1210 | Type code X : 5%: 1R ~ 10M 1%: 10R ~ 1M W: 1%: < 10R; > 1M0 | Resistance code 5%, E24: 2 significant digits followed by no. of zeros 100Ω = 101_ 10KΩ = 103 1% E24+E96: 3 significant digits followed by no. of zeros 102Ω =1020 37.4KΩ =3742 220Ω =2200 | Tolerance J: ± 5% F: ± 1% P: Jumper | Packaging code T: 7" Reeled taping | Termination code L = Sn base (lead free) |

- Reeled tape packaging : 8mm width paper taping 5000pcs per 7" reel.

TEST AND REQUIREMENTS(JIS C 5201-1 : 1998)

The tests are carried out in accordance with IEC publication 68, "Recommended basic climatic and mechanical robustness testing procedure for electronic components" and under standard atmospheric conditions according to IEC 68-1, subclause 5.3, unless otherwise specified.

Temperature: 15°C to 35°C.

Relative humidity: 45% to 75%.

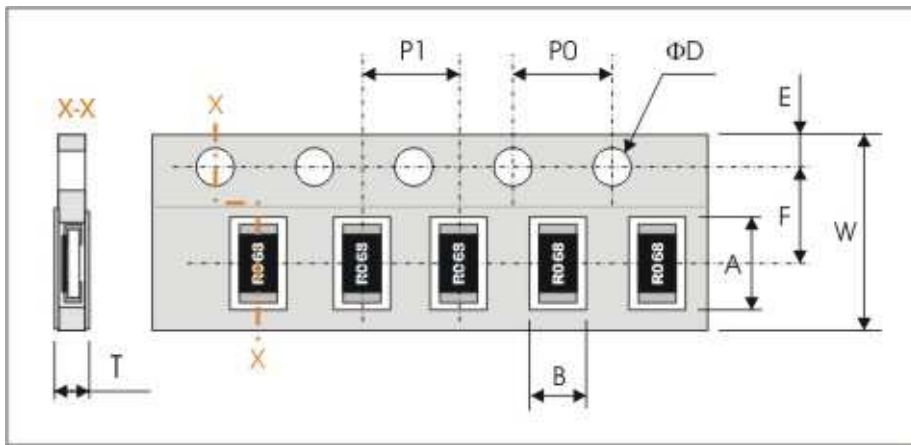
Air pressure: 86kPa to 106 kPa (860 mbar to 1060 mbar).

| TEST | PROCEDURE / TEST METHOD | REQUIREMENT | |
|---|---|---|--------|
| | | Resistor | 0Ω |
| DC resistance Clause 4.5 | DC resistance values measured at the test voltages specified below : <10Ω@0.1V, <100Ω@0.3V, <1KΩ@1.0V, <10KΩ@3V, <100KΩ@10V, <1MΩ@25V, <10MΩ@30V | Within the specified tolerance | <50mΩ |
| Temperature Coefficient of Resistance(T.C.R) Clause 4.8 | Natural resistance change per change in degree centigrade. $\frac{R_2 - R_1}{R_1(t_2 - t_1)} \times 10^6 \text{ (ppm/°C)}$ $t_1 : 20^\circ\text{C}+5^\circ\text{C}-1^\circ\text{C}$ R ₁ : Resistance at reference temperature R ₂ : Resistance at test temperature | Refer to "QUICK REFERENCE DATA" | N/a |
| Short time overload (S.T.O.L) Clause 4.13 | Permanent resistance change after a 5second application of a voltage 2.5 times RCWV or the maximum overload voltage specified in the above list, whichever is less. | ΔR/R max. ±(2%+0.10Ω) | <50mΩ |
| Resistance to soldering heat(R.S.H) Clause 4.18 | Un-mounted chips completely immersed for 10±1second in a SAC solder bath at 260°C±5°C | ΔR/R max. ±(1%+0.05Ω) no visible damage | <50mΩ |
| Solderability Clause 4.17 | Un-mounted chips completely immersed for 2±0.5 second in a SAC solder bath at 235°C±5°C | 95% coverage min., good tinning and no visible damage | |
| Temperature cycling Clause 4.19 | 30 minutes at -55°C±3°C, 2~3 minutes at 20°C+5°C-1°C, 30 minutes at +155°C±3°C, 2~3 minutes at 20°C+5°C-1°C, total 5 continuous cycles | ΔR/R max. ±(1%+0.05Ω) | < 50mΩ |
| Damp Heat (Load life in humidity) Clause 4.24 | 1000 +48/-0 hours, loaded with RCWV or V _{max} in humidity chamber controller at 40°C±2°C and 90~95% relative humidity, 1.5hours on and 0.5 hours off | 10Ω≤R<1MΩ : ΔR/R max. ±(3%+0.10Ω) R<10Ω, R≥1MΩ : ΔR/R max. ±(5%+0.10Ω) | < 50mΩ |
| Load Life (Endurance) Clause 4.25 | 1000+48/-0 hours; loaded with RCWV or V _{max} in chamber controller 70±2°C, 1.5 hours on and 0.5 hours off | Ditto. | |
| Bending strength Clause 4.33 | Resistors mounted on a 90mm glass epoxy resin PCB(FR4), bending once 3mm for 10sec. | No visual damaged, ΔR/R max. ±(1%+0.05Ω) | < 50mΩ |
| Adhesion Clause 4.32 | Pressurizing force: 5N, Test time: 10±1sec. | No remarkable damage or removal of the terminations | |

| TEST | PROCEDURE / TEST METHOD | REQUIREMENT | |
|---|---|---------------------------|----|
| | | Resistor | 0Ω |
| Insulation Resistance Clause 4.6 | Apply the maximum overload voltage (DC) for 1 minutes | $R \geq 10G\Omega$ | |
| Dielectric Withstand Voltage Clause 4.7 | Apply the maximum overload voltage (AC) for 1 minutes | No breakdown or flashover | |

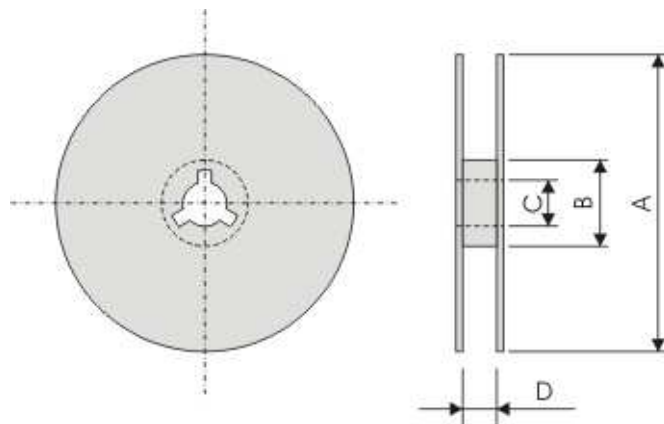
PACKAGING

Paper Tape specifications (unit :mm)



| | | | | | |
|-------------------------|-----------|-----------|-----------|-----------|---------------------------------------|
| Component Size / Series | W | F | E | P0 | ΦD |
| WR10X | 8.00±0.30 | 3.50±0.20 | 1.75±0.10 | 4.00±0.10 | Φ1.50 ^{+0.1} _{-0.0} |
| Component Size / Series | A | B | P1 | T | |
| WR10X | 3.60±0.20 | 3.00±0.20 | 4.00±0.10 | Max. 1.0 | |

Reel dimensions



| | | | | |
|-------------|------------|-----------|----------|---------|
| Symbol | A | B | C | D |
| (unit : mm) | Φ178.0±2.0 | Φ60.0±1.0 | 13.0±0.2 | 9.0±0.5 |

Taping quantity

- Chip resistors 5,000 pcs/reel

X-ON Electronics

Largest Supplier of Electrical and Electronic Components

Click to view similar products for [Thick Film Resistors - SMD category](#):

Click to view products by [Walsin manufacturer](#):

Other Similar products are found below :

[CR-05FL7--150R](#) [CR-05FL7--698K](#) [CR-12FP4--324R](#) [CR-12JP4--680R](#) [M55342K06B10D0RS6](#) [M55342K06B14E0RS6](#)
[M55342K06B1E78RS3](#) [M55342K06B24E9RS6](#) [M55342K06B6E19RWL](#) [M55342K06B6E81RS3](#) [M55342M05B200DRWB](#)
[M55342M06B4K70MS3](#) [MC0603-511-JTW](#) [742C083750JTR](#) [MCR01MZPF1202](#) [MCR01MZPF1601](#) [MCR01MZPF1800](#)
[MCR01MZPF6201](#) [MCR01MZPF9102](#) [MCR01MZPJ113](#) [MCR01MZPJ121](#) [MCR01MZPJ125](#) [MCR01MZPJ751](#) [MCR03EZHJ103](#)
[MCR03EZPF2004](#) [MCR03EZPJ270](#) [MCR03EZPJ821](#) [MCR10EZPF1102](#) [MCR10EZPF2700](#) [MCR10EZPF4702](#) [MCR18EZPJ330](#)
[RC1005F1152CS](#) [RC1005F1182CS](#) [RC1005F1372CS](#) [RC1005F183CS](#) [RC1005F1911CS](#) [RC1005F1912CS](#) [RC1005F203CS](#)
[RC1005F2052CS](#) [RC1005F241CS](#) [RC1005F2431CS](#) [RC1005F3011CS](#) [RC1005F303CS](#) [RC1005F4321CS](#) [RC1005F4642CS](#)
[RC1005F471CS](#) [RC1005F4751CS](#) [RC1005F5621CS](#) [RC1005F6041CS](#) [RC1005J106CS](#)