

APPROVAL SHEET

**WW25W, WW20W, WW10W, WW12W,
WW08W, WW06W**

±1%, ±5%

Thick Film Normal Low Ohm Chip Resistors
RoHS Exemption free and Lead free
Size 2512, 2010, 1210, 1206, 0805, 0603

*Contents in this sheet are subject to change without prior notice.

FEATURE

1. High power rating and low TCR
2. High reliability and stability
3. Reduced size of final equipment
4. RoHS exemption free and Lead free products

APPLICATION

- Power supply
- PDA
- Digital meter
- Computer
- Automotives
- Battery charger
- DC-DC power converter

DESCRIPTION

The resistors are constructed in a high grade ceramic body (aluminum oxide). Internal metal electrodes are added at each end and connected by a resistive paste that is applied to the top surface of the substrate. The composition of the paste is adjusted to give the approximate resistance required and the value is trimmed to nominated value within tolerance which controlled by laser trimming of this resistive layer.

The resistive layer is covered with a protective coat. Finally, the two external end terminations are added. For ease of soldering the outer layer of these end terminations is Tin (lead free) alloy.



Fig 1. Construction of Chip-R

QUICK REFERENCE DATA

| Item | General Specification | | | | | |
|--|--|--|---|--|--|--------------------------------------|
| Series No. | WW25W | WW20W | WW10W | WW12W | WW08W | WW06W |
| Size code | 2512 (6432) | 2010 (5025) | 1210 (3225) | 1206 (3216) | 0805 (2012) | 0603 (1608) |
| Resistance Tolerance | ±5%, ±1% | | | | | |
| Resistance Range | 0.010Ω ~ 0.910Ω, E24 | | | | | 0.050Ω ~ 0.910Ω, E24 |
| TCR (ppm/°C) | 10 - 20mΩ: ±1000 22 - 39mΩ: ±600 40 - 47mΩ: ±200 50 - 91mΩ: ±100 100 - 910mΩ: ±100 | 10 - 20mΩ: ±1000 22 - 39mΩ: ±600 40 - 47mΩ: ±200 50 - 91mΩ: ±100 100 - 910mΩ: ±100 | 10 - 20mΩ: ±600 22 - 39mΩ: ±400 40 - 47mΩ: ±200 50 - 91mΩ: ±100 100 - 910mΩ: ±100 | 10 - 20mΩ: ±1000 22 - 39mΩ: ±600 40 - 47mΩ: ±200 50 - 91mΩ: ±100 100 - 910mΩ: ±100 | 10 - 20mΩ: ±1000 22 - 39mΩ: ±600 40 - 47mΩ: ±400 50 - 91mΩ: ±200 100 - 910mΩ: ±100 | 50 - 91mΩ: ±400 100 - 910mΩ: ±200 |
| Max. dissipation at T _{amb} =70°C | 1 W | 3/4W | 2/3 W | 1/3 W | 1/4 W | 1/8 W |
| Operation temperature | -55 ~ +155°C | | | | | |

MECHANICAL DATA

| Symbol | WW25W | WW20W | WW10W | WW12W | WW08W | WW06W |
|--------|-------------|-------------|-------------|-------------|-------------|-------------|
| L | 6.30 ± 0.20 | 5.00 ± 0.20 | 3.10 ± 0.10 | 3.10 ± 0.10 | 2.00 ± 0.10 | 1.60 ± 0.10 |
| W | 3.10 ± 0.20 | 2.50 ± 0.20 | 2.60 ± 0.10 | 1.60 ± 0.10 | 1.25 ± 0.10 | 0.80 ± 0.10 |
| T | 0.60 ± 0.15 | 0.60 ± 0.10 | 0.55 ± 0.10 | 0.55 ± 0.10 | 0.50 ± 0.10 | 0.45 ± 0.10 |
| Tt | 0.60 ± 0.25 | 0.60 ± 0.25 | 0.50 ± 0.25 | 0.50 ± 0.25 | 0.40 ± 0.20 | 0.30 ± 0.20 |
| Tb | 0.90 ± 0.25 | 0.60 ± 0.25 | 0.50 ± 0.25 | 0.50 ± 0.25 | 0.40 ± 0.20 | 0.30 ± 0.20 |

RECOMMENDED SOLDERING PAD

| Symbol | WW25W | WW20W | WW10W | WW12W | WW08W | WW06W |
|--------|--------|--------|--------|--------|--------|--------|
| WL | 3.70mm | 3.00mm | 3.00mm | 1.80mm | 1.30mm | 0.90mm |
| D | 1.60mm | 1.50mm | 1.30mm | 1.30mm | 1.15mm | 1.00mm |
| L | 7.60mm | 6.80mm | 4.70mm | 4.70mm | 3.50mm | 3.00mm |

MARKING

- **4-digits marking for 2512, 2010, 1210, 1206, 0805 size**

Each resistor is marked with a four-digit code on the protective coating to designate the nominal resistance value.

- **3-digits marking for 0603 size**
- Each resistor is marked with a three -digit code on the protective coating to designate the nominal resistance value.

Resistance Marking (E-24 Series)

| | |
|-------------|---|
| R150 | 4 digit marking for $\pm 1\%$, $\pm 5\%$ 0805 , 1206 , 1210, 2010 , 2512 Examples. R150 = 150 m Ω , R020 = 20 m Ω |
| R50 | 3 digit marking for $\pm 1\%$, $\pm 5\%$ 0603 Examples. R12 = 120 m Ω , R50 = 500 m Ω |
| 47M | 3 digit marking for $\pm 1\%$, $\pm 5\%$ 0603 (47m Ω ~91m Ω) Examples. 20M = 20 m Ω |

FUNCTIONAL DESCRIPTION

Product characterization

Standard values of nominal resistance are taken from the E24 series for resistors with a tolerance of $\pm 5\%$ & $\pm 1\%$. The values of the E24 series are in accordance with "IEC publication 60063".

Derating curve

The power that the resistor can dissipate depends on the operating temperature; see Fig.2

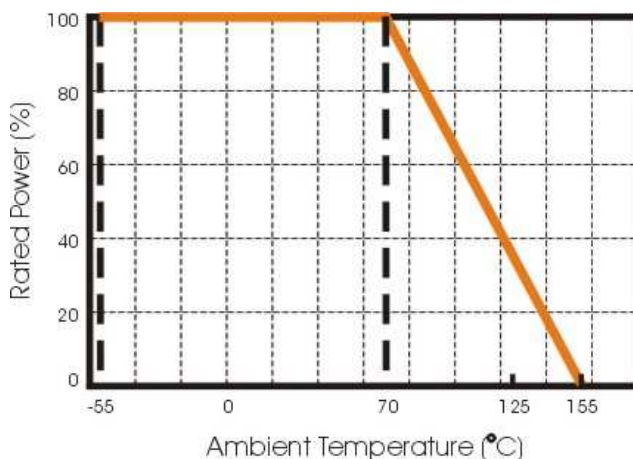


Figure 2 Maximum dissipation in percentage of rated power as a function of the ambient temperature

MOUNTING

Due to their rectangular shapes and small tolerances, Surface Mountable Resistors are suitable for handling by automatic placement systems.

Chip placement can be on ceramic substrates and printed-circuit boards (PCBs).

Electrical connection to the circuit is by individual soldering condition.

The end terminations guarantee a reliable contact.

SOLDERING CONDITION

The robust construction of chip resistors allows them to be completely immersed in a solder bath of 260°C for 10 seconds. Therefore, it is possible to mount Surface Mount Resistors on one side of a PCB and other discrete components on the reverse (mixed PCBs).

Surface Mount Resistors are tested for solderability at 235°C during 2 seconds. The test condition for no leaching is 260°C for 30 seconds. Typical examples of soldering processes that provide reliable joints without any damage are given in Fig 3.

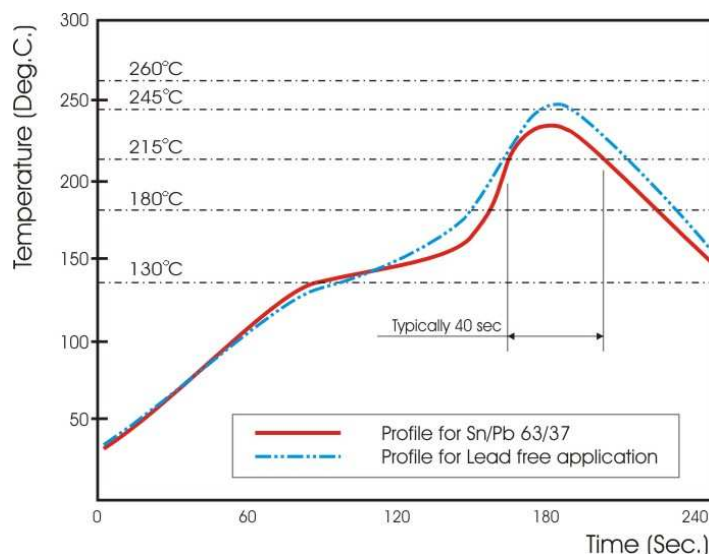


Fig 3. Infrared soldering profile

CATALOGUE NUMBERS

The resistors have a catalogue number starting with:

| WW12 | W | R020 | F | T | L |
|------------------|--|------------------------|------------------|-----------------------|----------------------------|
| Size code | Type code | Resistance code | Tolerance | Packaging code | Termination code |
| WW25 : 2512 | W : Thick film Power low ohm low TCR | 0.020Ω = R020 | J : ±5% | T : 7" Reel taping | L = Sn base (lead free) |
| WW20 : 2010 | | 0.510Ω = R510 | F : ±1% | Q : 10" Reel taping | |
| WW10 : 1210 | | 0.025Ω = R025 | | G : 13" Reel taping | |
| WW12 : 1206 | | | | | |
| WW08 : 0805 | | | | | |
| WW06 : 0603 | | | | | |

Tape packaging WW10, WW12, WW08, WW06 : 8mm width paper taping

- 5,000pcs per 7" reel;
- 10,000pcs per 10" reel;
- 20,000pcs per 13" reel.

WW25, WW20: 12mm width emboss taping

- 4,000pcs per 7" reel;
- 8,000pcs per 10" reel;
- 16,000pcs per 13" reel.

TEST AND REQUIREMENTS(JIS C 5201-1 : 1998)

| TEST | PROCEDURE | REQUIREMENT |
|---|--|---|
| Temperature Coefficient of Resistance(T.C.R) Clause 4.8 | Natural resistance change per change in degree centigrade. $\frac{R_2 - R_1}{R_1(t_2 - t_1)} \times 10^6 \text{ (ppm/}^\circ\text{C)}$ $t_1 : 25^\circ\text{C}$ R_1 : Resistance at reference temperature 25°C R_2 : Resistance at test temperature 155°C | Refer to "QUICK REFERENCE DATA" |
| Short time overload (S.T.O.L) Clause 4.13 | Permanent resistance change after a 5second application of a 5 times rated power. | J: $\Delta R/R$ max. $\pm(2\%+0.5\text{m}\Omega)$ F: $\Delta R/R$ max. $\pm(1\%+0.5\text{m}\Omega)$ |
| Solderability Clause 4.17 | Un-mounted chips completely immersed for 3 ± 0.5 second in a SAC solder bath at $245^\circ\text{C} \pm 2^\circ\text{C}$ | good tinning (>95% covered) no visible damage |
| Resistance to soldering heat(R.S.H) Clause 4.18 | Un-mounted chips completely immersed for 10 ± 1 second in a SAC solder bath at $260^\circ\text{C} \pm 5^\circ\text{C}$ | no visible damage J: $\Delta R/R$ max. $\pm(1\%+0.5\text{m}\Omega)$ F: $\Delta R/R$ max. $\pm(0.5\%+0.5\text{m}\Omega)$ |
| Temperature cycling Clause 4.19 | 30 minutes at $-55^\circ\text{C} \pm 3^\circ\text{C}$, 2~3 minutes at $20^\circ\text{C} + 5^\circ\text{C} - 1^\circ\text{C}$, 30 minutes at $+155^\circ\text{C} \pm 3^\circ\text{C}$, 2~3 minutes at $20^\circ\text{C} + 5^\circ\text{C} - 1^\circ\text{C}$, total 5 continuous cycles | no visible damage J: $\Delta R/R$ max. $\pm(1\%+0.5\text{m}\Omega)$ F: $\Delta R/R$ max. $\pm(0.5\%+0.5\text{m}\Omega)$ |
| Load life (endurance) Clause 4.25 | 1000 +48/-0 hours, loaded with RCWV or Vmax in chamber controller $70\pm 2^\circ\text{C}$, 1.5 hours on and 0.5 hours off | J: $\Delta R/R$ max. $\pm(3\%+0.5\text{m}\Omega)$ F: $\Delta R/R$ max. $\pm(1\%+0.5\text{m}\Omega)$ |
| Load life in Humidity Clause 4.24 | 1000 +48/-0 hours, loaded with RCWV or Vmax in humidity chamber controller at $40^\circ\text{C} \pm 2^\circ\text{C}$ and 90~95% relative humidity, 1.5hours on and 0.5 hours off | J: $\Delta R/R$ max. $\pm(3\%+0.5\text{m}\Omega)$ F: $\Delta R/R$ max. $\pm(1\%+0.5\text{m}\Omega)$ |
| Bending strength Clause 4.33 | Resistors mounted on a 90mm glass epoxy resin PCB(FR4); bending : 3mm for 0603/0805, 2mm for 1206 and above sizes, once for 10 seconds | no visible damage J: $\Delta R/R$ max. $\pm(1\%+0.5\text{m}\Omega)$ F: $\Delta R/R$ max. $\pm(0.5\%+0.5\text{m}\Omega)$ |
| Adhesion Clause 4.32 | Pressurizing force: 5N, Test time: 10 ± 1 sec. | No remarkable damage or removal of the terminations |
| Insulation Resistance Clause 4.6 | Test voltage: $100\pm 15\text{V}$ | $I.R \geq 1\text{G}\Omega$ |

PACKAGING

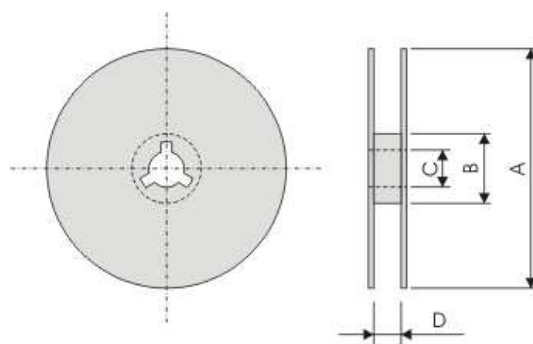
Paper Tape specifications (unit :mm)



| Series No. | A | B | W | F | E |
|------------|-----------|-----------|------------|-----------|-----------|
| WW25W | 6.70±0.20 | 3.50±0.20 | 12.00±0.30 | 3.50±0.20 | 1.75±0.10 |
| WW20W | 5.50±0.20 | 2.80±0.20 | 12.00±0.30 | | |
| WW10W | 3.60±0.20 | 3.00±0.20 | 8.00±0.30 | | |
| WW12W | 3.60±0.20 | 2.00±0.20 | | | |
| WW08W | 2.40±0.20 | 1.65±0.20 | | | |
| WW06W | 1.90±0.20 | 1.10±0.20 | | | |

| Series No. | P1 | P0 | ΦD | T |
|------------|-----------|-----------|---------------------------------------|----------|
| WW25W | 4.00±0.10 | 4.00±0.10 | Φ1.50 ^{+0.1} _{-0.0} | Max. 1.2 |
| WW20W | | | | Max. 1.2 |
| WW10W | | | | Max. 1.0 |
| WW12W | | | | Max. 1.0 |
| WW08W | | | | Max. 1.0 |
| WW06W | | | | Max. 0.8 |

Reel dimensions



| Symbol | A | B | C | D |
|----------|------------|------------|----------|-----------------------|
| 7" reel | Φ178.0±2.0 | Φ60.0±1.0 | 13.0±0.5 | 10.0±1.5 (8mm tape) |
| 10" reel | Φ254.0±2.0 | Φ100.0±1.0 | | 13.8±1.5 (12mm tape) |
| 13: reel | Φ330.0±2.0 | Φ100.0±1.0 | | |

X-ON Electronics

Largest Supplier of Electrical and Electronic Components

Click to view similar products for [Current Sense Resistors - SMD category](#):

Click to view products by [Walsin manufacturer](#):

Other Similar products are found below :

[CRL0603-FW-R700ELF](#) [PFS35-200RF1](#) [NPS 2-T126 5.000 OHM 1%](#) [PFS35-0R01J1](#) [PFS35-0R05J1](#) [PFS35-5RF1](#) [CD2015FC-0.10-1%](#)
[PR2512FKF7W0R004L](#) [RC1005F124CS](#) [RL73K3AR56JTDF](#) [RL7520WT-R001-F](#) [RL7520WT-R009-G](#) [RL7520WT-R020-F](#)
[RLP73N1ER43JTD](#) [LRC-LR2512LF-01-R820J](#) [WR06X104JGLJ](#) [TL2BR01F](#) [65709-330](#) [SP1R12J](#) [RL7520WT-R039-G](#) [RL7520WT-R002-F](#)
[LRF2010-R003JW](#) [KRL1632E-C-R200-F-T5](#) [KRL1632E-C-R200-F-T1](#) [Y14880R02000B9R](#) [RLP73M1ER051FTDF](#) [RLP73M2AR051FTDF](#)
[RLP73M2AR075FTDF](#) [RLP73M1JR051FTDF](#) [RLP73N1JR47FTDF](#) [SR731ERTTP5R10F](#) [SR731ERTTP100J](#) [SR731ERTTP6R80F](#)
[SR731ERTTP4R70F](#) [SR731ERTTP2R20F](#) [SR731ERTTP3R90F](#) [SR731ERTTP1R00F](#) [SR731ERTTP10R0F](#) [SR731ERTTP2R00F](#)
[SR731ERTTP8R20F](#) [SR731ERTTP3R9J](#) [SR731ERTTP8R2J](#) [SR731ERTTP2R0J](#) [SR731ERTTP4R7J](#) [SR731ERTTP9R1J](#) [SR731ERTTP1R0J](#)
[SR731ERTTP2R2J](#) [SR731ERTTP5R1J](#) [SR731ERTTP6R8J](#) [SR731ERTTP9R10F](#)