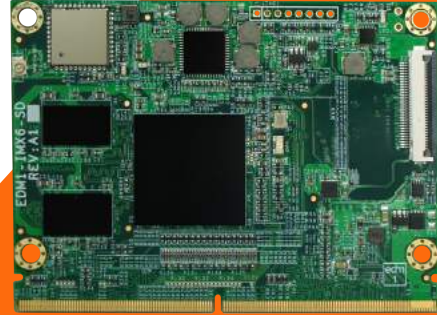




# NXP i.MX6 Cortex-A9

low cost open source community development System on Module

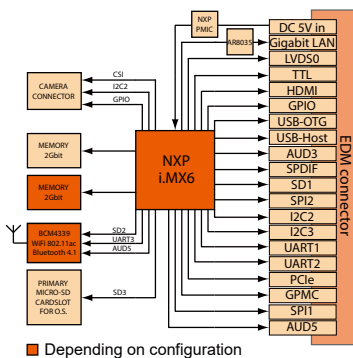


## Specifications

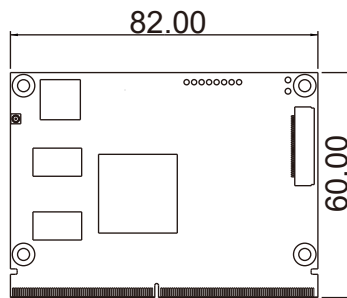
	EDM1-IMX6S-MSD	EDM1-IMX6U-MSD-BW	EDM1-IMX6Q-MSD-BW	EDM1-IMX6QP-MSD-BW
<b>Processor</b>	NXP i.MX6 Solo	NXP i.MX6 DualLite	NXP i.MX6 Quad	NXP i.MX6 QuadPlus
<b>Architecture</b>	ARM Cortex-A9	ARM Cortex-A9	ARM Cortex-A9	ARM Cortex-A9
<b>PMIC</b>	x	NXP MMPF0100	NXP MMPF0100	NXP MMPF0100
<b>Memory</b>	512 MB DDR3	1 GB DDR3	2 GB DDR3	2 GB DDR3
<b>Storage</b>	MicroSD Cardslot	MicroSD Cardslot	MicroSD Cardslot	MicroSD Cardslot
<b>Gigabit LAN</b>	✓	✓	✓	✓
<b>WiFi/Bluetooth</b>	x	✓	✓	✓
<b>HDMI</b>	✓	✓	✓	✓
<b>LVDS</b>	✓	✓	✓	✓
<b>RGB TTL</b>	✓	✓	✓	✓
<b>LAN</b>	✓	✓	✓	✓
<b>PCIe</b>	✓	✓	✓	✓
<b>USB</b>	✓	✓	✓	✓
<b>USB OTG</b>	✓	✓	✓	✓
<b>I<sup>2</sup>S</b>	✓	✓	✓	✓
<b>SPDIF</b>	✓	✓	✓	✓
<b>SATA</b>	x	x	✓	✓
<b>SDIO</b>	✓	✓	✓	✓
<b>CAN</b>	✓	✓	✓	✓
<b>UART</b>	✓	✓	✓	✓
<b>SPI</b>	✓	✓	✓	✓
<b>I<sup>2</sup>C</b>	✓	✓	✓	✓
<b>GPMC</b>	✓	✓	✓	✓
<b>PWM</b>	✓	✓	✓	✓
<b>GPIO</b>	✓	✓	✓	✓

Complete Schematics, Source Code and Documentation can be found on: [www.wandboard.org](http://www.wandboard.org)

## Block Diagram



## Dimensional Drawing



## Order Information

Model Name	Description
EDM1-IMX6S-MSD	Wandboard i.MX6 Solo SoM
EDM1-IMX6U-MSD-BW	Wandboard i.MX6 DualLite SoM
EDM1-IMX6Q-MSD-BW	Wandboard i.MX6 Quad SoM
EDM1-IMX6QP-MSD-BW	Wandboard i.MX6 QuadPlus SoM
EDMCONNECTORKIT	EDM connector kit (10 sets)
WBANTENNAKIT	Wandboard antenna kit
CAM-OV5645	Camera module

## X-ON Electronics

Largest Supplier of Electrical and Electronic Components

*Click to view similar products for [System-On-Modules - SOM category](#):*

*Click to view products by [Wandboard manufacturer](#):*

Other Similar products are found below :

[COMX-CORE-310](#) [COMX-P4040-4G-ENP2](#) [PICOIMX6U10R1GBNI4G](#) [PICOIMX6U10R1GBNI4GBW](#) [MC27561-TIGER](#) [MC27561-LION](#) [CC-WMX6UL-SMPL](#) [CB-52-PUS-110-SX](#) [BD63725BEFV-EVK-002](#) [5728-PJ-4AA-RI](#) [A00150](#) [COMX\\_P4080](#) [A20-SOM-EVB](#) [RK3188-SOM](#) [RK3188-SOM-4GB](#) [100-1225-1](#) [PICOIMX6Q10R1GBNI4G](#) [Nit6Q](#) [A20-SOM-N8GB](#) [PER-TAICX-A10-001](#) [PER-TAIX2-A10-2280](#) [EDL-mPCIe-MA2485](#) [SOM-5897C7-U0A1E](#) [SOM-6896C7-U2A1E](#) [SCM180-Dual-2G\\_Industrial](#) [3354-HX-X38-RC](#) [5728-PJ-4AA-RC](#) [6455-JE-3X5-RC](#) [Morph-IC-II](#) [ET876-X7LV](#) [IFC6301-10-P2](#) [IFC6502-00-P1](#) [IFC67A1-00-P1](#) [IFC6701-00-P1](#) [iW-G33M-SCMQ-4L002G-E008G-BII](#) [PWSE1000200B](#) [CS-DEPTHAI-04](#) [MTQ-LNA7-B02](#) [MYC-C8MMQ6-8E2D-180-C](#) [MYD-C4378-4E512D-100-I](#) [MOD5213-100IR](#) [A20-SOM](#) [A20-SOM204-1G](#) [A20-SOM204-1GS16ME16G-MC](#) [AM3352-SOM-EVB](#) [BS1-IC](#) [BS2-IC](#) [102110278](#) [SLS16Y2\\_792C\\_256R\\_256N\\_0SF\\_I](#) [SLS12RT52\\_528C\\_0R\\_4QSPI\\_0SF\\_I](#)