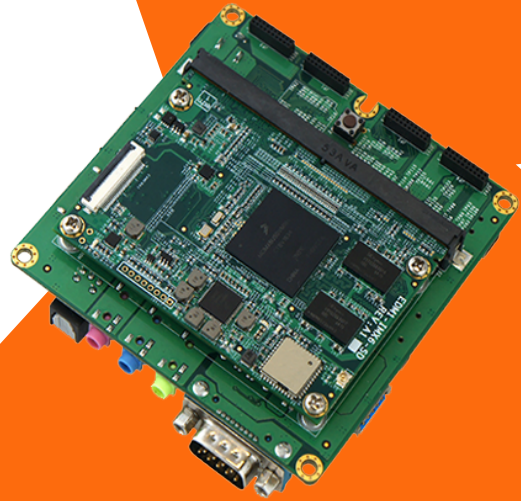




# NXP i.MX6 Cortex-A9

low cost open source community development board

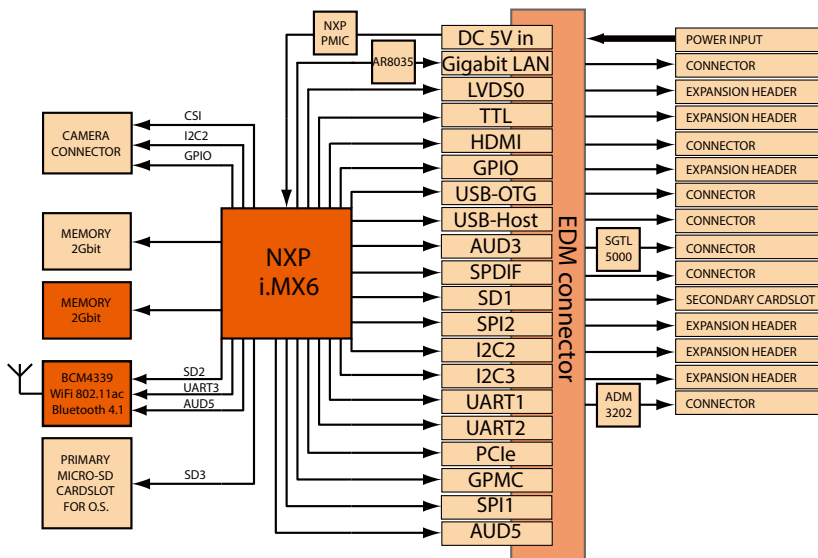


## Specifications

	Wandboard Solo	Wandboard Dual	Wandboard Quad	Wandboard Quad Plus
<b>Processor</b>	NXP i.MX6 Solo	NXP i.MX6 DualLite	NXP i.MX6 Quad	NXP i.MX6 QuadPlus
<b>Architecture</b>	ARM Cortex-A9	ARM Cortex-A9	ARM Cortex-A9	ARM Cortex-A9
<b>PMIC</b>	x	NXP MMPF0100	NXP MMPF0100	NXP MMPF0100
<b>Memory</b>	512 MB DDR3	1 GB DDR3	2 GB DDR3	2 GB DDR3
<b>Storage</b>	MicroSD Cardslot	MicroSD Cardslot	MicroSD Cardslot	MicroSD Cardslot
<b>Gigabit LAN</b>	✓	✓	✓	✓
<b>WiFi/Bluetooth</b>	x	✓	✓	✓
<b>Audio</b>	✓	✓	✓	✓
<b>Optical S/PDIF</b>	✓	✓	✓	✓
<b>HDMI</b>	✓	✓	✓	✓
<b>Camera interface</b>	✓	✓	✓	✓
<b>Serial port</b>	✓	✓	✓	✓
<b>Expansion header</b>	✓	✓	✓	✓
<b>USB</b>	✓	✓	✓	✓
<b>USB OTG</b>	✓	✓	✓	✓
<b>SATA connector</b>	x	x	✓	✓

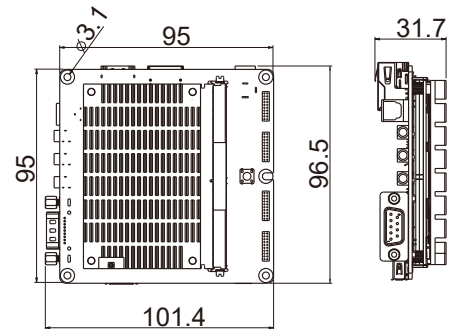
Complete Schematics, Source Code and Documentation can be found on: [www.wandboard.org](http://www.wandboard.org)

## Block Diagram



■ Depending on configuration

## Dimensional Drawing



## Order Information

Model Name	Description
WB-IMX6S	Wandboard i.MX6 Solo
WB-IMX6U-BW	Wandboard i.MX6 DualLite
WB-IMX6Q-BW	Wandboard i.MX6 Quad
WB-IMX6QP-BW	Wandboard i.MX6 QuadPlus
WBENCLOSURE	Wandboard enclosure
WBANTENNAKIT	Wandboard antenna kit
CAM-OV5645	Camera module

## X-ON Electronics

Largest Supplier of Electrical and Electronic Components

*Click to view similar products for [Development Boards & Kits - ARM category:](#)*

*Click to view products by [Wandboard manufacturer:](#)*

Other Similar products are found below :

[SAFETI-HSK-RM48](#) [PICOHOBBITFL](#) [CC-ACC-MMK-2443](#) [TWR-MC-FRDMKE02Z](#) [EVALSPEAR320CPU](#) [EVB-SCMIMX6SX](#)  
[MAX32600-KIT#](#) [TMDX570LS04HDK](#) [TXSD-SV70](#) [OM13080UL](#) [EVAL-ADUC7120QSPZ](#) [OM13082UL](#) [TXSD-SV71](#)  
[YGRPEACHNORMAL](#) [OM13076UL](#) [PICODWARFFL](#) [YR8A77450HA02BG](#) [3580](#) [32F3348DISCOVERY](#) [ATTINY1607](#) [CURIOSITY](#)  
[NANO](#) [PIC16F15376](#) [CURIOSITY NANO BOARD](#) [PIC18F47Q10](#) [CURIOSITY NANO](#) [VISIONSTK-6ULL V.2.0](#) [80-001428](#) [DEV-17717](#)  
[EAK00360](#) [YR0K77210B000BE](#) [RTK7EKA2L1S00001BE](#) [MAX32651-EVKIT#](#) [SLN-VIZN-IOT](#) [LV18F V6 DEVELOPMENT SYSTEM](#)  
[READY FOR AVR BOARD](#) [READY FOR PIC BOARD](#) [READY FOR PIC \(DIP28\)](#) [EVB-VF522R3](#) [AVRPLC16 V6 PLC SYSTEM](#)  
[MIKROLAB FOR AVR XL](#) [MIKROLAB FOR PIC L](#) [MINI-AT BOARD - 5V](#) [MINI-M4 FOR STELLARIS](#) [MOD-09.Z](#) [BUGGY +](#)  
[CLICKER 2 FOR PIC32MX + BLUETOOT](#) [1410](#) [LETS MAKE PROJECT PROGRAM. RELAY PIC](#) [LETS MAKE - VOICE](#)  
[CONTROLLED LIGHTS](#) [LPC-H2294](#) [DSPIC-READY2 BOARD](#) [DSPIC-READY3 BOARD](#) [MIKROBOARD FOR ARM 64-PIN](#)  
[MIKROLAB FOR AVR](#)