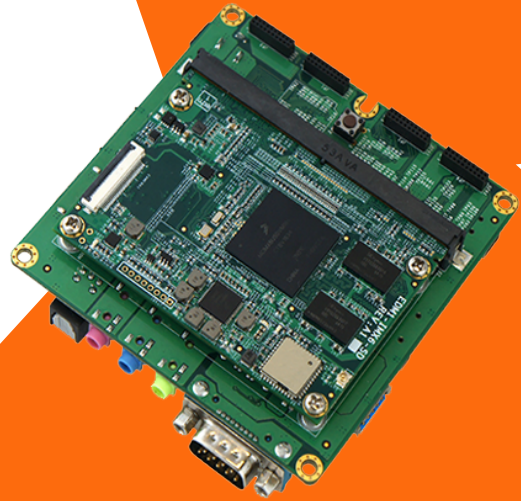




NXP i.MX6 Cortex-A9

low cost open source community development board

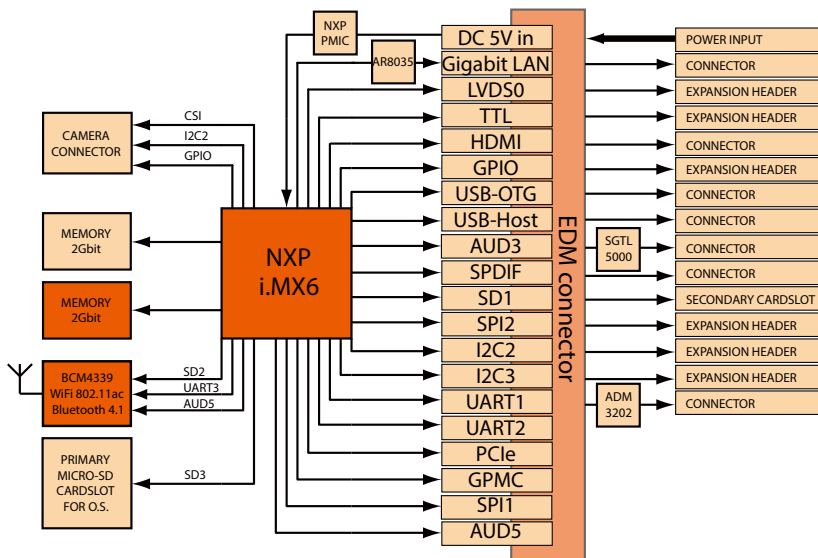


Specifications

	Wandboard Solo	Wandboard Dual	Wandboard Quad	Wandboard Quad Plus
Processor	NXP i.MX6 Solo	NXP i.MX6 DualLite	NXP i.MX6 Quad	NXP i.MX6 QuadPlus
Architecture	ARM Cortex-A9	ARM Cortex-A9	ARM Cortex-A9	ARM Cortex-A9
PMIC	x	NXP MMPF0100	NXP MMPF0100	NXP MMPF0100
Memory	512 MB DDR3	1 GB DDR3	2 GB DDR3	2 GB DDR3
Storage	MicroSD Cardslot	MicroSD Cardslot	MicroSD Cardslot	MicroSD Cardslot
Gigabit LAN	✓	✓	✓	✓
WiFi/Bluetooth	x	✓	✓	✓
Audio	✓	✓	✓	✓
Optical S/PDIF	✓	✓	✓	✓
HDMI	✓	✓	✓	✓
Camera interface	✓	✓	✓	✓
Serial port	✓	✓	✓	✓
Expansion header	✓	✓	✓	✓
USB	✓	✓	✓	✓
USB OTG	✓	✓	✓	✓
SATA connector	x	x	✓	✓

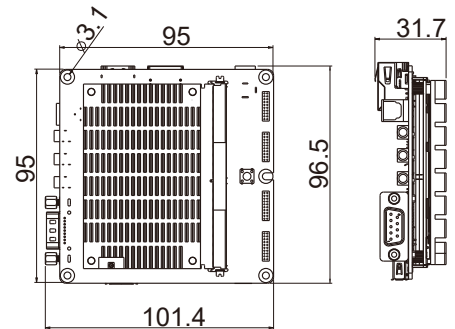
Complete Schematics, Source Code and Documentation can be found on: www.wandboard.org

Block Diagram



■ Depending on configuration

Dimensional Drawing



Order Information

Model Name	Description
WB-IMX6S	Wandboard i.MX6 Solo
WB-IMX6U-BW	Wandboard i.MX6 DualLite
WB-IMX6Q-BW	Wandboard i.MX6 Quad
WB-IMX6QP-BW	Wandboard i.MX6 QuadPlus
WBENCLOSURE	Wandboard enclosure
WBANTENNAKIT	Wandboard antenna kit
CAM-OV5645	Camera module

X-ON Electronics

Largest Supplier of Electrical and Electronic Components

Click to view similar products for [Single Board Computers](#) category:

Click to view products by [Wandboard](#) manufacturer:

Other Similar products are found below :

[MANO882VPGGA-H81](#) [SSD3200W-S-SLC-INN 20-101-0738](#) [MVME61006E-2173R](#) [SHB230DGGA-RC](#) [CM2-BT2-E3825-ETT](#)
[IMB210VGGA](#) [IB915F-3955](#) [MI958F-16C](#) [S2600WFT](#) [S2600STB](#) [BBS2600BPS](#) [BLKNUC7I3DNHNC1978015](#) [DEV-17745](#)
[BEAGLEBOARD POCKET](#) [MICROSOM I2 + WIFI/BT](#) [HUMMINGBOARD-I2EX BASE + WIFI/BT](#) [HUMMINGBOARD-I4 PRO +](#)
[WIFI/BT](#) [VAB-600-B](#) [MITX-440-DVI-2E](#) [ATCA-7365-D-24GB](#) [NITX-315-DEVKIT](#) [A13-SOM-512](#) [NITX-315](#) [BANANA PI BPI-M1+](#)
[A13-SOM-WIFI-4GB](#) [AM3359-SOM-EVB-IND](#) [UPS-APLC2-A10-0432](#) [DFR0419](#) [UPS-APLP4-A10-0864](#) [UPS-APLP4-A10-0432](#) [UPS-](#)
[APLP4-A10-08128](#) [MI977F-Q27](#) [BBBLUE](#) [IB811F-I30](#) [DFR0470-ENT](#) [Nit6Q_i](#) [M2M \(TELIT\)](#) [RELAY](#) [PROFESSIONAL](#)
[GCS22.2.080.2.2.I](#) [GCS22.8.100.4.2.I](#) [GLS11.2.053.2.2.E](#) [A20-OLINUXINO-LIME-E16GS16M](#) [A20-OLINUXINO-LIME-S16M](#) [A20-](#)
[OLINUXINO-LIME2-E16GS16M](#) [A20-OLINUXINO-MICRO-S16M](#) [BANANA PI BPI-W2](#) [T2-OLINUXINO-LIME2-S16M-IND](#) [T2-](#)
[OLINUXINO-MICRO-E8GS16M-IND](#)