



# WSR4001D1

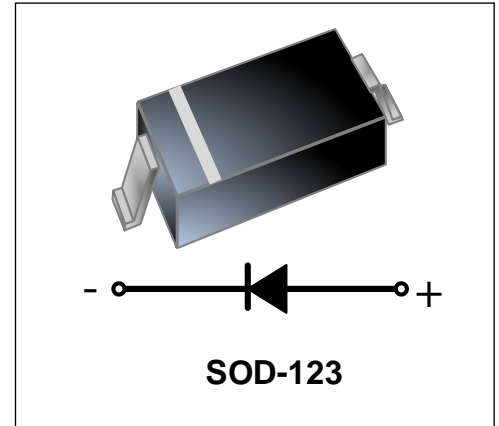
## Schottky Barrier Diode

### Features

- Low Forward Voltage Schottky Rectifier
- RoHS Compliant / Green EMC
- Matte Tin (Sn) Lead Finish
- Cathode Band / Device Marking

### Applications

- Fast Switching RF and Digital Applications
- Switch Mode Power Supply
- Inverse Polarity Protection
- Low Power Consumption Applications



### Absolute Maximum Rating

Parameter	Symbol	Value	Unit
Non-Repetitive Peak Reverse Voltage	$V_{RM}$	40	V
Repetitive Peak Reverse Voltage	$V_{RRM}$	40	V
RMS Reverse Voltage	$V_{R(RMS)}$	28	V
Average Rectified Output Current	$I_O$	1	A
Non-Repetitive Peak Forward Surge Current @ $t=8.3ms$	$I_{FSM}$	9	A
Repetitive Peak Forward Current	$I_{FRM}$	1.5	A
Power Dissipation	$P_D$	500	mW
Junction Temperature	$T_j$	125	°C
Storage Temperature	$T_{stg}$	-65~+150	°C

### Electrical Characteristics ( $T_{amb}=25^{\circ}C$ unless otherwise noted)

Parameter	Symbol	Test Conditions	Min.	Typ.	Max.	Unit
Reverse Breakdown Voltage	$V_{BR}$	$I_R = 1mA$	40	-	-	V
Reverse Voltage Leakage Current	$I_R$	$V_R = 40V$	-	-	1	mA
Forward Voltage	$V_{F1}$	$I_F = 1A$	-	-	0.6	V
	$V_{F2}$	$I_F = 3A$	-	-	0.9	V
Diode Capacitance	$C_D$	$V_R = 4V, f = 1MHz$	-	-	120	pF

Typical Characteristics

Figure 1. Forward Characteristics

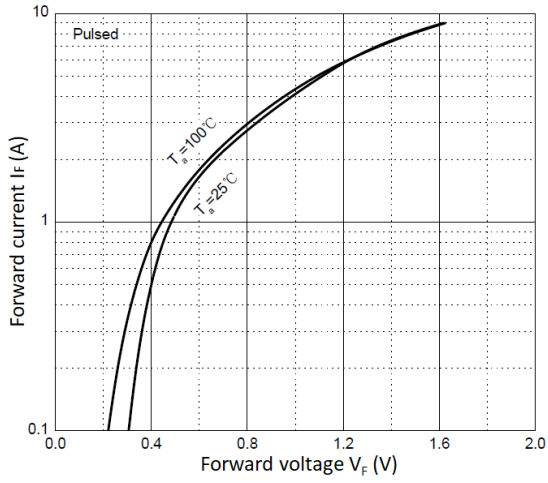


Figure 2. Reverse Characteristics

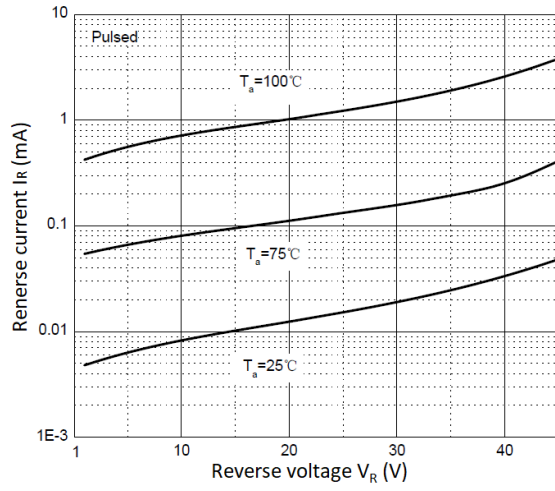


Figure 3. Capacitance Characteristics

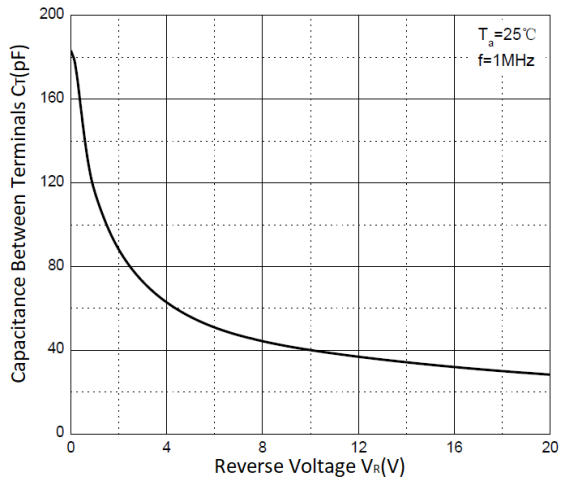
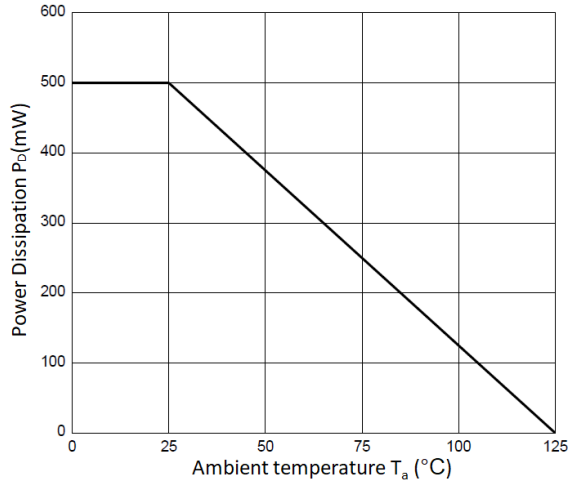


Figure 4. Power Derating Curve



Outline Drawing –SOD-123

### PACKAGE OUTLINE

**SOD-123**

SYMBOL	MILLIMETER		INCHES	
	MIN	MAX	MIN	MAX
A	1.050	1.250	0.041	0.049
A1	0.000	0.100	0.000	0.004
A2	1.050	1.150	0.041	0.045
b	0.450	0.650	0.018	0.026
c	0.080	0.150	0.003	0.006
D	1.500	1.700	0.059	0.067
E	2.600	2.800	0.102	0.110
E1	3.550	3.850	0.140	0.152
L	0.500 REF		0.020 REF	
L1	0.250	0.450	0.010	0.018
θ	0°	8°	0°	8°

DIMENSIONS: MILLIMETERS

**Notes**

- Controlling Dimensions in Millimeters.
- Dimensions are exclusive of mold flash and metal burrs.

Marking Codes

Part Number	WSR4001D1
Marking Code	

Package Information

Qty: 3k/Reel

CONTACT INFORMATION

No.1001, Shiwan (7) Road, Pudong District, Shanghai, P.R.China.201207

Tel: 86-21-68969993 Fax: 86-21-50757680 Email: [market@way-on.com](mailto:market@way-on.com)

WAYON website: <http://www.way-on.com>

For additional information, please contact your local Sales Representative.

**WAYON** ® is registered trademark of Wayon Corporation.

Specifications are subject to change without notice.  
The device characteristics and parameters in this data sheet can and do vary in different applications and actual device performance may vary over time.  
Users should verify actual device performance in their specific applications.

## X-ON Electronics

Largest Supplier of Electrical and Electronic Components

*Click to view similar products for [Schottky Diodes & Rectifiers](#) category:*

*Click to view products by [Wayon](#) manufacturer:*

Other Similar products are found below :

[MA4E2039](#) [MA4E2508M-1112](#) [MBR10100CT-BP](#) [MBR1545CT](#) [MMBD301M3T5G](#) [GS1JE-TP](#) [RB160M-50TR](#) [BAS16E6433HTMA1](#)  
[BAS 3010S-02LRH E6327](#) [BAT 54-02LRH E6327](#) [NSR05F40QNXT5G](#) [NSVR05F40NXT5G](#) [NTE555](#) [JANS1N6640](#) [SB07-03C-TB-H](#)  
[SK310-T](#) [SK33A-TP](#) [SK34B-TP](#) [SS3003CH-TL-E](#) [PDS3100Q-7](#) [GA01SHT18](#) [CRS10I30A\(TE85L,QM](#) [MA4E2501L-1290](#)  
[MBRB30H30CT-1G](#) [DMJ3940-000](#) [SB007-03C-TB-E](#) [SK32A-TP](#) [SK33B-TP](#) [SK35A-TP](#) [SK38B-LTP](#) [SK38B-TP](#) [NRVBM120LT1G](#)  
[NTE505](#) [NTSB30U100CT-1G](#) [VS-6CWQ10FNHM3](#) [CRG04\(T5L,TEMQ\)](#) [ACDBA1100LR-HF](#) [ACDBA1200-HF](#) [ACDBA2100-HF](#)  
[ACDBA240-HF](#) [ACDBA3100-HF](#) [CDBQC0530L-HF](#) [ACDBA260LR-HF](#) [ACDBA1100-HF](#) [MA4E2502L-1246](#) [10BQ060-M3/5BT](#)  
[NRVB130LSFT1G](#) [CRS08TE85LQM](#) [PMAD1108-LF](#) [B120Q-13-F](#)