



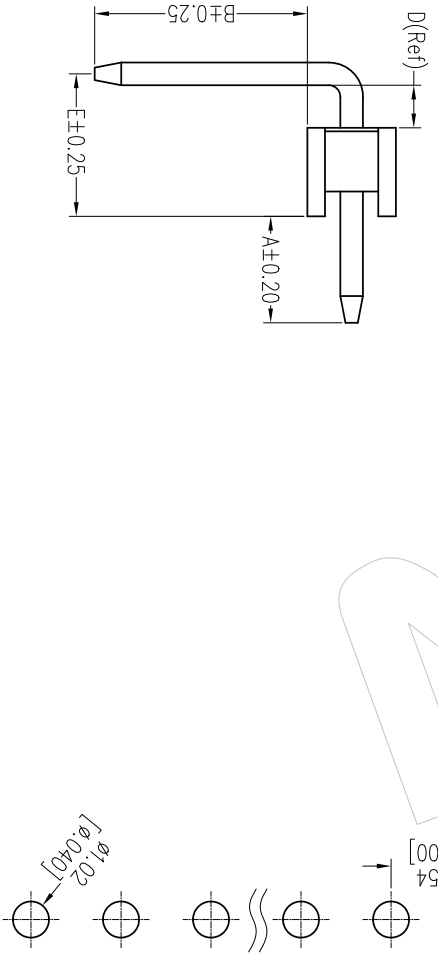
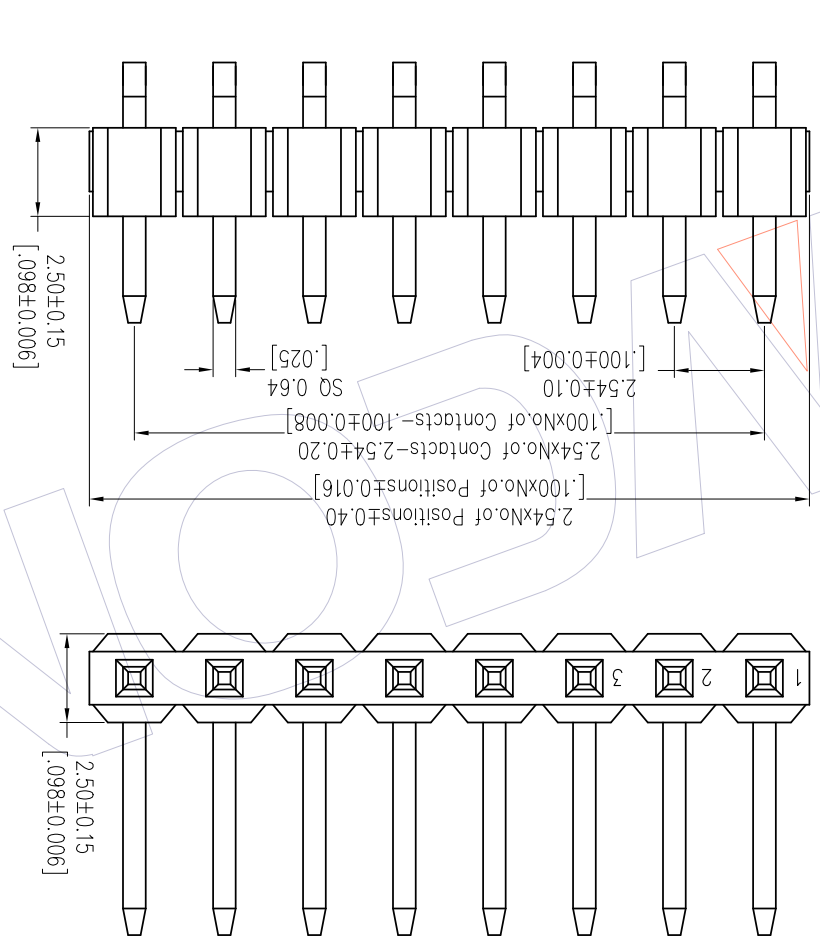
NOTES:  
 Rated Current: 3.0AMP.  
 Contact Resistance: 20mΩ Max.  
 Withstand Voltage: 1000V AC/DC  
 Insulation Resistance: 1000MΩ Min.  
 Operation Temperature: -40℃ to +105℃  
 Contact Material: Brass  
 Contact Plating: Au or Sn Over Ni  
 Insulator Material: PA9T+33%GF UL94V-0 BK

### Ordering Information

1125-11 XX XX R XXX C 0 XX A1 A2

No. of Pins Contact Plating Pin Length Insulator Packing Series No.  
 02-40 G0=Gold Flash L=A+B+D+3.75 Material 0=PB Bag 01-99  
 G3=10u"Gold Standard: 110=11.0 C=PA9T T=Tube  
 G4=15u"Gold 140=14.0  
 G5=30u"Gold 148=14.8  
 S0=Gold Flash/Tin  
 S3=10u"Gold/Tin  
 S4=15u"Gold/Tin  
 S5=30u"Gold/Tin  
 SN=Tin  
 SM=Mate Tin

Item	Pin Length	A	E	B	Mating
Standard	14.00	3.00	4.02	6.00	2171 2185
Alternate	14.80	3.00	4.82	6.00	2171 2185



Recommended P.C.B Layout (Top Side)  
 (PCB BOARD TOLERANCE±0.05)

REV	DATE	MODIFICATION DESCRIPTION	CHANGE	DIM TOL	OPERATION	DRAW	DATE	SCALE	PART NO.
A0	2012/05/17	NEW	-----	Angle ± .3°		Surong Xu	2018/06/02	FIT	1125-11XXXXXXC0XX
A1	2018/01/22	Modify P/N	A1	X.XXX ±0.15	CHECK			mm	
A2	2018/06/02	Cancel PBT & Modify P/N	A2	X.X ±0.40	APPROVE				

DATE	APPROVE	DATE	APPROVE
2018/06/02	Surong Xu	2018/06/02	Surong Xu

DATE	DATE	DATE
2018/06/02	2018/06/02	2018/06/02

SCALE	UNIT	SIZE	SHEET	PROJ.	CUSTOMER NO.
FIT	mm	A4	1/1	PH2.54 SINGLE ROW 90° PLANE BENDING H=2.5	

WCON-Dongguan	WCON-Kunshan
E-mail: sdies@wcon.com	E-mail: sdiesks@wcon.com
Fax: +86 769 85358915	Fax: +86 512 57468468
Tel: +86 769 85358920	Tel: +86 512 57468408

WCON  
 Http: www.wcon.com

## X-ON Electronics

Largest Supplier of Electrical and Electronic Components

*Click to view similar products for [Headers & Wire Housings](#) category:*

*Click to view products by [Wcon](#) manufacturer:*

Other Similar products are found below :

[95000-104TRLF](#) [10135584-644402LF](#) [DF62W-EP2022PCA](#) [95000-106TRLF](#) [DF62W-2022SCA](#) [DF62W-EP2022PC](#) [2203348](#) [DF62W-2022SC](#) [1084018](#) [1029039](#) [1084017](#) [802-10-012-10-002000](#) [1112640](#) [1112639](#) [891-007-9SS-BST1T](#) [000-34000](#) [0008550134](#) [0009482033](#) [0009507031](#) [57102-F02-18ULF](#) [57102-S06-03LF](#) [57202-S52-04LF](#) [PCN6-15S-2.5E](#) [0039019024](#) [58102-G61-06LF](#) [582553-1](#) [0009485154](#) [0009508121](#) [0022285053](#) [0050291907](#) [018731A](#) [LY20-4P-DT1-P1E-BR](#) [02.125.8002.8](#) [60101931](#) [60598-1 \(Cut Strip\)](#) [M1625-3R/100](#) [61062-3](#) [61082-181009](#) [CSU011177004](#) [636-1427](#) [638009-1](#) [641938-9](#) [641991-4](#) [644168-1](#) [644827-2](#) [647662-1](#) [65039-019ELF](#) [65692-001LF](#) [65781-018](#) [65781-047](#)