



NOTES:

Rated Current: 2.0AMP.
 Contact Resistance: 20mΩ Max.
 Withstand Voltage: 500V AC/DC
 Insulation Resistance: 1000MΩ Min.
 Operation Temperature: -40℃ to +125℃(COLD)
 -40℃ to +105℃(TIN)

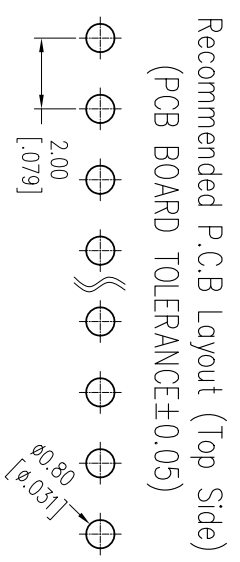
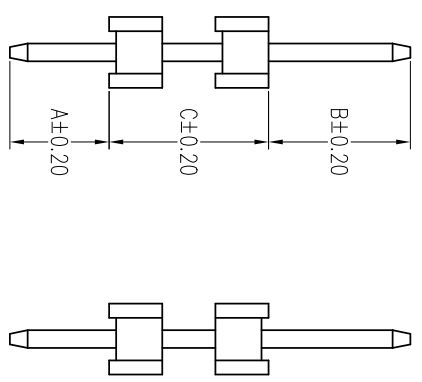
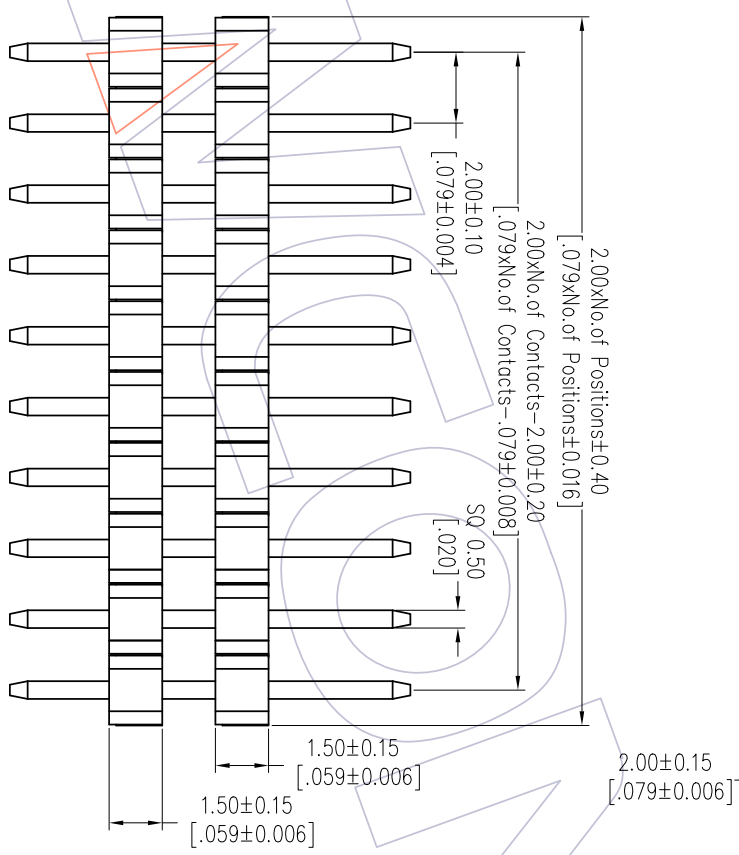
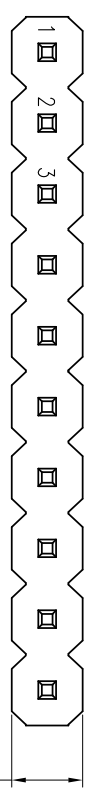
Contact Material: Brass
 Contact Plating: Au or Sn Over Ni
 Insulator Material: PA9T+33%G.F UL94V-0 BK

Ordering Information

1215-21 XX XX S XXX C 0 XX

No. of Pins Contact Plating Pin Length Insulator Packing Series No.
 02~40 G0=Gold Flash L=A+B+C Material 0=PE Bag 01~99
 G3=10u"Gold Standard: C=PA9T 1=Tube
 G4=15u"Gold
 G5=30u"Gold
 S0=Gold Flash/Tin
 S3=10u"Gold/Tin
 S4=15u"Gold/Tin
 S5=30u"Gold/Tin
 SN=Tin
 SM=Mate Tin

Item	Pin Length	A	B	C	Mating
Standard	---	2.80	2.00	---	2220T 2221 2227T 2228
	---	2.80	3.00	---	2235
	---	2.80	4.00	---	2240 2243 2263 2272
	13.00	3.00	7.00		
	17.00	3.80	9.80		



REV	DATE	MODIFICATION DESCRIPTION
A3	2020/06/12	Modify Pin 02~40P
A2	2019/03/04	Modify
A1	2018/01/18	Modify P/N
A0	2012/04/18	NEW

OPERATION	DRAW	DATE	SCALE	PART NO.
OPERATION	DRAW	DATE	SCALE	PART NO.
XX	XX	2020/06/12	Fit	1215-21XXXXXXC0XX
XX	XX		mm	
XX	XX		UNIT	
XX	XX		mm	
XX	XX		UNIT	
XX	XX		mm	
XX	XX		UNIT	
XX	XX		mm	

W/CON

Http: www.wcon.com

WCN-Dongguan Tel: +86 769 85358920 Fax: +86 769 85358915 E-mail: sales@wcon.com

WCN-Kunshan Tel: +86 512 57468408 Fax: +86 512 57468468 E-mail: sales@wcon.com

X-ON Electronics

Largest Supplier of Electrical and Electronic Components

Click to view similar products for [Headers & Wire Housings](#) category:

Click to view products by [Wcon](#) manufacturer:

Other Similar products are found below :

[95000-104TRLF](#) [10135584-644402LF](#) [DF62W-EP2022PCA](#) [95000-106TRLF](#) [DF62W-2022SCA](#) [DF62W-EP2022PC](#) [2203348](#) [DF62W-2022SC](#) [1084018](#) [1029039](#) [1084017](#) [802-10-012-10-002000](#) [1112640](#) [1112639](#) [891-007-9SS-BST1T](#) [000-34000](#) [0008550134](#) [0009482033](#) [0009507031](#) [57102-F02-18ULF](#) [57102-S06-03LF](#) [57202-S52-04LF](#) [PCN6-15S-2.5E](#) [0039019024](#) [58102-G61-06LF](#) [582553-1](#) [0009485154](#) [0009508121](#) [0022285053](#) [0050291907](#) [018731A](#) [LY20-4P-DT1-P1E-BR](#) [02.125.8002.8](#) [60101931](#) [60598-1 \(Cut Strip\)](#) [M1625-3R/100](#) [61062-3](#) [61082-181009](#) [CSU011177004](#) [636-1427](#) [638009-1](#) [641938-9](#) [641991-4](#) [644168-1](#) [644827-2](#) [647662-1](#) [65039-019ELF](#) [65692-001LF](#) [65781-018](#) [65781-047](#)