


HSP

NOTES:

Rated Current:2.0AMP.
 Contact Resistance:20mΩ Max.
 Withstand Voltage:500V AC/DC
 Insulation Resistance:1000MΩ Min.
 Operation Temperature:-40℃ to +105℃

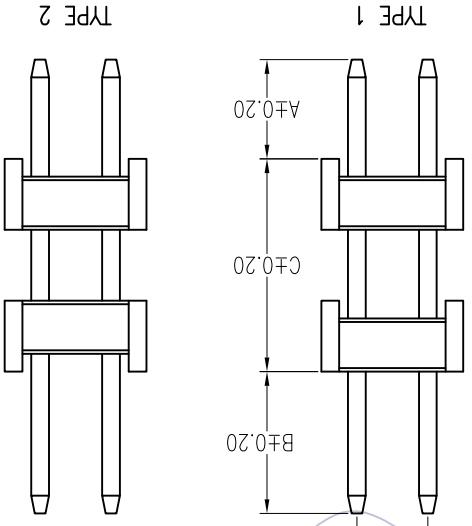
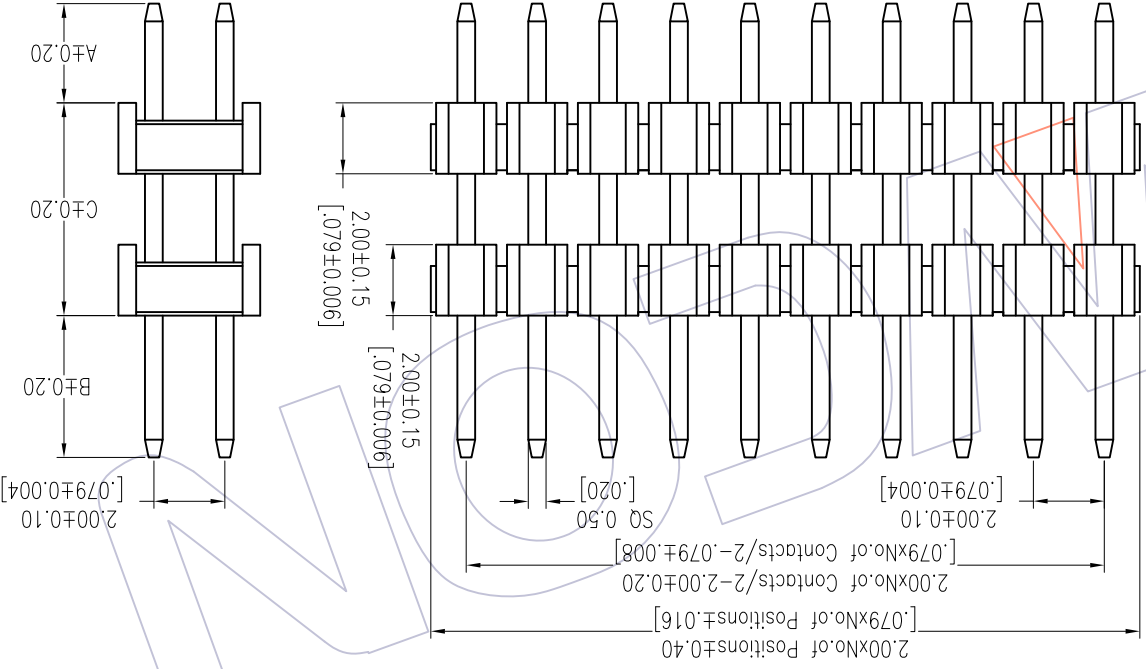
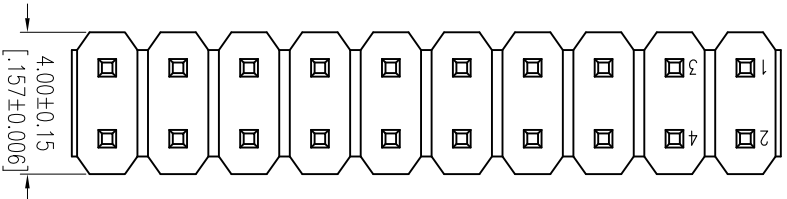
Contact Material:Brass
 Contact Plating:Au or Sn Over Ni
 Insulator Material:PA9T+33%GF UL94V-0 BK

Ordering Information
 1220-22 XX XX S XXX C 0 XX 

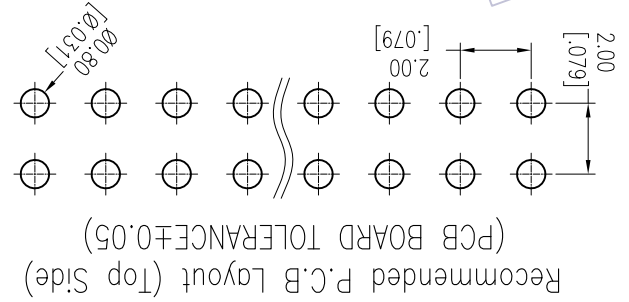
No. of Pins
 Contact Plating
 Pin Length
 Insulator
 Packing
 Series No.

Per Row:02-40 G0=Gold Flash L=A+B+C Material =0PE Bag 01-99
 G3=10u"Gold Standard: C=PA9T T=Tube
 G4=15u"Gold
 G5=30u"Gold
 S0=Gold Flash/Tin
 S3=10u"Gold/Tin
 S4=15u"Gold/Tin
 S5=30u"Gold/Tin
 SN=Tin
 SM=Matte Tin

Item	Pin Length	A	B	C	Alternate
Standard	---	2.80	4.00	---	2240 2243 2263 2272
Mating	---	2.80	---	---	



REV	DATE	MODIFICATION DESCRIPTION	CHANGE	DIM TOL	OPERATION	DRAW	DATE	SCALE	FIT	PART NO.	TITLE:	Customer NO.
A0	2012/04/26	NEW	---	Angle ±.3°	APPROVE	DATE	DATE	SHEET	PROJ. 	PH2.00 DUAL ROW DOUBLE PLASTIC 180° H=2.0	Customer NO.	
A1	2018/01/19	Modify P/N		X.XXX ±0.15	CHECK	DATE	DATE	SIZE	1/1	1220-22XXXXXXXC0XX 	PH2.00 DUAL ROW DOUBLE PLASTIC 180° H=2.0	
				X.X ±0.40	DRAW	DATE	DATE	UNIT	mm	2018.01.19	PH2.00 DUAL ROW DOUBLE PLASTIC 180° H=2.0	
				X.X ±0.25	CHECK	DATE	DATE	SIZE	A4	2018.01.19	PH2.00 DUAL ROW DOUBLE PLASTIC 180° H=2.0	
				X.XXX ±0.15	APPROVE	DATE	DATE	SHEET	1/1	2018.01.19	PH2.00 DUAL ROW DOUBLE PLASTIC 180° H=2.0	
				Angle ±.3°	APPROVE	DATE	DATE	SIZE	1/1	2018.01.19	PH2.00 DUAL ROW DOUBLE PLASTIC 180° H=2.0	
				DIM TOL	OPERATION	DRAW	DATE	SCALE	FIT	PART NO.	TITLE:	Customer NO.



WCON-Dongguan
 WCON-Kunshan
 Tel: +86 769 85358920
 Tel: +86 512 57468408
 Fax: +86 769 85358915
 Fax: +86 512 57468468
 E-mail: sdies@wcon.com
 E-mail: sdiesks@wcon.com
 Http: www.wcon.com

WCON

X-ON Electronics

Largest Supplier of Electrical and Electronic Components

Click to view similar products for [Headers & Wire Housings](#) category:

Click to view products by [Wcon](#) manufacturer:

Other Similar products are found below :

[95000-104TRLF](#) [10135584-644402LF](#) [DF62W-EP2022PCA](#) [95000-106TRLF](#) [DF62W-2022SCA](#) [DF62W-EP2022PC](#) [2203348](#) [DF62W-2022SC](#) [1084018](#) [1029039](#) [1084017](#) [802-10-012-10-002000](#) [1112640](#) [1112639](#) [891-007-9SS-BST1T](#) [000-34000](#) [0008550134](#) [0009482033](#) [0009507031](#) [57102-F02-18ULF](#) [57102-S06-03LF](#) [57202-S52-04LF](#) [PCN6-15S-2.5E](#) [0039019024](#) [58102-G61-06LF](#) [582553-1](#) [0009485154](#) [0009508121](#) [0022285053](#) [0050291907](#) [018731A](#) [LY20-4P-DT1-P1E-BR](#) [02.125.8002.8](#) [60101931](#) [60598-1 \(Cut Strip\)](#) [M1625-3R/100](#) [61062-3](#) [61082-181009](#) [CSU011177004](#) [636-1427](#) [638009-1](#) [641938-9](#) [641991-4](#) [644168-1](#) [644827-2](#) [647662-1](#) [65039-019ELF](#) [65692-001LF](#) [65781-018](#) [65781-047](#)