



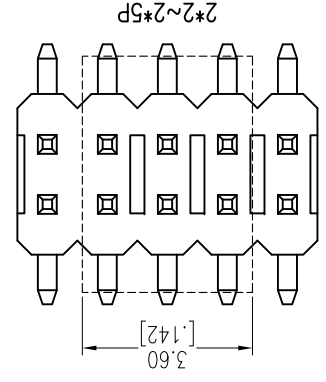
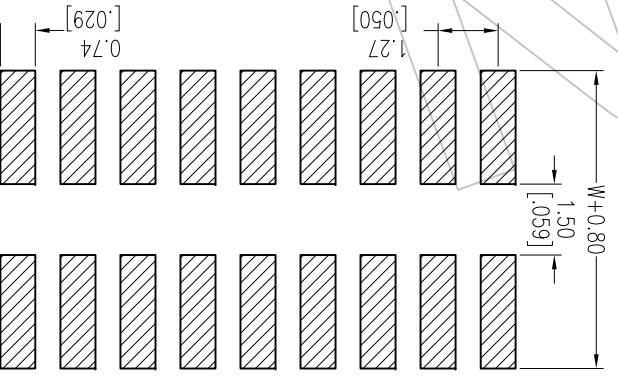
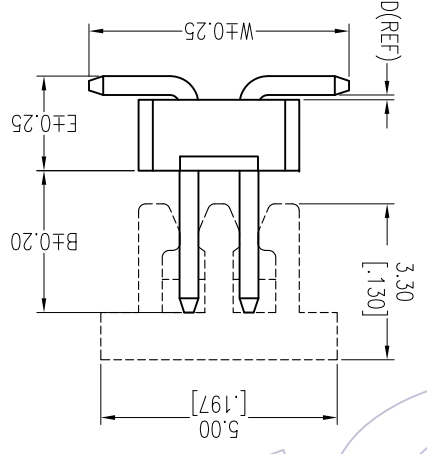
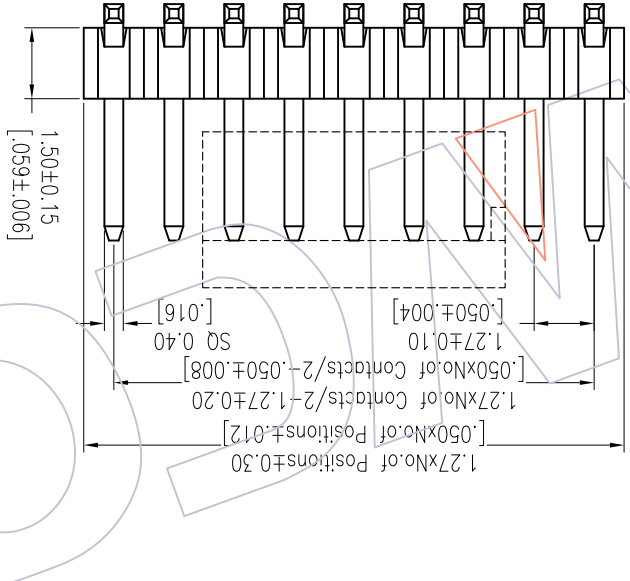
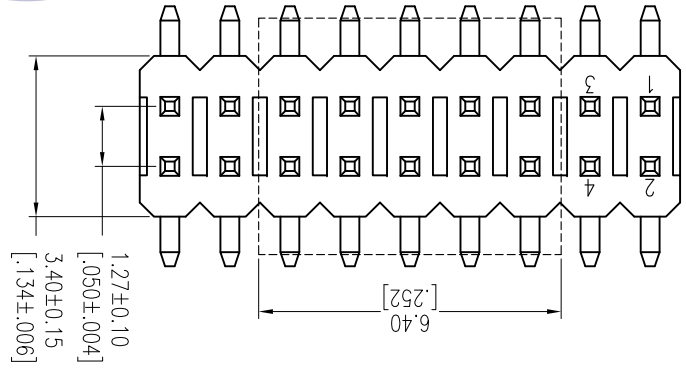
NOTES:
 Rated Current:1.0AMP.
 Contact Resistance:20mΩ Max.
 Withstand Voltage:500V AC/DC
 Insulation Resistance:1000MΩ Min.
 Operation Temperature:-40°C to +105°C
 Contact Material:Brass
 Contact Plating:Au or Sn Over Ni
 Insulator Material:PA9T+33%G.F UL94V-0 BK

Ordering Information

1315-12 XX XX M XXX C R XX

No. of Pins Contact Plating Pin Length Insulator Series No. Packaging
 Per Row:02-50 G0=Gold Flash L=B+D+1.5+W_{1/2} C=PA9T 01-99
 G3=10u"Gold Standard:05=5.6 07=6.7 07=7.7
 G4=15u"Gold
 G5=30u"Gold
 S0=Gold Flash/Tin
 S3=10u"Gold/Tin
 S4=15u"Gold/Tin
 S5=30u"Gold/Tin
 R=Tube+CAP
 P=Tube+CAP
 SM=Matte Tin
 SN=Tin

Item	Pin Length	W	E	B	Mating
5.6	5.50	2.00	1.90	2.321	
6.7	5.50	2.00	3.00	2.334	
7.7	5.50	2.00	4.00	2.344	



Recommended P.C.B Layout (Top Side)
 (PCB BOARD TOLERANCE±0.05)

REV	DATE	MODIFICATION DESCRIPTION	CHANGE	DIM	TOL	OPERATION	DRAW	DATE	SCALE	FIT	UNIT	TITLE	PART NO.
A2	2018/01/15	MODIFY PART NO.	-----	X.X	±0.40	William Chen	2018/01/15	DATE	SCALE	FIT	mm	1315-12XXXXMXXXXXXX	1315-12XXXXMXXXXXXX
A1	2015/01/03	Modify Drawing	-----	X.XX	±0.25	William Chen	2018/01/15	DATE	SCALE	FIT	mm	1.27 Pin Header, DUAL ROW, SMT, H=1.5	1315-12XXXXMXXXXXXX
A0	2012/03/15	NEW	-----	X.XXX	±0.15	William Chen	2018/01/15	DATE	SCALE	FIT	mm	1.27 Pin Header, DUAL ROW, SMT, H=1.5	1315-12XXXXMXXXXXXX

PROJ. WCON-Dongguan
 WCON-Kunshan
 Tel: +86 769 85358920
 Fax: +86 769 85358915
 E-mail: sdies@wcon.com

Customer NO.
 WCON-Dongguan
 WCON-Kunshan
 Tel: +86 769 85358920
 Fax: +86 769 85358915
 E-mail: sdies@wcon.com

WCON
 Http: www.wcon.com

X-ON Electronics

Largest Supplier of Electrical and Electronic Components

Click to view similar products for [Headers & Wire Housings](#) category:

Click to view products by [Wcon](#) manufacturer:

Other Similar products are found below :

[95000-104TRLF](#) [10135584-644402LF](#) [DF62W-EP2022PCA](#) [95000-106TRLF](#) [DF62W-2022SCA](#) [DF62W-EP2022PC](#) [2203348](#) [DF62W-2022SC](#) [1084018](#) [1029039](#) [1084017](#) [802-10-012-10-002000](#) [1112640](#) [1112639](#) [891-007-9SS-BST1T](#) [000-34000](#) [0008550134](#) [0009482033](#) [0009507031](#) [57102-F02-18ULF](#) [57102-S06-03LF](#) [57202-S52-04LF](#) [PCN6-15S-2.5E](#) [0039019024](#) [58102-G61-06LF](#) [582553-1](#) [0009485154](#) [0009508121](#) [0022285053](#) [0050291907](#) [018731A](#) [LY20-4P-DT1-P1E-BR](#) [02.125.8002.8](#) [60101931](#) [60598-1 \(Cut Strip\)](#) [M1625-3R/100](#) [61062-3](#) [61082-181009](#) [CSU011177004](#) [636-1427](#) [638009-1](#) [641938-9](#) [641991-4](#) [644168-1](#) [644827-2](#) [647662-1](#) [65039-019ELF](#) [65692-001LF](#) [65781-018](#) [65781-047](#)