

**HSP**

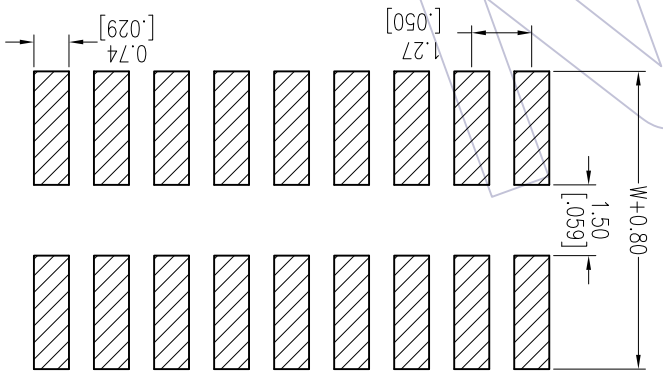
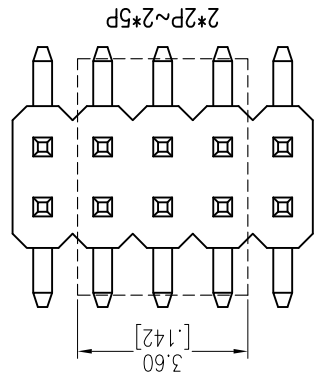
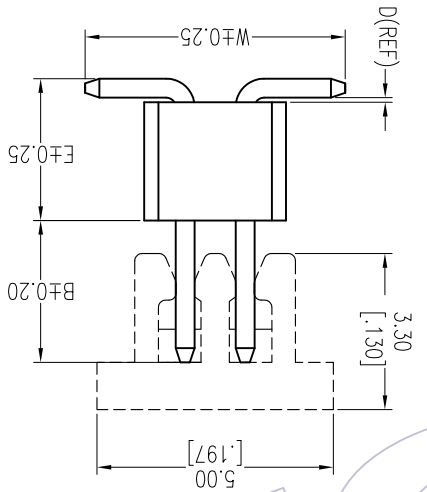
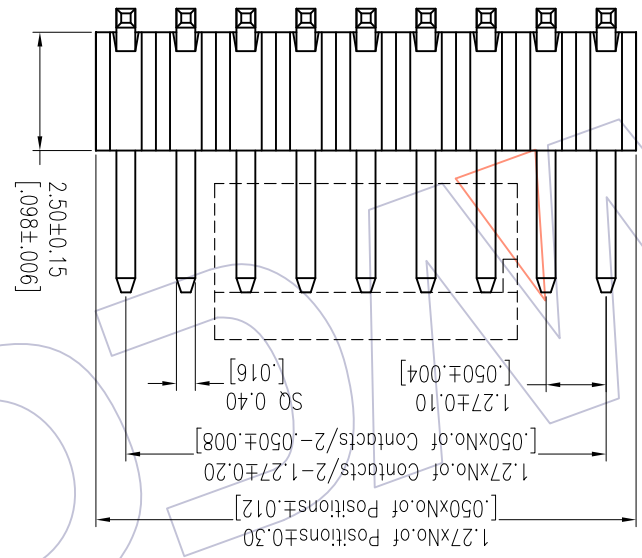
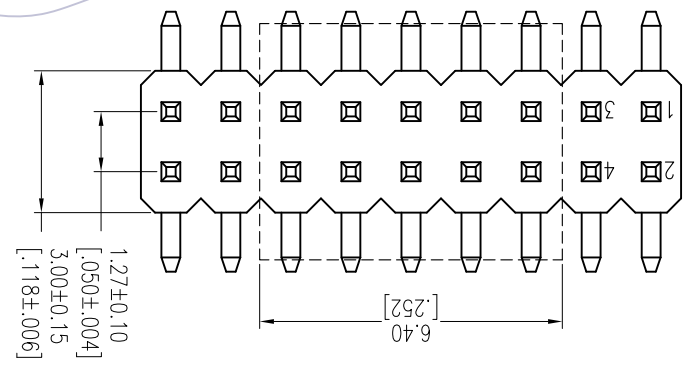
NOTES:  
 Rated Current:1.0AMP.  
 Contact Resistance:20mΩ Max.  
 Withstand Voltage:500V AC/DC  
 Insulation Resistance:1000MΩ Min.  
 Operation Temperature:-40°C to +105°C  
 Contact Material:Brass  
 Contact Plating:Au or Sn Over Ni  
 Insulator Material:PA9T+33%GF UL94V-0 BK

**Ordering Information**  
 1325-12 XX XX M XXX C R XX

No. of Pins Contact Plating Pin Length Insulator Series No.  
 Per Row:02-50 G0=Gold Flash 1=B+D+2.5+ $\frac{W}{2}$  C=PA9T 01-99

- Packing 087=8.7
- A=Tray
- G3=10u"Gold Standard:06=6.6
- G4=15u"Gold 07=7.7
- G5=30u"Gold
- S0=Gold Flash/Tin
- S3=10u"Gold/Tin
- S4=15u"Gold/Tin
- S5=30u"Gold/Tin
- SN=Tin
- SM=Matte Tin
- R=Tape&Reel+CAP
- P=Tube+CAP
- T=Tube

Item	Pin Length	W	E	B	Mating
6.6	5.50	3.00	1.90	2.321	
7.7	5.50	3.00	3.00	2.334	
8.7	5.50	3.00	4.00	2.344	



Recommended P.C.B Layout (Top Side)  
 (PCB BOARD TOLERANCE±0.05)

REV	DATE	MODIFICATION DESCRIPTION	CHANGE	DIM	TOL	OPERATION	DRAW	DATE	SCALE	FIT	UNIT	TITLE	PART NO.
A0	2012/03/31	NEW	---	Angle	±.3	APPROVE	DATE	DATE	SHEET	1/1	PROJ.	Customer No.	
A1	2018/01/18	MODIFY PART NO.	---	X.XXX	±0.15	CHECK	DATE	DATE	SIZE	A4	PROJ.	Customer No.	
				X.XX	±0.25	William Chen	2018/01/18	2018/01/18	UNIT	mm	1325-12XXXXMXXXXXXX	1.27 Pin Header, DUAL ROW, SMT, WITHOUT POST, H=2.5	
				X.X	±0.40	William Chen	2018/01/18	2018/01/18	SCALE		1325-12XXXXMXXXXXXX	1.27 Pin Header, DUAL ROW, SMT, WITHOUT POST, H=2.5	

**WCON**  
 Http://www.wcon.com  
 WCON-Dongguan  
 WCON-Kunshan  
 Tel: +86 769 85358920  
 Tel: +86 512 57468408  
 Fax: +86 769 85358915  
 Fax: +86 512 57468468  
 E-mail: sdies@wcon.com  
 E-mail: sdiesks@wcon.com

## X-ON Electronics

Largest Supplier of Electrical and Electronic Components

*Click to view similar products for [Headers & Wire Housings](#) category:*

*Click to view products by [Wcon](#) manufacturer:*

Other Similar products are found below :

[95000-104TRLF](#) [10135584-644402LF](#) [DF62W-EP2022PCA](#) [95000-106TRLF](#) [DF62W-2022SCA](#) [DF62W-EP2022PC](#) [2203348](#) [DF62W-2022SC](#) [1084018](#) [1029039](#) [1084017](#) [802-10-012-10-002000](#) [1112640](#) [1112639](#) [891-007-9SS-BST1T](#) [000-34000](#) [0008550134](#) [0009482033](#) [0009507031](#) [57102-F02-18ULF](#) [57102-S06-03LF](#) [57202-S52-04LF](#) [PCN6-15S-2.5E](#) [0039019024](#) [58102-G61-06LF](#) [582553-1](#) [0009485154](#) [0009508121](#) [0022285053](#) [0050291907](#) [018731A](#) [LY20-4P-DT1-P1E-BR](#) [02.125.8002.8](#) [60101931](#) [60598-1 \(Cut Strip\)](#) [M1625-3R/100](#) [61062-3](#) [61082-181009](#) [CSU011177004](#) [636-1427](#) [638009-1](#) [641938-9](#) [641991-4](#) [644168-1](#) [644827-2](#) [647662-1](#) [65039-019ELF](#) [65692-001LF](#) [65781-018](#) [65781-047](#)