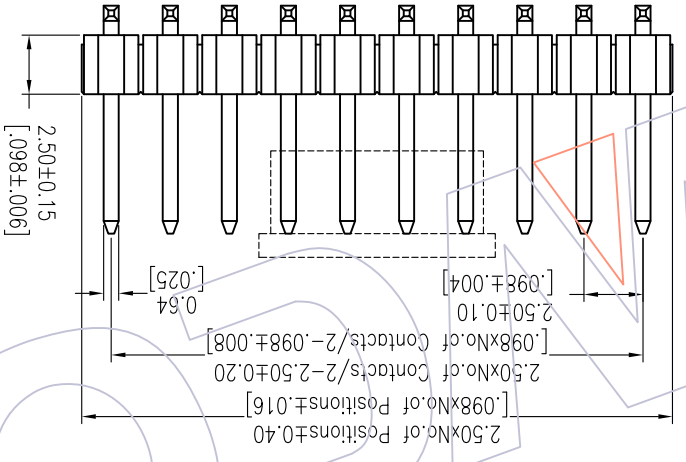
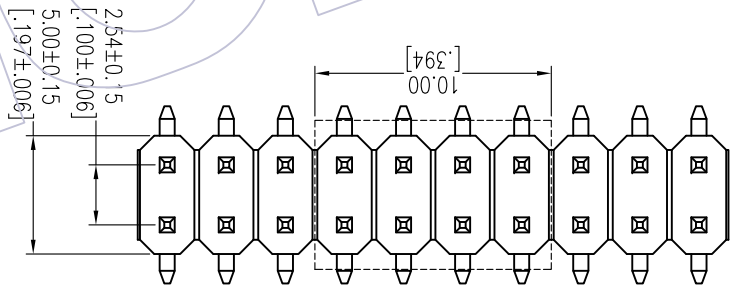
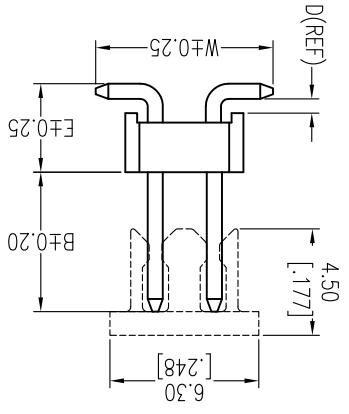
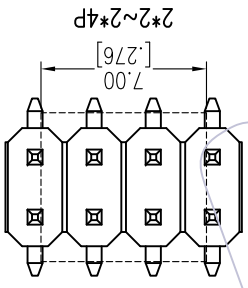
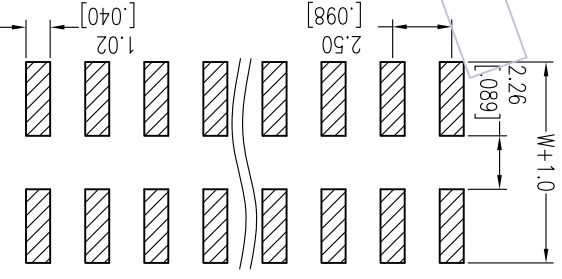


**HSP**

Recommended P.C.B Layout (Top Side)  
(PCB BOARD TOLERANCE±0.05)



**Ordering Information**  
1725A-12 XX XX M XXX C R XX

No. of Pins    Contact Plating    Pin Length    Insulator    Series No.  
Per Row: 02~40    G0=Gold Flash    L=B+D+2.5, W<sup>1/2</sup>±.22    C=P97T    01~99

Packaging    111=11.1    G5=30u"Gold    S0=Gold Flash/Tin    R=Tape&Reel+CAP  
G4=15u"Gold    115=11.5    S3=10u"Gold/Tin    P=Tube+CAP    136=13.6  
S4=15u"Gold/Tin    G3=10u"Gold    S2=30u"Gold/Tin    T=Tube    136=13.6  
S5=30u"Gold/Tin    G4=15u"Gold    S1=15u"Gold/Tin    R=Tape&Reel+CAP    136=13.6  
SN=Tin    G5=30u"Gold    S0=Gold Flash/Tin    R=Tape&Reel+CAP    136=13.6  
SM=Mate Tin

NOTES:  
Rated Current:3.0AMP.  
Contact Resistance:20mΩ Max.  
Withstand Voltage:100V AC/DC  
Insulation Resistance:1000MΩ Min.  
Operation Temperature:-40°C to +105°C  
Contact Material:Brass  
Contact Plating:Au or Sn Over Ni  
Insulator Material:P97A1+33%G.F UL94V-0 BK

Item	Pin Length	W	E	B
Standard	10.2	7.50	3.34	5.00
	11.1	7.50	3.34	5.90
	11.5	7.50	3.74	5.90
Alternate	13.6	7.50	3.74	8.00

REV	DATE	MODIFICATION DESCRIPTION	CHANGE	OPERATION	DRAW	DATE	SCALE	PART NO.	TITLE:		PROJECT	APPROVE	DATE	CHECK	DATE	SIZE	SHEET	CUSTOMER NO.	DATE	REV
									UNIT	mm										
A1	2018/01/18	MODIFY PART NO.	---	X.X	William Chen	2018/01/18	mm	1725A-12XXXXXX	mm	1725A-12XXXXXX	WCON-Kunshan	1/1	2.50*2.54 Pin Header, DUAL ROW, SMT, WITHOUT POST, H=2.5	A4	2018/01/18	2.50*2.54 Pin Header, DUAL ROW, SMT, WITHOUT POST, H=2.5	1/1	Customer No.	2018/01/18	A0
A0	2015/01/23	NEW	---	X.XXX	William Chen	2015/01/23	mm	1725A-12XXXXXX	mm	1725A-12XXXXXX	WCON-Kunshan	1/1	2.50*2.54 Pin Header, DUAL ROW, SMT, WITHOUT POST, H=2.5	A4	2015/01/23	2.50*2.54 Pin Header, DUAL ROW, SMT, WITHOUT POST, H=2.5	1/1	Customer No.	2015/01/23	A0

**WCON**

WCON-Dongguan  
WCON-Kunshan  
Tel: +86 769 85358920  
Tel: +86 512 57468408  
Fax: +86 769 85358915  
Fax: +86 512 57468468  
E-mail: sdies@wcon.com  
E-mail: sdiesks@wcon.com  
Http: www.wcon.com

## X-ON Electronics

Largest Supplier of Electrical and Electronic Components

*Click to view similar products for [Headers & Wire Housings](#) category:*

*Click to view products by [Wcon](#) manufacturer:*

Other Similar products are found below :

[95000-104TRLF](#) [10135584-644402LF](#) [DF62W-EP2022PCA](#) [95000-106TRLF](#) [DF62W-2022SCA](#) [DF62W-EP2022PC](#) [2203348](#) [DF62W-2022SC](#) [1084018](#) [1029039](#) [1084017](#) [802-10-012-10-002000](#) [1112640](#) [1112639](#) [891-007-9SS-BST1T](#) [000-34000](#) [0008550134](#) [0009482033](#) [0009507031](#) [57102-F02-18ULF](#) [57102-S06-03LF](#) [57202-S52-04LF](#) [PCN6-15S-2.5E](#) [0039019024](#) [58102-G61-06LF](#) [582553-1](#) [0009485154](#) [0009508121](#) [0022285053](#) [0050291907](#) [018731A](#) [LY20-4P-DT1-P1E-BR](#) [02.125.8002.8](#) [60101931](#) [60598-1 \(Cut Strip\)](#) [M1625-3R/100](#) [61062-3](#) [61082-181009](#) [CSU011177004](#) [636-1427](#) [638009-1](#) [641938-9](#) [641991-4](#) [644168-1](#) [644827-2](#) [647662-1](#) [65039-019ELF](#) [65692-001LF](#) [65781-018](#) [65781-047](#)