

HSP

NOTES:

Current Rating: 3.0AMP
 Contact Resistance: 20mΩ Max
 Withstand Voltage: 1000V AC/DC
 Insulation Resistance: 1000MΩ Min
 Operation Temperature: -40°C to +105°C

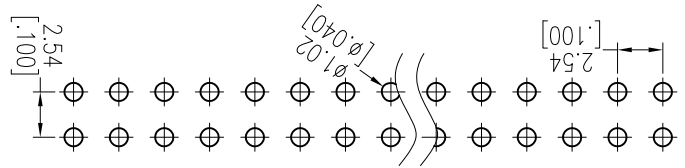
Contact Material: Phosphor Bronze or Brass
 Contact plating: Au Or Sn over Ni
 Insulator Material: PA9T+3%G.F UL94V-0(Std)
 Or PBT+30%G.F UL94V-0

Ordering Information

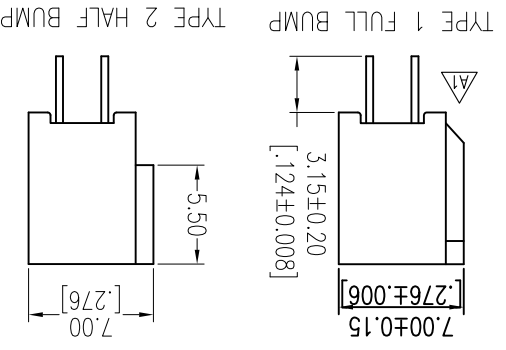
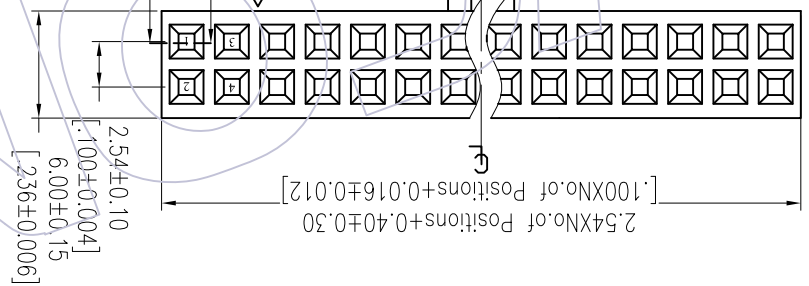
2185-2XXSXXXYNA X

△A2 No. of Pins per Row: 02-27PIN
 △A3 Contact Plating: Insulator: Packing: Series No.
 G0=Gold Flash A=PBT T=Tube 3=TYPE 1
 G3=10µ"Gold C=PA9T A=Tray 4=TYPE 2
 G4=15µ"Gold G5=30µ"Gold
 S0=Gold Flash/Tin S3=10µ"Gold/Tin
 S4=15µ"Gold/Tin S5=30µ"Gold/Tin
 SN=Tin SM=Matte Tin

| Item | Pitch | Mating | Standard | Alternate |
|------|-------|----------------|----------|-----------|
| | | | 2.54 | |
| | | 1115/1120/1125 | | |

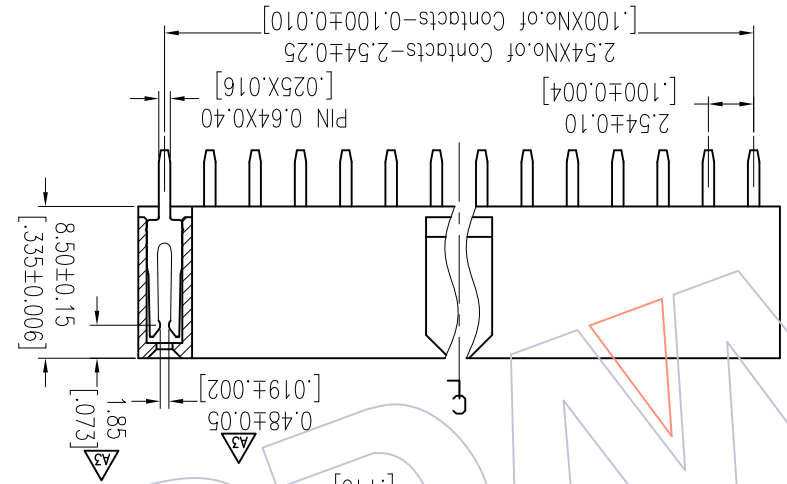


Recommended P.C.B Layout(Top Side)
 (PCB BOARD TOLERANCE±0.05)



| TITLE | PART NO. |
|--------|------------------|
| TYPE 1 | 2185-2XXSXXXYNA3 |
| TYPE 2 | 2185-2XXSXXXYNA4 |

SECTION:A-A



| REV | DATE | MODIFICATION DESCRIPTION | CHANGE | DIM | TOL | APPROVE | DATE | PROJ. | CUSTOMER NO. |
|-----|------------|--------------------------|--------|-------|-------|---------|------------|-------|--------------------------|
| A4 | 2017/07/12 | Modify | △A4 | X.X | ±0.40 | DRAW | 2017/07/12 | SCALE | PART NO. |
| A3 | 2016/08/23 | ADD THE DIM. | △A3 | X.XX | ±0.25 | CHECK | | UNIT | SEE TABLE |
| A2 | 2015/08/27 | Modify | △A2 | X.XXX | ±0.15 | | | SIZE | FH2.54mm DUAL ROW 180DIP |
| A0 | 2012/08/15 | NEW | --- | Angle | ±.3 | APPROVE | | SHEET | H=8.50 WITH BUMPS |

WCON
 Http://www.wcon.com
 WCON-Dongguan
 WCON-Kunshan
 Tel: +86 769 85358920
 Tel: +86 512 57468408
 Fax: +86 769 85358915
 E-mail: sdies@wcon.com
 E-mail: sdiesks@wcon.com

X-ON Electronics

Largest Supplier of Electrical and Electronic Components

Click to view similar products for [Headers & Wire Housings](#) category:

Click to view products by [Wcon](#) manufacturer:

Other Similar products are found below :

[95000-104TRLF](#) [10135584-644402LF](#) [DF62W-EP2022PCA](#) [95000-106TRLF](#) [DF62W-2022SCA](#) [DF62W-EP2022PC](#) [2203348](#) [DF62W-2022SC](#) [1084018](#) [1029039](#) [1084017](#) [802-10-012-10-002000](#) [1112640](#) [1112639](#) [891-007-9SS-BST1T](#) [000-34000](#) [0008550134](#) [0009482033](#) [0009507031](#) [57102-F02-18ULF](#) [57102-S06-03LF](#) [57202-S52-04LF](#) [PCN6-15S-2.5E](#) [0039019024](#) [58102-G61-06LF](#) [582553-1](#) [0009485154](#) [0009508121](#) [0022285053](#) [0050291907](#) [018731A](#) [LY20-4P-DT1-P1E-BR](#) [02.125.8002.8](#) [60101931](#) [60598-1 \(Cut Strip\)](#) [M1625-3R/100](#) [61062-3](#) [61082-181009](#) [CSU011177004](#) [636-1427](#) [638009-1](#) [641938-9](#) [641991-4](#) [644168-1](#) [644827-2](#) [647662-1](#) [65039-019ELF](#) [65692-001LF](#) [65781-018](#) [65781-047](#)