

NOTES:

Current Rating: 2.0AMP  
 Contact Resistance: 20mΩ Max  
 Withstand Voltage: 500V AC/DC  
 Insulation Resistance: 1000MΩ Min  
 Operation Temperature: -40℃ to +125℃(Au)  
 -40℃ to +105℃(Sn)  
 Contact Material: Phosphor Bronze  
 Contact plating: Au over Ni  
 Insulator Material: PA9T+3%GF UL94V-0

## Ordering Information

2220T-2XX M XX CUN X X

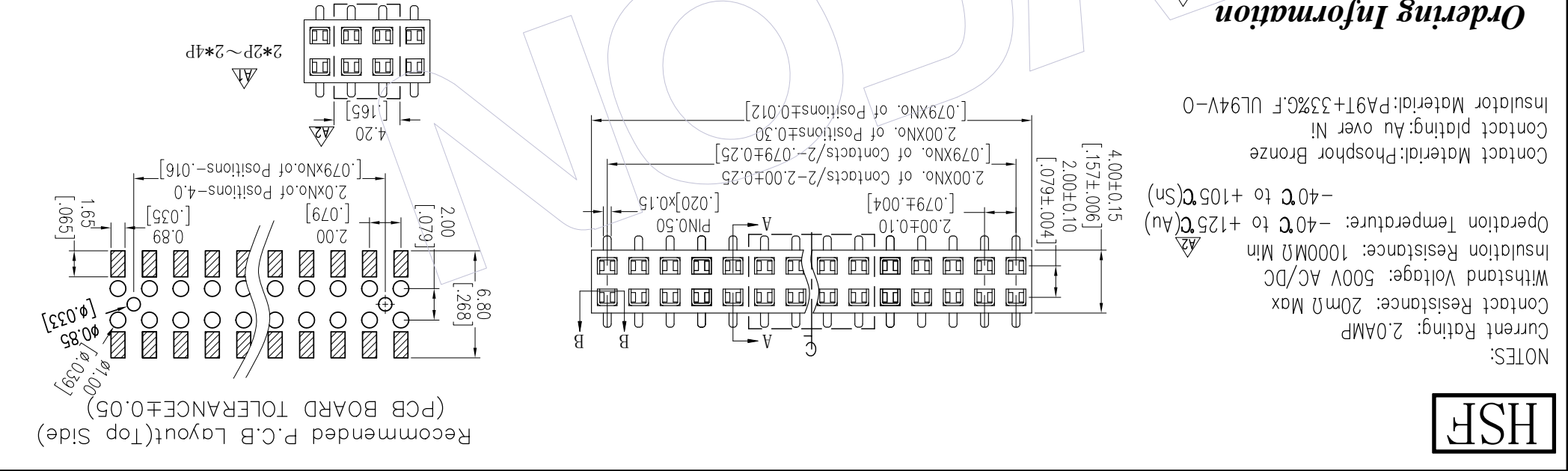
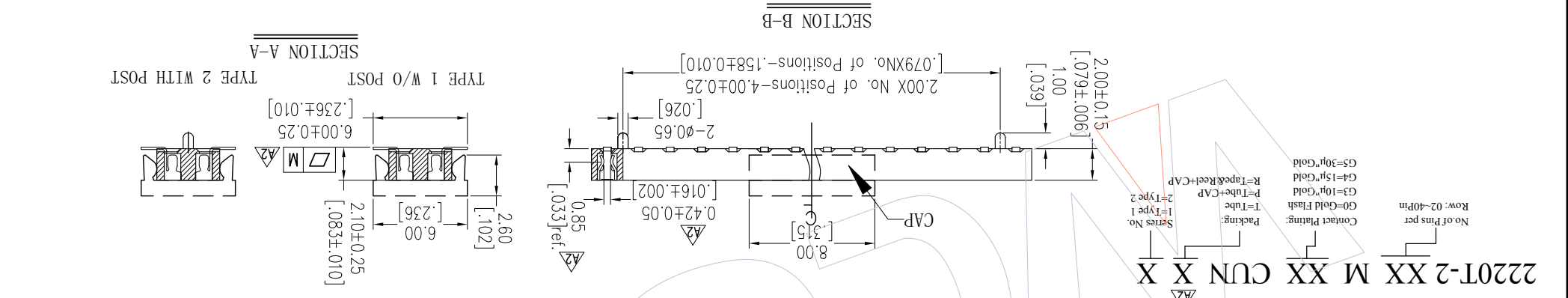
No. of Pins per Row: 02-40Pin

Series No.  
 1=Type 1  
 2=Type 2  
 Packing:  
 G0=Gold Flash  
 G1=10μ Gold  
 G2=Tube+CAP  
 G3=10μ Gold  
 G4=15μ Gold  
 G5=30μ Gold  
 R=Tube+CAP  
 P=Tape+Reel+CAP

Item	Pitch	Alternate
Mating	2.00	
Standard	2.00	1215/1220

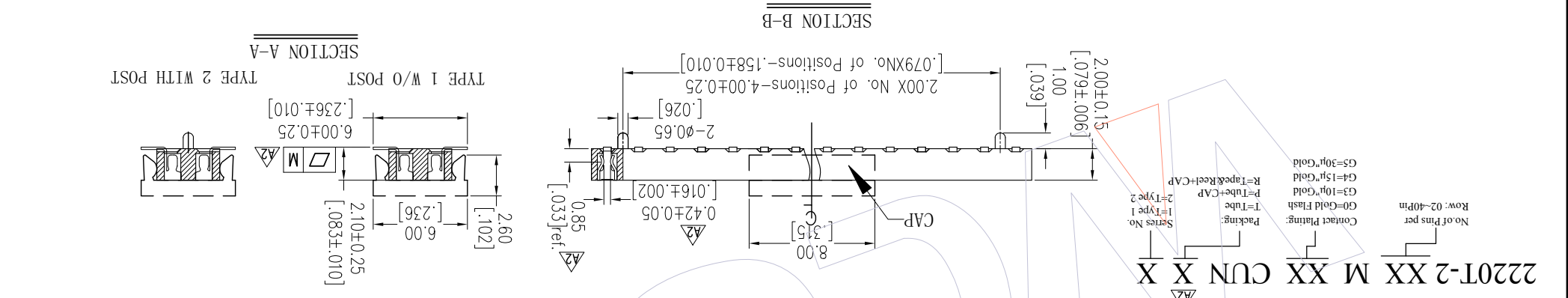
REV	DATE	MODIFICATION DESCRIPTION	OPERATION	DATE	DRAW	SCALE	FIT	PART NO.	SEE TABLE
A2	2019/01/16	Modify drawing&CAP	X.X	±0.40	XSR	mm			
A1	2012/10/29	Modify drawing	X.XX	±0.25	CHECK	A4			
A0	2012/07/12	NEW	X.XXX	±0.15	APPROVE	SHEET	1/1		
Customer NO.	DATE	APPROVE	DATE	DATE	DATE	DATE	DATE	DATE	DATE
PROJ.:	SHEET	PROJ.	PROJ.	PROJ.	PROJ.	PROJ.	PROJ.	PROJ.	PROJ.
Customer NO.	DATE	APPROVE	DATE	DATE	DATE	DATE	DATE	DATE	DATE
Customer NO.	DATE	APPROVE	DATE	DATE	DATE	DATE	DATE	DATE	DATE
Customer NO.	DATE	APPROVE	DATE	DATE	DATE	DATE	DATE	DATE	DATE

TITLE	PART NO.
TYPE 1	2220T-2XXMXXCUNX1
TYPE 2	2220T-2XXMXXCUNX2



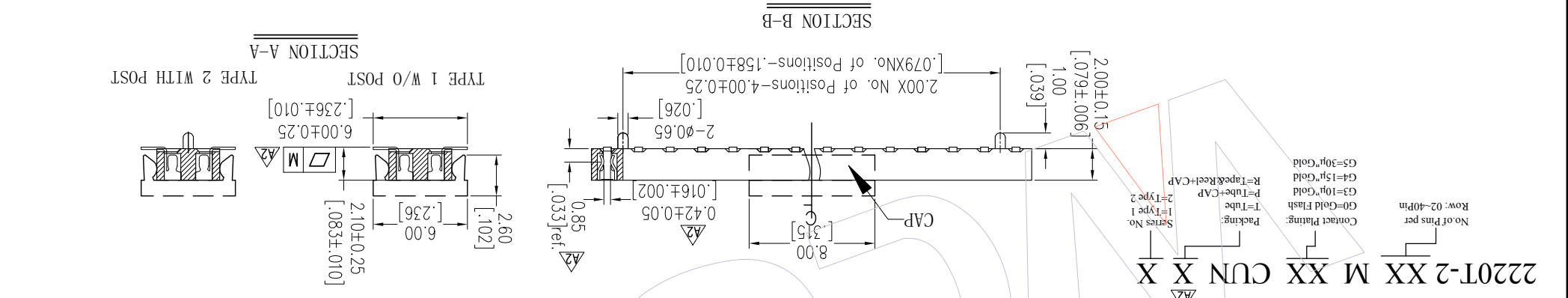
Recommended P.C.B Layout(Top Side)  
 (PCB BOARD TOLERANCE±0.05)

TITLE	PART NO.
TYPE 1	2220T-2XXMXXCUNX1
TYPE 2	2220T-2XXMXXCUNX2



Recommended P.C.B Layout(Top Side)  
 (PCB BOARD TOLERANCE±0.05)

TITLE	PART NO.
TYPE 1	2220T-2XXMXXCUNX1
TYPE 2	2220T-2XXMXXCUNX2



Recommended P.C.B Layout(Top Side)  
 (PCB BOARD TOLERANCE±0.05)

## X-ON Electronics

Largest Supplier of Electrical and Electronic Components

*Click to view similar products for [Headers & Wire Housings](#) category:*

*Click to view products by [Wcon](#) manufacturer:*

Other Similar products are found below :

[95000-104TRLF](#) [10135584-644402LF](#) [DF62W-EP2022PCA](#) [95000-106TRLF](#) [DF62W-2022SCA](#) [DF62W-EP2022PC](#) [2203348](#) [DF62W-2022SC](#) [1084018](#) [1029039](#) [1084017](#) [802-10-012-10-002000](#) [1112640](#) [1112639](#) [891-007-9SS-BST1T](#) [000-34000](#) [0008550134](#) [0009482033](#) [0009507031](#) [57102-F02-18ULF](#) [57102-S06-03LF](#) [57202-S52-04LF](#) [PCN6-15S-2.5E](#) [0039019024](#) [58102-G61-06LF](#) [582553-1](#) [0009485154](#) [0009508121](#) [0022285053](#) [0050291907](#) [018731A](#) [LY20-4P-DT1-P1E-BR](#) [02.125.8002.8](#) [60101931](#) [60598-1 \(Cut Strip\)](#) [M1625-3R/100](#) [61062-3](#) [61082-181009](#) [CSU011177004](#) [636-1427](#) [638009-1](#) [641938-9](#) [641991-4](#) [644168-1](#) [644827-2](#) [647662-1](#) [65039-019ELF](#) [65692-001LF](#) [65781-018](#) [65781-047](#)