

NOTES:

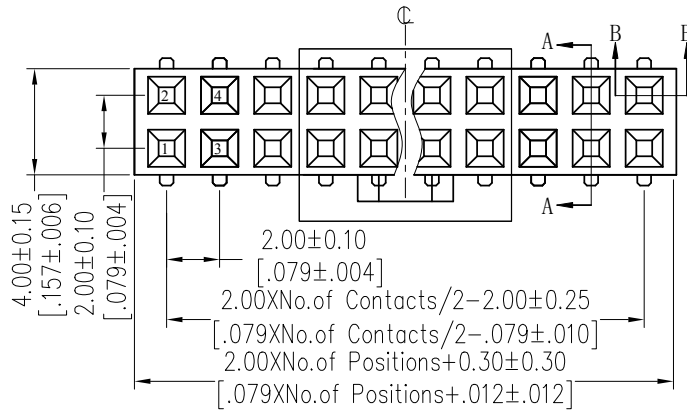
- Current Rating: 2.0AMP
- Contact Resistance: 20mΩ Max
- Withstand Voltage: 500V AC
- Insulation Resistance: 1000MΩ Min <sup>A2</sup>
- Operation Temperature: -40℃ to +125℃(Au)  
-40℃ to +105℃(Sn)
- Contact Material: Phosphor Bronze
- Contact plating: Au Or Sn over Ni
- Insulator Material: LCP+30%G.F UL94V-0 <sup>A1</sup>

## Ordering Information

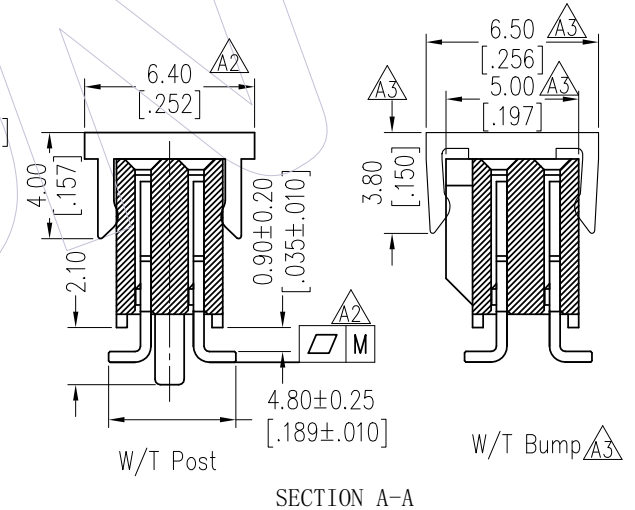
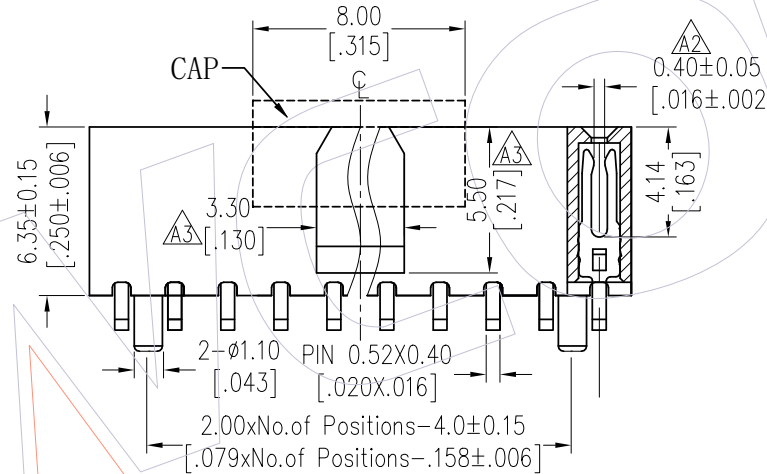
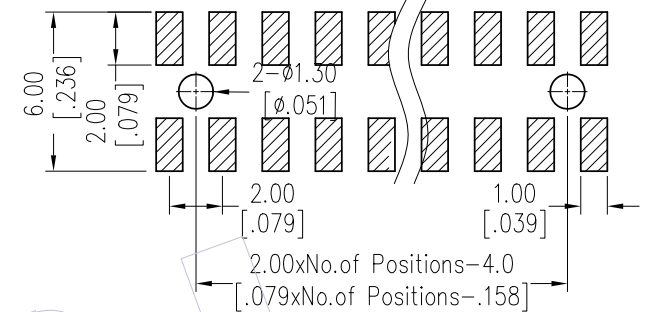
2263 - 2 XX MXX D Y NX X

No. of Pins per ROW: 02-40PIN    Insulator: D=LCP    Type <sup>A3</sup> (See Table)

- Contact Plating:  
 G0=Gold Flash  
 G3=10μ"Gold  
 G4=15μ"Gold  
 G5=30μ"Gold  
 S0=Gold Flash/Tin  
 S3=10μ"Gold/Tin  
 S4=15μ"Gold/Tin  
 S5=30μ"Gold/Tin  
 SN=Tin  
 SM=Matte Tin
- Packing:  
 T=Tube  
 P=Tube+CAP  
 R=Tape&Reel+CAP



### Recommended P.C.B Layout (Top Side) (PCB BOARD TOLERANCE ±0.05)



Item	Pitch	Mating
Standard	2.00	1215/1220
Alternate		

PIN	2-15P	16-25P	26-40P
M	0.10	0.15	0.18

TITLE	PART NO.	SPEC <sup>A3</sup>
TYPE 1	2263-2XXMXXDYNX1	W/O Post,W/O Bump
TYPE 2	2263-2XXMXXDYNX2	W/T Post,W/O Bump
TYPE 3	2263-2XXMXXDYNX6	W/O Post,W/T Bump
TYPE 4	2263-2XXMXXDYNX8	W/T Post,W/T Bump

REV	DATE	MODIFICATION DESCRIPTION	CHANGE	OPERATION	DRAW XSR	DATE	SCALE	FIT	PART NO.
A3	2021/06/07	Add W/T BUMP SPEC&P/N	-----	OPERATION	DRAW XSR	2021/06/07	UNIT	mm	SEE TABLE
A2	2019/11/11	Modify Drawing	-----	x.x ±0.40	CHECK	DATE	SIZE	A4	TITLE: 2.00mm Female Header DUAL ROW 180°SMT H=6.35
A1	2013/03/15	Modify drawing	-----	x.xx ±0.25	APPROVE	DATE	SHEET	1/1	Customer NO.
A0	2012/07/23	NEW	-----	x.xxx ±0.15			PROJ.		
				Angle ± 3°					
				DIM TOL					

**WCON**  
 Http: www.wcon.com

WCON-Dongguan      WCON-Kunshan  
 Tel: +86 769 85358920      Tel: +86 512 57468408  
 Fax: +86 769 85358915      Fax: +86 512 57468468  
 E-mail: sales@wcon.com      E-mail: salesks@wcon.com

## X-ON Electronics

Largest Supplier of Electrical and Electronic Components

*Click to view similar products for [Headers & Wire Housings](#) category:*

*Click to view products by [Wcon](#) manufacturer:*

Other Similar products are found below :

[57102-F02-18ULF](#) [58102-G61-06LF](#) [0009485154](#) [009176003701906](#) [0050291907](#) [02.125.8002.8](#) [609-3404](#) [61062-3](#) [622-0430](#) [622-3653LF](#)  
[63453-116](#) [636-1030](#) [636-1427](#) [636-3427](#) [636-4007](#) [641938-9](#) [644827-2](#) [65495-038](#) [65692-001LF](#) [65781-018](#) [65781-047](#) [65817-010LF](#)  
[65817-015LF](#) [66207-023LF](#) [67016-026LF](#) [67095-007LF](#) [68631-112](#) [68645-018](#) [68648-049](#) [699319-000](#) [70.362.1628.0](#) [70-4210](#) [70-4226B](#)  
[70-4853B](#) [707-5020](#) [707-5028](#) [71.350.2428.0](#) [71961-016LF](#) [733-134](#) [754199-000](#) [760-3052](#) [787-8014-00](#) [FCN-367T-T012/H](#) [80.063.4001.1](#)  
[800-90-001-10-001000](#) [800-90-010-10-002000](#) [801-43-002-10-013000](#) [801-43-006-10-002000](#) [803-41-018-10-001000](#) [803-43-014-20-](#)  
[001000](#)