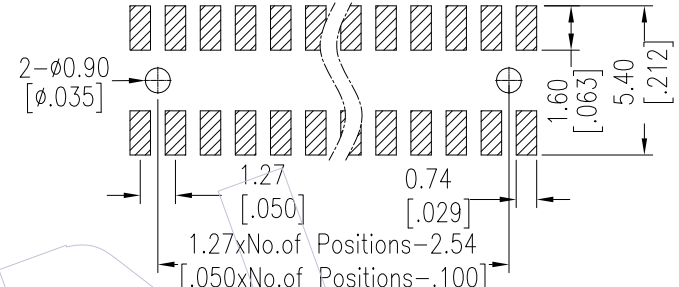
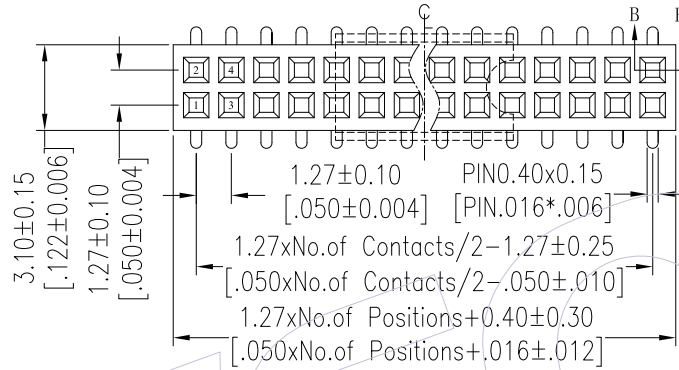


# HSF

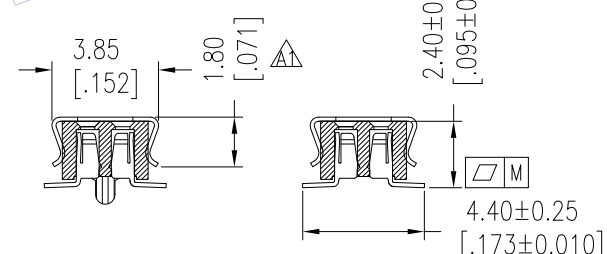
NOTES:  
 Current Rating: 1.0AMP  
 Contact Resistance: 20mΩ Max  
 Withstand Voltage: 500V AC/DC  
 Insulation Resistance: 1000MΩ Min  
 Operation Temperature: -40°C to +105°C

Contact Material: Phosphor Bronze  
 Contact plating: Au over Ni  
 Insulator Material: PA9T+30%GF UL94V-0

Recommended P.C.B Layout(Top Side)  
 (PCB BOARD TOLERANCE ±0.05)



special cap for 2\*2pin, 2\*3P, 2\*4P



TYPE 2 (W/T POST)      TYPE 1 (W/O POST)

SECTION A-A

## Ordering Information

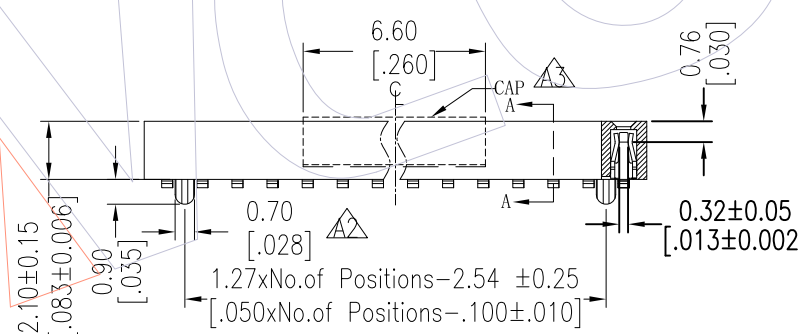
2321-2 XX M XX CUN T X

No. of Pins per Row: 02~50Pin

Contact Plating:  
 G0=Gold Flash  
 G3=10μ"Gold  
 G4=15μ"Gold  
 G5=30μ"Gold

Packing:  
 T=Tube  
 P=Tube+CAP  
 R=Tape&Reel+CAP

Series No.  
 1=Type 1  
 2=Type 2



SECTION B-B



1~9P	M=0.10
10~19P	M=0.15
20P以上	M=0.25

TITLE	PART NO.
TYPE 1	2321-2XXMXXCUNT1
TYPE 2	2321-2XXMXXCUNT2

Item	Pitch	Mating
Standard	1.27	1310/1315/1320
Alternate		

REV	DATE	MODIFICATION DESCRIPTION	CHANGE	OPERATION	DRAW	DATE	SCALE	FIT	PART NO.
A3	2014/12/30	Modify CAP			Wang	2014/12/30	UNIT	mm	SEE TABLE
A2	2014/11/04	Modify Post	-----	x.x			SIZE	A4	TITLE: 1.27mm DUAL FEMALE HEADER SMT H=2.10
A1	2013/08/21	Modify cap 2.00 → 1.80	-----	x.xx			SHEET	1/1	Customer NO.
A0	2012/07/06	NEW	-----	x.xxx			PROJ.		
				Angle	± 3°	APPROVE			
				DIM	TOL	DATE			

# WCON

Http: www.wcon.com

WCON-Dongguan      WCON-Kunshan  
 Tel: +86 769 85358920      Tel: +86 512 57468408  
 Fax: +86 769 85358915      Fax: +86 512 57468468  
 E-mail: sales@wcon.com      E-mail: sales@wcon.com

## X-ON Electronics

Largest Supplier of Electrical and Electronic Components

*Click to view similar products for [Headers & Wire Housings](#) category:*

*Click to view products by [Wcon](#) manufacturer:*

Other Similar products are found below :

[95000-104TRLF](#) [10135584-644402LF](#) [DF62W-EP2022PCA](#) [95000-106TRLF](#) [DF62W-2022SCA](#) [DF62W-EP2022PC](#) [2203348](#) [DF62W-2022SC](#) [1084018](#) [1029039](#) [1084017](#) [802-10-012-10-002000](#) [1112640](#) [1112639](#) [891-007-9SS-BST1T](#) [000-34000](#) [0008550134](#) [0009482033](#) [0009507031](#) [57102-F02-18ULF](#) [57102-S06-03LF](#) [57202-S52-04LF](#) [PCN6-15S-2.5E](#) [0039019024](#) [58102-G61-06LF](#) [582553-1](#) [0009485154](#) [0009508121](#) [0022285053](#) [0050291907](#) [018731A](#) [LY20-4P-DT1-P1E-BR](#) [02.125.8002.8](#) [60101931](#) [60598-1 \(Cut Strip\)](#) [M1625-3R/100](#) [61062-3](#) [61082-181009](#) [CSU011177004](#) [636-1427](#) [638009-1](#) [641938-9](#) [641991-4](#) [644168-1](#) [644827-2](#) [647662-1](#) [65039-019ELF](#) [65692-001LF](#) [65781-018](#) [65781-047](#)