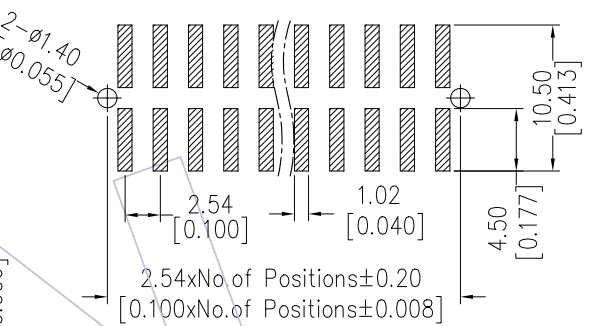
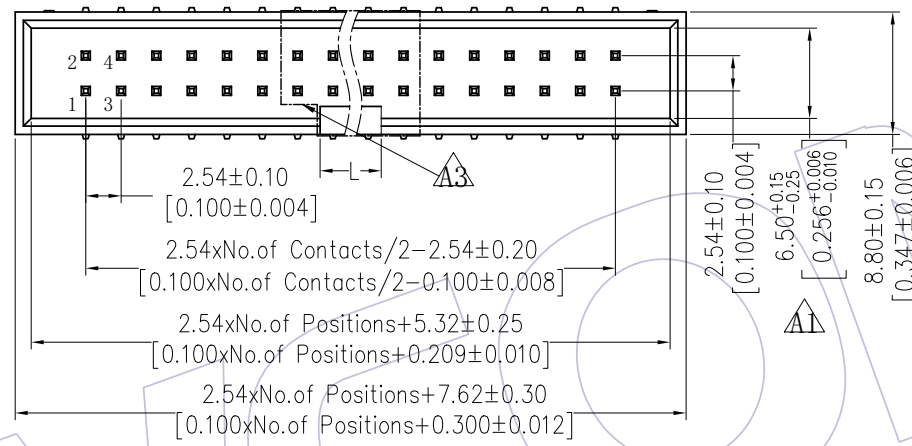


HSF

Recommended P. C. B Layout (Top Side)
(PCB BOARD TOLERANCE ±0.05)

NOTES:
 Current Rating: 3AMP
 Contact Resistance: 20mΩ max
 Withstand Voltage: 500V AC/DC
 Insulation Resistance: 1000MΩ min
 Operation Temperature: -40℃ to +105℃

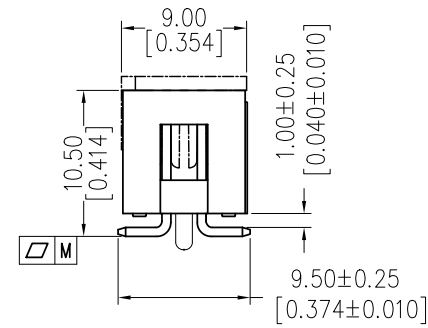
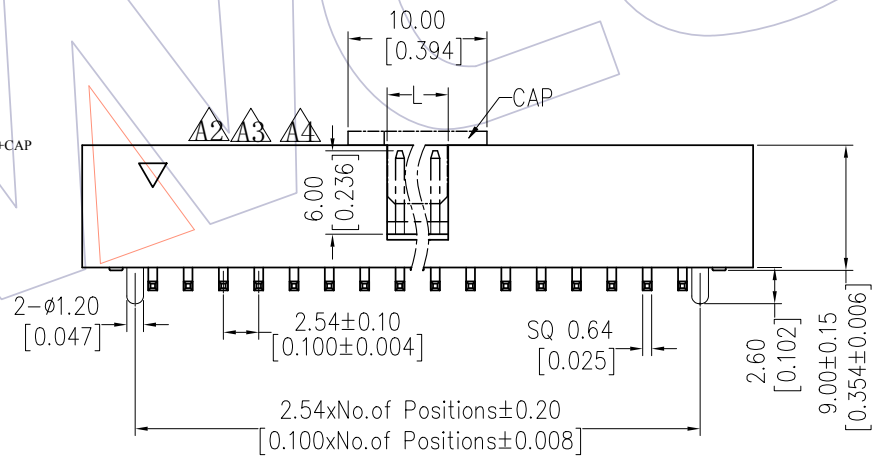
Contact Material: Brass
 Contact plating: Au or Sn Over Ni
 Insulator Material: PA9T+33%G.F(UL94V-0)



Ordering Information

3110-XX M XX B K00 X X

- No. of Pins
6P 24P
8P 26P
10P 30P
12P 34P
14P 40P
16P 50P
18P 60P
20P 64P
- Contact Plating
G0=Gold Flash
G3=10u"Gold
G4=15u"Gold
G5=30u"Gold
S0=Gold Flash/Tin
S3=10u"Gold/Tin
S4=15u"Gold/Tin
S5=30u"Gold/Tin
SN=Tin
- Color Insulator
B=Black
- Packing:
T=Tube
P=Tube+CAP
R=Tape&Reel+CAP



Dimension antitheses list

	NO. Pin		L
△△	PIN	6-40P 40-64P	6P-8P 4.00
	M	0.10 0.15	10P-64P 4.40

A5	2019/01/24	MODIFY PART NO.	△△	OPERATION	DRAW	DATE	SCALE	FIT	PART NO.
A4	2018/11/09	5.90--6.00	△△	x.x ±0.40	Ding	2019/01/24	UNIT	mm	3110-XXMXXBK00XX △△
A3	2012/09/05	MODIFY CAP	△△	x.xx ±0.25	CHECK	DATE	SIZE	inch	
A0	2008/05/08	NEW	—	x.xxx ±0.15	APPROVE	DATE	SHEET	1/1	TITLE:
REV	DATE	MODIFICATION DESCRIPTION	CHANGE	Angle ± 3°			PROJ.		2.54 BOX HEADER SMT H=9.0 WITH POST
				DIM TOL					Customer NO.

WCON
 Http: www.wcon.com

WCON-Dongguan Tel: +86 769 85358920 Fax: +86 769 85358915 E-mail: sales@wcon.com

WCON-Kunshan Tel: +86 512 57468408 Fax: +86 512 57468468 E-mail: salesks@wcon.com

X-ON Electronics

Largest Supplier of Electrical and Electronic Components

Click to view similar products for [I/O Connectors](#) category:

Click to view products by [Wcon](#) manufacturer:

Other Similar products are found below :

[571763P](#) [61-168618-12P](#) [D20419-211](#) [72.250.1628.2](#) [72.250.2428.2](#) [76.350.0729.0](#) [76871-1403](#) [PCR-E36PM](#) [PCS-XE26LKA](#) [PCS-XES68MS+](#) [G38A71314B](#) [9776-18-6](#) [1571250010](#) [157-22500-3](#) [MS3471L14-19P L/C](#) [192991-0703](#) [91-644626-35P](#) [172501-6002](#) [FCN-260C008-A/L0](#) [FCN-260C024-AL0](#) [FCN-261Z008](#) [2000314-1](#) [200331-1](#) [PCS-E28FS+](#) [PCS-XE26SLFD+](#) [PCS-XE26SLFDT+](#) [G730VID08BDC24](#) [HDMR-29-01-S-SM-TR](#) [HDRA-E68W1LFDTC-SL+](#) [54182-0605](#) [UE86K842720321](#) [38113800006](#) [DP3AR020WQ1R200](#) [Z4.102.0680.0](#) [500-1040](#) [500-1052](#) [500-1054](#) [ZP-4008-66L](#) [10-565995-597N](#) [10-584459-12P](#) [5554841-1](#) [SM3106F14S-7S-LC](#) [SM3106R18-18S](#) [U90B3054061110](#) [U65-E04-4020](#) [ZPF000000000097891](#) [557-262M2-06C](#) [PCS-96LFD+](#) [60-042222-02S](#) [10099439-003C-TRLF](#)