

HSF

NOTES:

Current Rating: 3.0AMP
 Contact Resistance: 20mΩ Max
 Withstand Voltage: 1000V AC/DC
 Insulation Resistance: 1000MΩ Min
 Operation Temperature: -40°C to +105°C

Contact Material: Brass
 Contact plating: Au Or Sn over Ni
 Insulator Material: PA9T+30%G.F UL94V-0(Std)
 Or PBT+30%G.F UL94V-0

Ordering Information

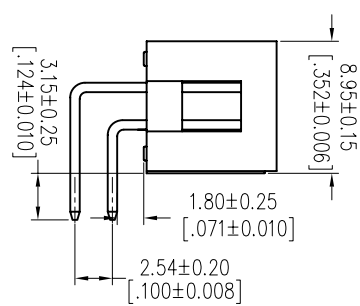
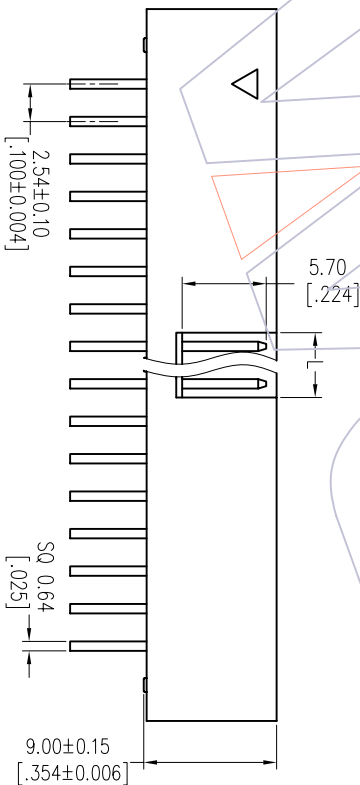
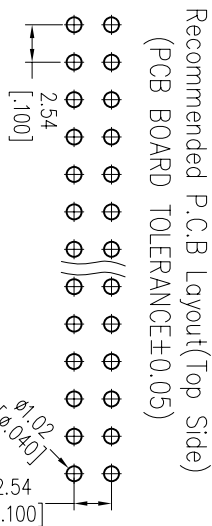
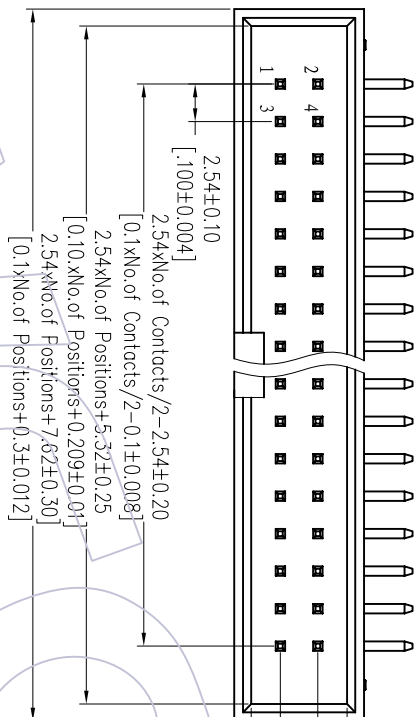
3110-XX R XX B K00 XX

No. of Pins: 6P 24P 8P 26P 10P 30P 12P 34P 14P 40P 16P 50P 18P 60P 20P 64P

Contact Plating: G0=Gold Flash G3=10u"Gold G4=15u"Gold G5=30u"Gold S0=Gold Flash/Tin S3=10u"Gold/Tin S4=15u"Gold/Tin S5=30u"Gold/Tin SN=Tin

Color Insulator: B=Black U=Blue G=Gray(427C) F=Gray(413C)

Packing: A=Tray T=Tube



Item	Pitch	Mating
Standard	2.54	5212/2185
Alternate		

NO. Pin	L
6P-8P	4.00
10P-64P	4.40

REV	DATE	MODIFICATION DESCRIPTION
A0	2012/09/25	NEW

OPERATION	DRAW	DATE	SCALE	FIT	PART NO.
XX	JYHuong	2012/09/25	UNIT	mm	3110-XXRXXBK00XX
XX	CHECK	DATE	SIZE	A4	TITLE:
X.XXX	±0.25		1/1	Customer NO.	2.54 BOX HEADER 90° H=9.0
Angle	±0.15	APPROVE			
DIM	TOL	DATE			
CHANGE					

WCON

Http: www.wcon.com

WCON-Dongguan Tel: +86 769 85358920 Fax: +86 769 85358915 E-mail: sales@wcon.com

WCON-Kunshan Tel: +86 512 57468408 Fax: +86 512 57468468 E-mail: sales@wcon.com

X-ON Electronics

Largest Supplier of Electrical and Electronic Components

Click to view similar products for [wcon](#) manufacturer:

Other Similar products are found below :

[2185-140SG0AYNT1](#) [1125-1206G0S155C002](#) [2263-205SG0DYNT6](#) [2185-207ZG0CYNT1](#) [2157-140SG0CYNT1](#) [1125-2212G0S280C001](#)
[WF2543-1H03B01](#) [WF2543-1H04B01](#) [1220-1210G0M087P1](#) [WF2543-1H07B01](#) [2185DN1-205SG0CYNT1](#) [3622-S040-027G1R02](#) [2263-222RG0DYNT1](#) [1215-2114G0S076C002](#) [1325-1208G0Z093CT01](#) [1125-2208G0S360C001](#) [2220T-206MS0CUNT2](#) [3622-P040-038G1R02](#)
[WF1501-WM09ER1](#) [1125-1206G0M113CR01](#) [WF2005-2H09W01](#) [6223-09FMNS0B02](#) [6212-26FHS0B01](#) [3220-20SW0BST1](#) [WF2005-WR02ET2](#) [2185DN2-106SG0CYNT1](#) [2185-240SG0AYNT1](#) [2111P-232SG0FYNT4](#) [3111-20MSNBK00R1](#) [1125-2205G0S210C001](#) [2185-208SS0CYNT1](#) [2159-213RG0CUNT1](#) [2263D-204SG0DYNT6](#) [2185-209SS1CYNT2](#) [2211-112MG0CYNR4](#) [2227T-204MG3CUNR1](#) [2185-210SG0CYNR1](#) [6212-26MHS0B01](#) [3610-S020-040G1R01](#) [WF3001-2WR03BA1](#) [WF1001A-WZ06ET1](#) [6321D-040SDS1PNT01](#) [2185-208SSNCYNT1](#) [6320D-040RDS1PNT01](#) [WF2547-2H06B01](#) [2135-207MH3CUNR3](#) [2243-211WG0CUNT2](#) [2185-104ZG0CYNR1](#) [2272-209RG0CUNT1](#) [WF2549-2WS10S0B01](#)