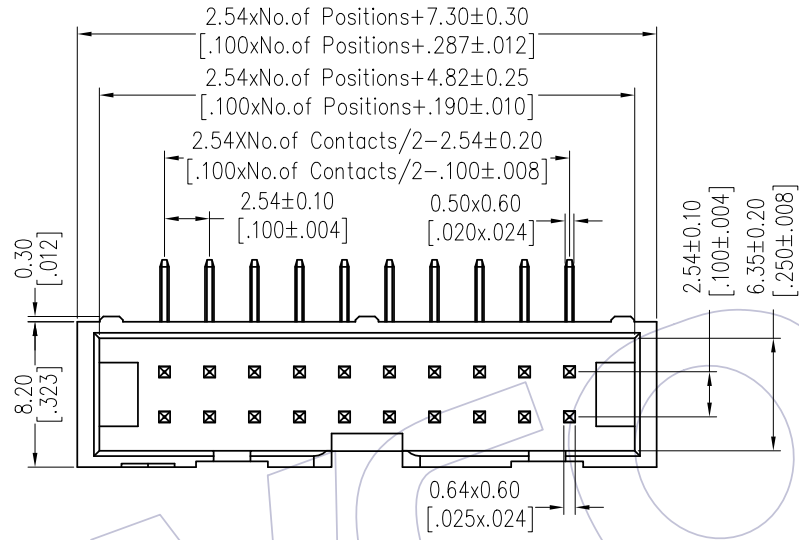


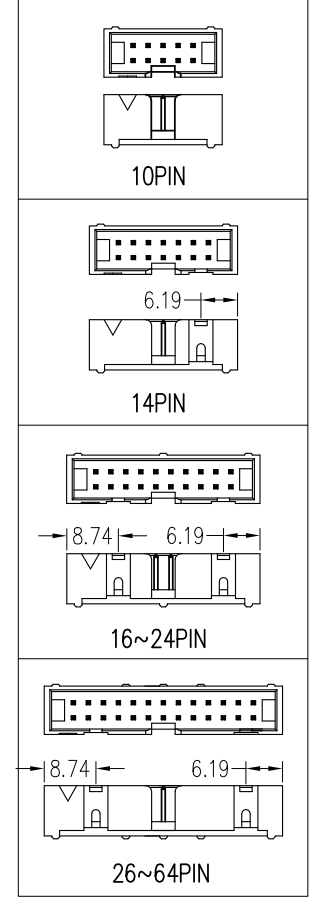
HSF

Recommended P.C.B Layout (Top Side)
(PCB BOARD TOLERANCE±0.05)

NOTES:
 Rated Current: 3.0AMP.
 Contact Resistance: 20mΩ Max.
 Withstand Voltage: 1000V AC/DC
 Insulation Resistance: 1000MΩ Min.
 Operation Temperature: -40℃ to +105℃
 Contact Material: Brass
 Contact Plating: Au or Sn Over Ni
 Insulator Material: PBT+30%G.F UL94V-0 BK



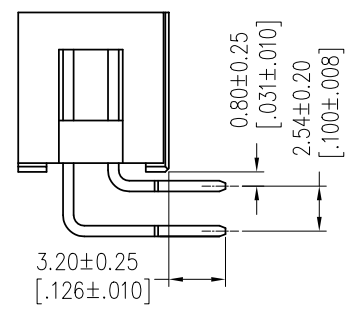
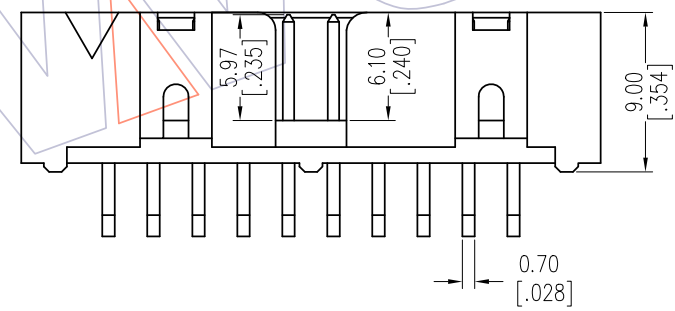
SCALE 1:3



Ordering Information

3113- XX R XX B K00 X 1

| | | |
|-------------|-------------------|---------|
| No. of Pins | Contact Plating | Packing |
| 10P 30P | S0=Gold Flash/Tin | A=Tray |
| 14P 34P | S3=10u"Gold/Tin | |
| 16P 40P | S4=15u"Gold/Tin | |
| 20P 50P | S5=30u"Gold/Tin | |
| 24P 60P | SN=Tin | |
| 26P 64P | | |



| | | | | | |
|-------------|--------------|--------------------------|--------|--------------|---------------------------|
| OPERATION | DRAW | DATE | SCALE | Fit | PART NO. |
| x.x ±0.40 | William Chen | 2016/03/15 | UNIT | mm [inch] | 3113-XXRXXBK00XX |
| x.xx ±0.25 | CHECK | DATE | SIZE | A4 | TITLE: |
| x.xxx ±0.15 | APPROVE | DATE | SHEET | 1/1 | 2.54 Box Header,R/A,H=9.0 |
| Angle ± 3° | | | PROJ. | Customer NO. | |
| DIM TOL | | | | | |
| REV | DATE | MODIFICATION DESCRIPTION | CHANGE | | |
| AO | 2016/03/15 | NEW | ----- | | |

WCON
 Http: www.wcon.com

WCON-Dongguan Tel: +86 769 85358920
 Fax: +86 769 85358915
 E-mail: sales@wcon.com

WCON-Kunshan Tel: +86 512 57468408
 Fax: +86 512 57468468
 E-mail: salesks@wcon.com

X-ON Electronics

Largest Supplier of Electrical and Electronic Components

Click to view similar products for [I/O Connectors](#) category:

Click to view products by [Wcon](#) manufacturer:

Other Similar products are found below :

[571763P](#) [61-168618-12P](#) [D20419-211](#) [72.250.1628.2](#) [72.250.2428.2](#) [76.350.0729.0](#) [76871-1403](#) [PCR-E36PM](#) [PCS-XE26LKA](#) [PCS-XES68MS+](#) [G38A71314B](#) [9776-18-6](#) [1571250010](#) [157-22500-3](#) [MS3471L14-19P L/C](#) [192991-0703](#) [91-644626-35P](#) [172501-6002](#) [FCN-260C008-A/L0](#) [FCN-260C024-AL0](#) [FCN-261Z008](#) [2000314-1](#) [200331-1](#) [PCS-E28FS+](#) [PCS-XE26SLFD+](#) [PCS-XE26SLFDT+](#) [G730VID08BDC24](#) [HDMR-29-01-S-SM-TR](#) [HDRA-E68W1LFDTC-SL+](#) [54182-0605](#) [UE86K842720321](#) [38113800006](#) [DP3AR020WQ1R200](#) [Z4.102.0680.0](#) [500-1040](#) [500-1052](#) [500-1054](#) [ZP-4008-66L](#) [10-565995-597N](#) [10-584459-12P](#) [5554841-1](#) [SM3106F14S-7S-LC](#) [SM3106R18-18S](#) [U90B3054061110](#) [U65-E04-4020](#) [ZPF000000000097891](#) [557-262M2-06C](#) [PCS-96LFD+](#) [60-042222-02S](#) [10099439-003C-TRLF](#)