

HSF

NOTES:
 Current Rating:2.0AMP
 Contact Resistance:20mΩ max
 Withstand Voltage:500V AC/DC
 Insulation Resistance:1000MΩ min
 Operation Temperature:-40°C to +105°C

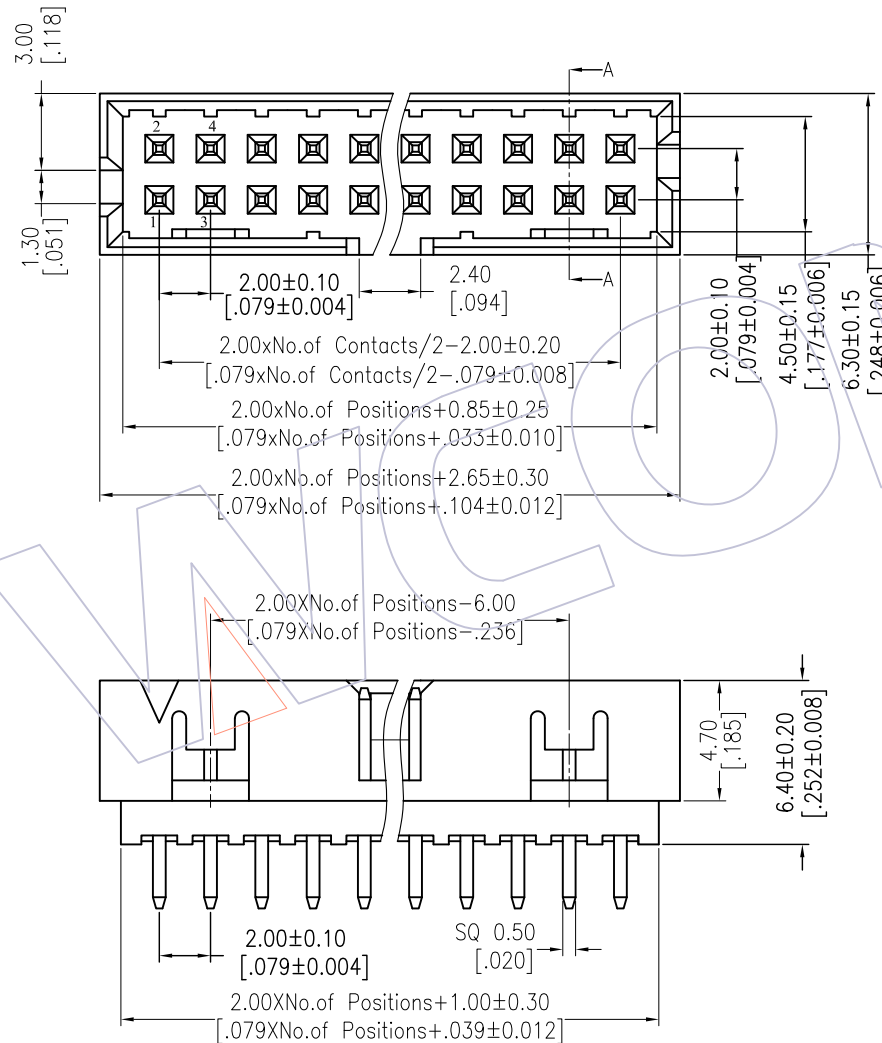
Contact Material:Brass
 Contact plating:Au or Sn Over Ni
 Insulator Material:PA9T+30%GF(UL94V-0)

Ordering Information

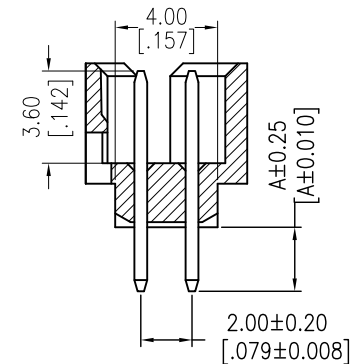
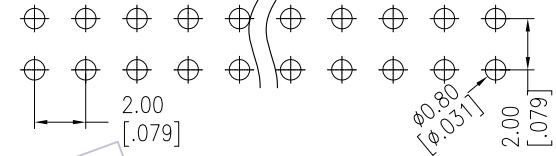
3121-XX S XX B K00 X 1

△ No. of Pins	Contact Plating	Color Insulator	Packing
14 30	G0=Gold Flash	B=Black	T=Tube
16 34	G3=10u"Gold		
20 40	G4=15u"Gold		
24 44	G5=30u"Gold		
26 50	S0=Gold Flash/Tin		
	S3=10u"Gold/Tin		
	S4=15u"Gold/Tin		
	S5=30u"Gold/Tin		
	SN=Tin		

Item	Pitch	Mating	Dip(A)
Standard	2.00	5223/5226	2.50
Alternate			



Recommended P.C.B Layout(Top Side)
 (PCB BOARD TOLERANCE±0.05)



SECTION A-A

REV	DATE	MODIFICATION DESCRIPTION	CHANGE	OPERATION	DRAW	DATE	SCALE	FIT	PART NO.
				x.x ±0.40	Allen	2015/08/27	UNIT	mm	3121-XXSXXBK00X1
A1	2015/08/27	Modify	△	x.xx ±0.25	CHECK	DATE	SIZE	A4	TITLE:
AO	2012/09/22	NEW	----	x.xxx ±0.15	APPROVE	DATE	SHEET	1/1	2.00 BOX HEADER 180° H=6.4
				Angle ± 3'			PROJ.	⌀	Customer NO.
				DIM TOL					

WCON
 Http: www.wcon.com

WCON-Dongguan Tel: +86 769 85358920 Fax: +86 769 85358915 E-mail: sales@wcon.com

WCON-Kunshan Tel: +86 512 57468408 Fax: +86 512 57468468 E-mail: salesks@wcon.com

X-ON Electronics

Largest Supplier of Electrical and Electronic Components

Click to view similar products for [I/O Connectors](#) category:

Click to view products by [Wcon](#) manufacturer:

Other Similar products are found below :

[571763P](#) [61-168618-12P](#) [D20419-211](#) [72.250.1628.2](#) [72.250.2428.2](#) [76.350.0729.0](#) [76871-1403](#) [PCR-E36PM](#) [PCS-XE26LKA](#) [PCS-XES68MS+](#) [G38A71314B](#) [9776-18-6](#) [1571250010](#) [157-22500-3](#) [MS3471L14-19P L/C](#) [192991-0703](#) [91-644626-35P](#) [172501-6002](#) [FCN-260C008-A/L0](#) [FCN-260C024-AL0](#) [FCN-261Z008](#) [2000314-1](#) [200331-1](#) [PCS-E28FS+](#) [PCS-XE26SLFD+](#) [PCS-XE26SLFDT+](#) [G730VID08BDC24](#) [HDMR-29-01-S-SM-TR](#) [HDRA-E68W1LFDTC-SL+](#) [54182-0605](#) [UE86K842720321](#) [38113800006](#) [DP3AR020WQ1R200](#) [Z4.102.0680.0](#) [500-1040](#) [500-1052](#) [500-1054](#) [ZP-4008-66L](#) [10-565995-597N](#) [10-584459-12P](#) [5554841-1](#) [SM3106F14S-7S-LC](#) [SM3106R18-18S](#) [U90B3054061110](#) [U65-E04-4020](#) [ZPF000000000097891](#) [557-262M2-06C](#) [PCS-96LFD+](#) [60-042222-02S](#) [10099439-003C-TRLF](#)