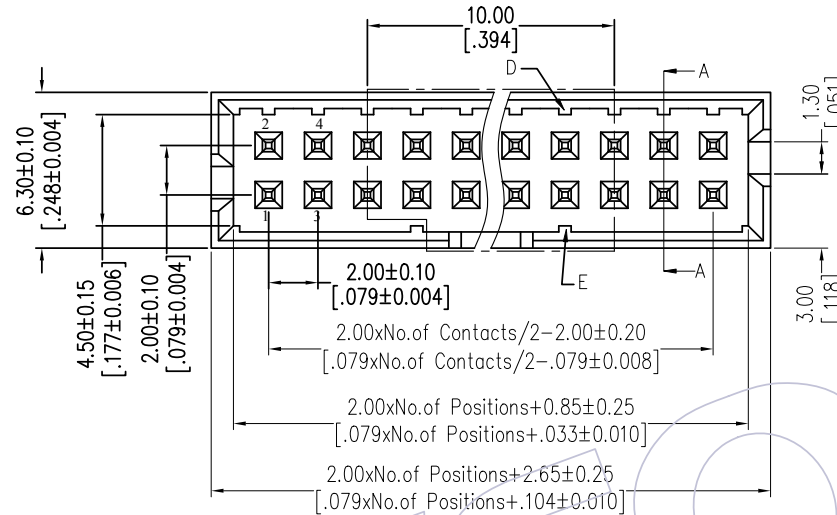


HSF

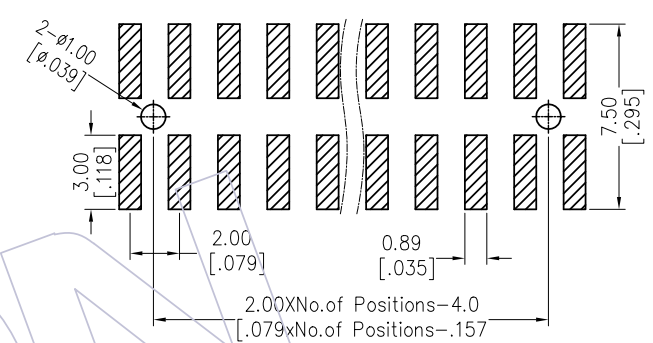
NOTES:

Current Rating: 2.0AMP
 Contact Resistance: 20mΩ Max
 Withstand Voltage: 500V AC/DC
 Insulation Resistance: 1000MΩ Min
 Operation Temperature: -40℃ to +105℃

Contact Material: Brass
 Contact plating: Au Or Sn over Ni
 Insulator Material: PA9T+33%G.F UL94V-0
 6Pin Without structure "D", "E"



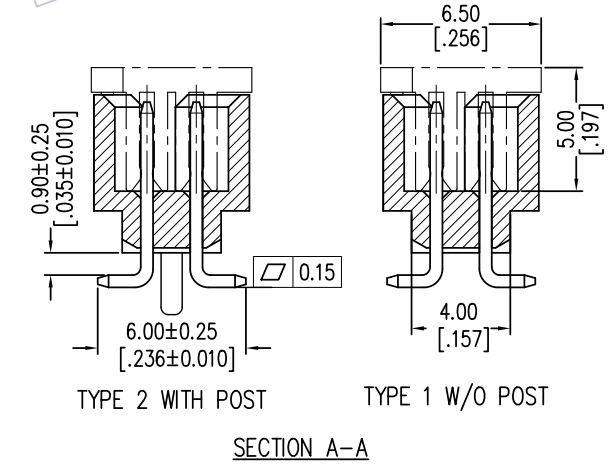
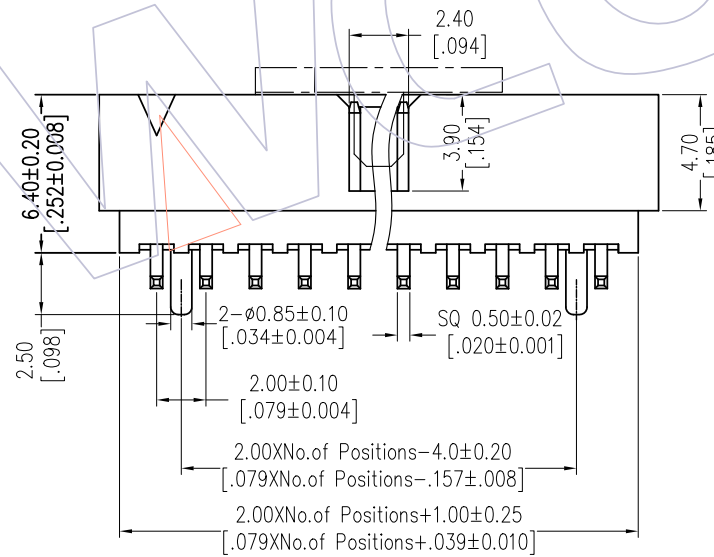
Recommended P.C.B Layout (Top Side)
 (PCB BOARD TOLERANCE ± 0.05)



Ordering Information

3121A-XX M XX B K00 X X

△	No. of Pins	Contact Plating	Color Insulator	Packing	Series No.
	6 26	G0=Gold Flash	B=Black	1=Type 1	
	8 30	G3=10u"Gold		T=Tube 2=Type 2	
	10 34	G4=15u"Gold		P=Tube+CAP	
	14 40	G5=30u"Gold		R=Tape&REEL+CAP	
	16 44	S0=Gold Flash/Tin			
	20 50	S3=10u"Gold/Tin			
	24	S4=15u"Gold/Tin			
		S5=30u"Gold/Tin			
		SN=Tin			



Item	Pitch	Mating
Standard	2.00	5223
Alternate		

OPERATION	DRAW	DATE	SCALE	FIT	PART NO.
x.x ± 0.40	Allen	2015/08/27	UNIT	mm	3121A-XXMXXBK00XX
x.xx ± 0.25	CHECK	DATE	SIZE	A4	TITLE:
x.xxx ± 0.15	APPROVE	DATE	SHEET	1/1	2.00 BOX HEADER SMT H=6.4 WITHOUT CUT
Angle ± 3°			PROJ.		Customer NO.
DIM TOL					

WCON
 Http: www.wcon.com

WCON-Dongguan
 Tel: +86 769 85358920
 Fax: +86 769 85358915
 E-mail: sales@wcon.com

WCON-Kunshan
 Tel: +86 512 57468408
 Fax: +86 512 57468468
 E-mail: salesks@wcon.com

REV	DATE	MODIFICATION DESCRIPTION	CHANGE
A1	2015/08/27	Modify	△
AO	2012/09/21	NEW	-----

X-ON Electronics

Largest Supplier of Electrical and Electronic Components

Click to view similar products for [I/O Connectors](#) category:

Click to view products by [Wcon](#) manufacturer:

Other Similar products are found below :

[571763P](#) [61-168618-12P](#) [D20419-211](#) [72.250.1628.2](#) [72.250.2428.2](#) [76.350.0729.0](#) [76871-1403](#) [PCR-E36PM](#) [PCS-XE26LKA](#) [PCS-XES68MS+](#) [G38A71314B](#) [9776-18-6](#) [1571250010](#) [157-22500-3](#) [MS3471L14-19P L/C](#) [192991-0703](#) [91-644626-35P](#) [172501-6002](#) [FCN-260C008-A/L0](#) [FCN-260C024-AL0](#) [FCN-261Z008](#) [2000314-1](#) [200331-1](#) [PCS-E28FS+](#) [PCS-XE26SLFD+](#) [PCS-XE26SLFDT+](#) [G730VID08BDC24](#) [HDMR-29-01-S-SM-TR](#) [HDRA-E68W1LFDTC-SL+](#) [54182-0605](#) [UE86K842720321](#) [38113800006](#) [DP3AR020WQ1R200](#) [Z4.102.0680.0](#) [500-1040](#) [500-1052](#) [500-1054](#) [ZP-4008-66L](#) [10-565995-597N](#) [10-584459-12P](#) [5554841-1](#) [SM3106F14S-7S-LC](#) [SM3106R18-18S](#) [U90B3054061110](#) [U65-E04-4020](#) [ZPF000000000097891](#) [557-262M2-06C](#) [PCS-96LFD+](#) [60-042222-02S](#) [10099439-003C-TRLF](#)