

# HSF

NOTES:  
 Current Rating:1.5AMP  
 Contact Resistance:20mΩ max  
 Withstand Voltage:500V AC/DC  
 Insulation Resistance:1000MΩ min  
 Operation Temperature:-40°C to +105°C

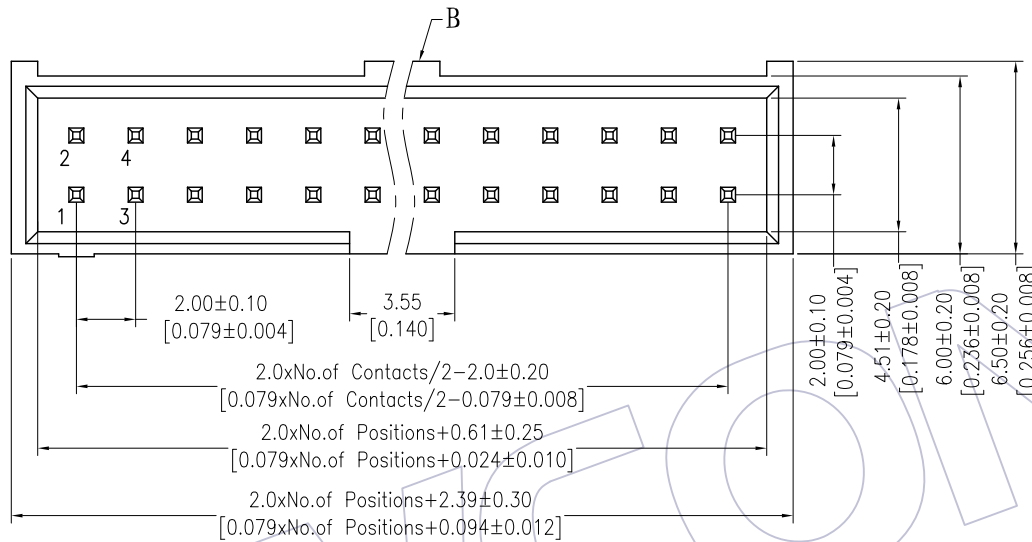
Contact Material:Brass  
 Contact plating:Au or Sn Over Ni  
 Insulator Material:LCP+30%GF(UL94V-0)

4P-6P Without "A" and "B"

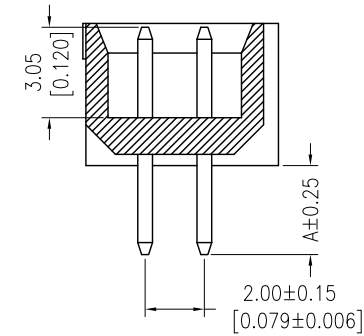
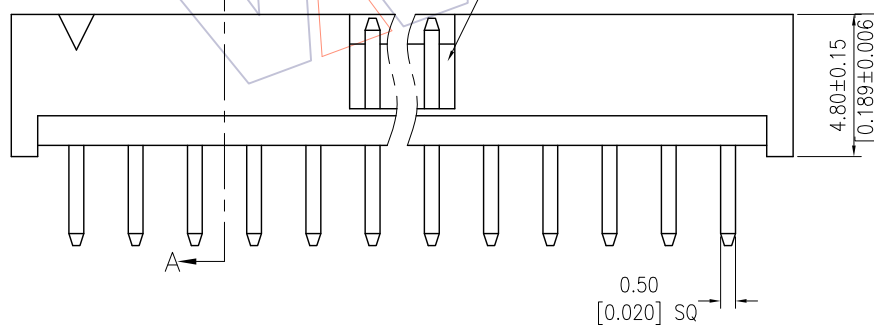
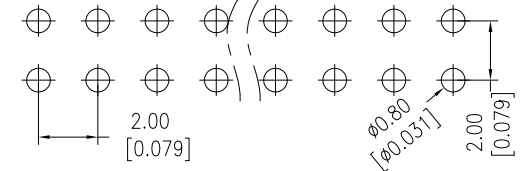
### Ordering Information

3124A-XX S XX B K00 X 1

No.of Pins	Contact Plating	Color Insulator	Packing
10 30	G0=Gold Flash	B=Black	T=Tube
14 34	G1=3u"Gold		
16 40	G2=5u"Gold		
20 44	G3=10u"Gold		
24 50	G4=15u"Gold		
26 60	G5=30u"Gold		
	S0=Gold Flash/Tin		
	S1=3u"Gold/Tin		
	S2=5u"Gold/Tin		
	S3=10u"Gold/Tin		
	S4=15u"Gold/Tin		
	S5=30u"Gold/Tin		
	SN=Tin		



Recommended P. C. B Layout (Top Side)  
 (PCB BOARD TOLERANCE ± 0.05)



Dimension antitheses list	
ITEM	A
Standard	3.00
Alternate	

REV	DATE	MODIFICATION DESCRIPTION	CHANGE	DIM	TOL	APPROVE	DATE	SHEET	PROJ.	PART NO.	TITLE:	Customer NO.
A3	2015/04/02	MODIFY		OPERATION		DRAW	DATE	SCALE	FIT	3124A-XXSXXBK00X1	2.00 BOX HEADER 180° H=4.8 "S" TYPE (SHORT TYPE)	
A2	2012/08/21	MODIFY 3124-XXSXXBS00X1 → 3124A-XXSXXBK00X1		x.X	±0.40	Allen	2015/04/02	UNIT	mm			
A1	2012/07/30	MODIFY 3124-XXSXXBK00X2 → 3124-XXSXXBS00X1		x.XX	±0.25	CHECK	DATE	SIZE	A4			
A0	2008/05/06	NEW		x.XXX	±0.15	APPROVE	DATE	SHEET	1/1			
				Angle	± 3'			PROJ.				

**WCON**  
 Http: www.wcon.com

WCON-Dongguan Tel: +86 769 85358920 Fax: +86 769 85358915 E-mail: sales@wcon.com  
 WCON-Kunshan Tel: +86 512 57468408 Fax: +86 512 57468468 E-mail: salesks@wcon.com

## X-ON Electronics

Largest Supplier of Electrical and Electronic Components

*Click to view similar products for [I/O Connectors](#) category:*

*Click to view products by [Wcon](#) manufacturer:*

Other Similar products are found below :

[571763P](#) [61-168618-12P](#) [D20419-211](#) [72.250.1628.2](#) [72.250.2428.2](#) [76.350.0729.0](#) [76871-1403](#) [PCR-E36PM](#) [PCS-XE26LKA](#) [PCS-XES68MS+](#) [G38A71314B](#) [9776-18-6](#) [1571250010](#) [157-22500-3](#) [MS3471L14-19P L/C](#) [192991-0703](#) [91-644626-35P](#) [172501-6002](#) [FCN-260C008-A/L0](#) [FCN-260C024-AL0](#) [FCN-261Z008](#) [2000314-1](#) [200331-1](#) [PCS-E28FS+](#) [PCS-XE26SLFD+](#) [PCS-XE26SLFDT+](#) [G730VID08BDC24](#) [HDMR-29-01-S-SM-TR](#) [HDRA-E68W1LFDTC-SL+](#) [54182-0605](#) [UE86K842720321](#) [38113800006](#) [DP3AR020WQ1R200](#) [Z4.102.0680.0](#) [500-1040](#) [500-1052](#) [500-1054](#) [ZP-4008-66L](#) [10-565995-597N](#) [10-584459-12P](#) [5554841-1](#) [SM3106F14S-7S-LC](#) [SM3106R18-18S](#) [U90B3054061110](#) [U65-E04-4020](#) [ZPF000000000097891](#) [557-262M2-06C](#) [PCS-96LFD+](#) [60-042222-02S](#) [10099439-003C-TRLF](#)