

HSF

NOTES:
 Current Rating:1.5AMP
 Contact Resistance:20mΩ max
 Withstand Voltage:500V AC/DC
 Insulation Resistance:1000MΩ min
 Operation Temperature:-40°C to +105°C

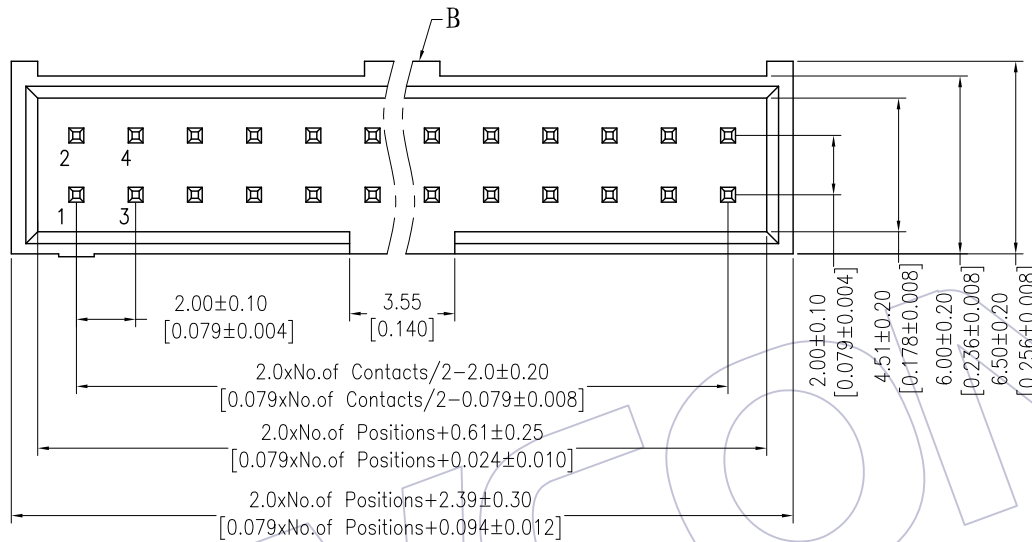
Contact Material:Brass
 Contact plating:Au or Sn Over Ni
 Insulator Material:LCP+30%GF(UL94V-0)

4P-6P Without "A" and "B"

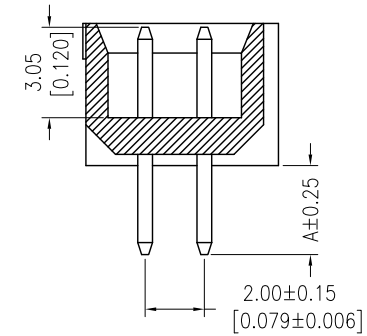
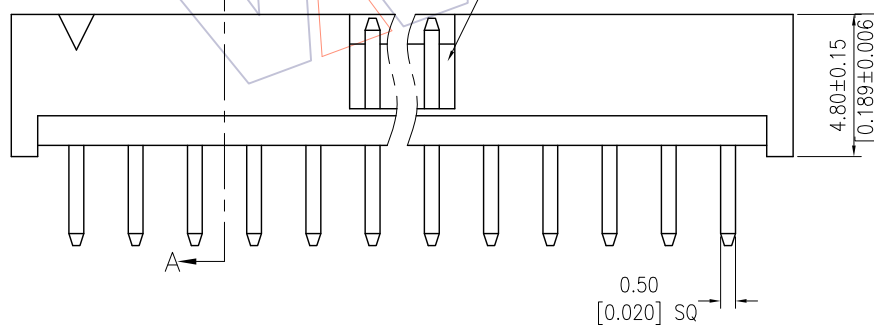
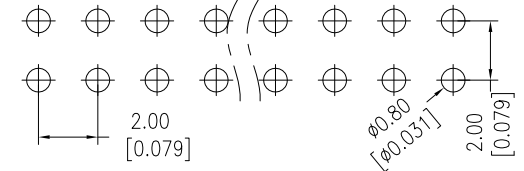
Ordering Information

3124A-XX S XX B K00 X 1

| No.of Pins | Contact Plating | Color Insulator | Packing |
|------------|-------------------|-----------------|---------|
| 10 30 | G0=Gold Flash | B=Black | T=Tube |
| 14 34 | G1=3u"Gold | | |
| 16 40 | G2=5u"Gold | | |
| 20 44 | G3=10u"Gold | | |
| 24 50 | G4=15u"Gold | | |
| 26 60 | G5=30u"Gold | | |
| | S0=Gold Flash/Tin | | |
| | S1=3u"Gold/Tin | | |
| | S2=5u"Gold/Tin | | |
| | S3=10u"Gold/Tin | | |
| | S4=15u"Gold/Tin | | |
| | S5=30u"Gold/Tin | | |
| | SN=Tin | | |



Recommended P. C. B Layout (Top Side)
 (PCB BOARD TOLERANCE ± 0.05)



| Dimension antitheses list | |
|---------------------------|------|
| ITEM | A |
| Standard | 3.00 |
| Alternate | |

| REV | DATE | MODIFICATION DESCRIPTION | CHANGE | DIM | TOL | APPROVE | DATE | SHEET | PROJ. | PART NO. | TITLE: | Customer NO. |
|-----|------------|---|--------|-----------|-------|---------|------------|-------|-------|-------------------|---|--------------|
| A3 | 2015/04/02 | MODIFY | | OPERATION | | DRAW | DATE | SCALE | FIT | 3124A-XXSXXBK00X1 | | |
| A2 | 2012/08/21 | MODIFY 3124-XXSXXBS00X1 → 3124A-XXSXXBK00X1 | | X.X | ±0.40 | Allen | 2015/04/02 | UNIT | mm | | | |
| A1 | 2012/07/30 | MODIFY 3124-XXSXXBK00X2 → 3124-XXSXXBS00X1 | | X.XX | ±0.25 | CHECK | DATE | SIZE | A4 | | 2.00 BOX HEADER 180° H=4.8 "S" TYPE (SHORT TYPE) | |
| A0 | 2008/05/06 | NEW | | X.XXX | ±0.15 | APPROVE | DATE | SHEET | 1/1 | | | |
| | | | | Angle | ± 3' | | | PROJ. | | | | |

WCON
 Http: www.wcon.com

WCON-Dongguan Tel: +86 769 85358920 Fax: +86 769 85358915 E-mail: sales@wcon.com
 WCON-Kunshan Tel: +86 512 57468408 Fax: +86 512 57468468 E-mail: salesks@wcon.com

X-ON Electronics

Largest Supplier of Electrical and Electronic Components

Click to view similar products for [I/O Connectors](#) category:

Click to view products by [Wcon](#) manufacturer:

Other Similar products are found below :

[571763P](#) [61-168618-12P](#) [D20419-211](#) [72.250.1628.2](#) [72.250.2428.2](#) [76.350.0729.0](#) [76871-1403](#) [PCR-E36PM](#) [PCS-XE26LKA](#) [PCS-XES68MS+](#) [G38A71314B](#) [9776-18-6](#) [1571250010](#) [157-22500-3](#) [MS3471L14-19P L/C](#) [192991-0703](#) [91-644626-35P](#) [172501-6002](#) [FCN-260C008-A/L0](#) [FCN-260C024-AL0](#) [FCN-261Z008](#) [2000314-1](#) [200331-1](#) [PCS-E28FS+](#) [PCS-XE26SLFD+](#) [PCS-XE26SLFDT+](#) [G730VID08BDC24](#) [HDMR-29-01-S-SM-TR](#) [HDRA-E68W1LFDTC-SL+](#) [54182-0605](#) [UE86K842720321](#) [38113800006](#) [DP3AR020WQ1R200](#) [Z4.102.0680.0](#) [500-1040](#) [500-1052](#) [500-1054](#) [ZP-4008-66L](#) [10-565995-597N](#) [10-584459-12P](#) [5554841-1](#) [SM3106F14S-7S-LC](#) [SM3106R18-18S](#) [U90B3054061110](#) [U65-E04-4020](#) [ZPF000000000097891](#) [557-262M2-06C](#) [PCS-96LFD+](#) [60-042222-02S](#) [10099439-003C-TRLF](#)