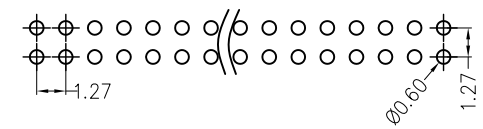
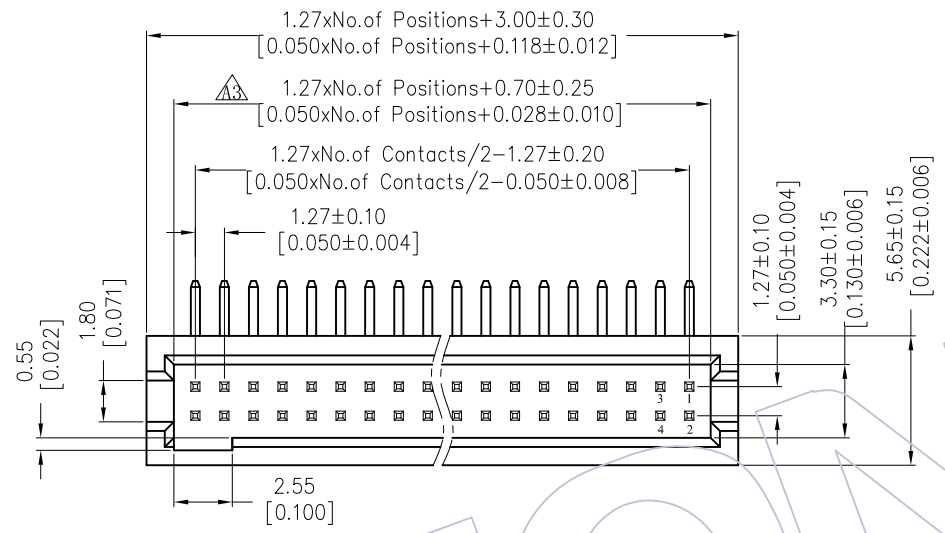


HSF

Recommended P.C.B Layout (Top Side)
(PCB BOARD TOLERANCE ±0.05)

NOTES:
Current Rating: 1AMP
Contact Resistance: 20mΩ max
Withstand Voltage: 500V AC/DC
Insulation Resistance: 1000MΩ min
Operation Temperature: -40°C to +105°C

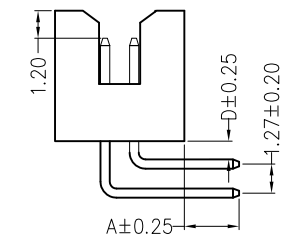
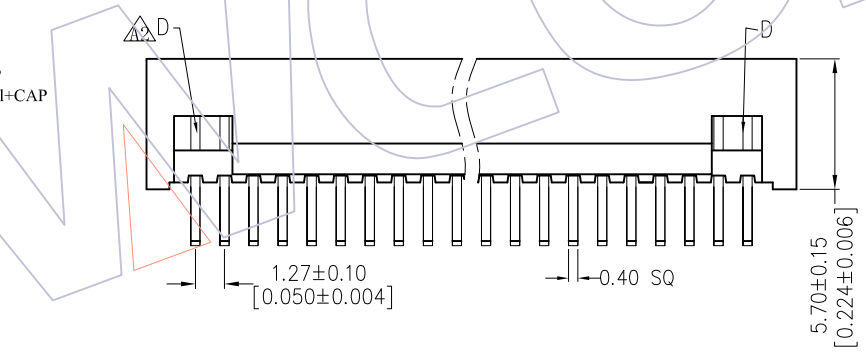
Contact Material: Brass
Contact plating: Au or Sn Over Ni
Insulator Material: PA9T+33%GF(UL94V-0)
6 To 8 Pin No "D" Configuration



Ordering Information

3131-XX R XX B K 00 X 1

No. of Pins	Contact Plating	Color Insulator	Packing
6 8	G0=Gold Flash	B=Black	T=Tube
10 34	G3=10u"Gold		P=Tube+CAP
14 40	G4=15u"Gold		R=Tape&Reel+CAP
20 44	G5=30u"Gold		
24 50	S0=Gold Flash/Tin		
26 60	S3=10u"Gold/Tin		
30 64	S4=15u"Gold/Tin		
32 80	S5=30u"Gold/Tin		
100	SN=Tin		



Item	Pitch	Mating	A	D
Standard	1.27	2344	2.40	0.80
Alternate				

A3	2016/11/14	Change Dimension	OPERATION	DRAW	DATE	SCALE	FIT	PART NO.
A2	2013/09/27	Modify						
A1	2012/12/28	MODIFY THE NOTES	X.XX	±0.25	CHECK	DATE	TITLE:	1.27 BOX HEADER 90° H=5.70
A0	2012/09/18	NEW	X.XXX	±0.15	APPROVE	DATE	Customer NO.	
REV	DATE	MODIFICATION DESCRIPTION	CHANGE	Angle	DIM	TOL	SHEET	PROJ.

WCON
Http: www.wcon.com

WCON-Dongguan
Tel: +86 769 85358920
Fax: +86 769 85358915
E-mail: sales@wcon.com

WCON-Kunshan
Tel: +86 512 57468408
Fax: +86 512 57468468
E-mail: salesks@wcon.com

X-ON Electronics

Largest Supplier of Electrical and Electronic Components

Click to view similar products for [I/O Connectors](#) category:

Click to view products by [Wcon](#) manufacturer:

Other Similar products are found below :

[571763P](#) [61-168618-12P](#) [D20419-211](#) [72.250.1628.2](#) [72.250.2428.2](#) [76.350.0729.0](#) [76871-1403](#) [PCR-E36PM](#) [PCS-XE26LKA](#) [PCS-XES68MS+](#) [G38A71314B](#) [9776-18-6](#) [1571250010](#) [157-22500-3](#) [MS3471L14-19P L/C](#) [192991-0703](#) [91-644626-35P](#) [172501-6002](#) [FCN-260C008-A/L0](#) [FCN-260C024-AL0](#) [FCN-261Z008](#) [2000314-1](#) [200331-1](#) [PCS-E28FS+](#) [PCS-XE26SLFD+](#) [PCS-XE26SLFDT+](#) [G730VID08BDC24](#) [HDMR-29-01-S-SM-TR](#) [HDRA-E68W1LFDTC-SL+](#) [54182-0605](#) [UE86K842720321](#) [38113800006](#) [DP3AR020WQ1R200](#) [Z4.102.0680.0](#) [500-1040](#) [500-1052](#) [500-1054](#) [ZP-4008-66L](#) [10-565995-597N](#) [10-584459-12P](#) [5554841-1](#) [SM3106F14S-7S-LC](#) [SM3106R18-18S](#) [U90B3054061110](#) [U65-E04-4020](#) [ZPF000000000097891](#) [557-262M2-06C](#) [PCS-96LFD+](#) [60-042222-02S](#) [10099439-003C-TRLF](#)