

# HSF

NOTES:  
 Current Rating: 1AMP  
 Contact Resistance: 20mΩ max  
 Withstand Voltage: 500V AC/DC  
 Insulation Resistance: 1000MΩ min  
 Operation Temperature: -40°C to +105°C

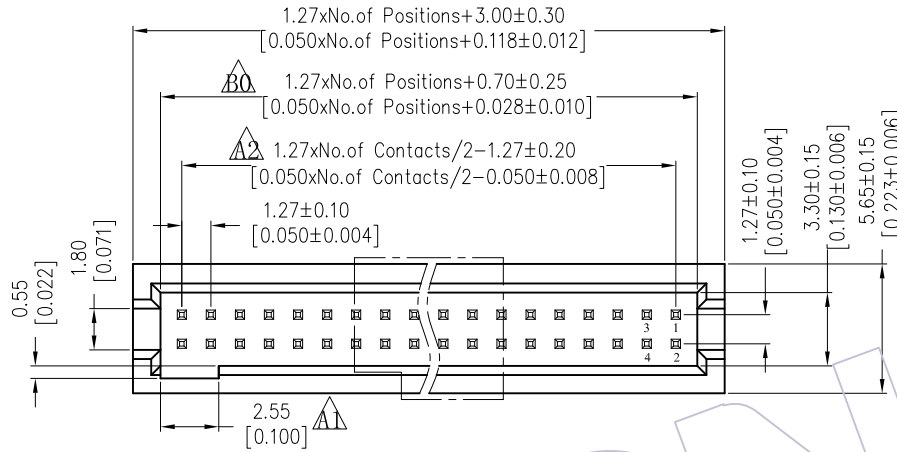
Contact Material: Brass  
 Contact plating: Au or Sn Over Ni  
 Insulator Material: PA9T+33%GF(UL94V-0)

6 To 8 Pin No "D" Configuration

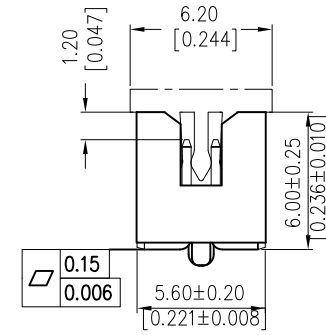
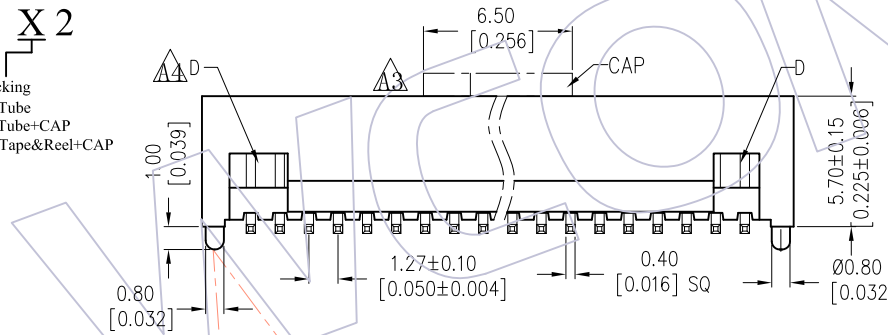
## Ordering Information

3131-XX M XX BK 00 X 2

No. of Pins	Contact Plating	Color Insulator	Packing
10 34	G0=Gold Flash	B=Black	T=Tube
14 40	G3=10u"Gold		P=Tube+CAP
20 44	G4=15u"Gold		R=Tape&Reel+CAP
24 50	G5=30u"Gold		
26 60	S0=Gold Flash/Tin		
30 64	S3=10u"Gold/Tin		
32 80	S4=15u"Gold/Tin		
100	S5=30u"Gold/Tin		
	SN=Tin		



Recommended P.C.B Layout (Top Side)  
 (PCB BOARD TOLERANCE ± 0.05)



B0	2016/11/11	Change Dimension	CHANGE	OPERATION	DRAW	DATE	SCALE	FIT	PART NO. 3131-XXMXXBK00X2	
A5	2014/09/16	Modify		X.X	±0.40	DingWenMin	2016/11/11	UNIT		mm
A4	2013/09/27	Modify		X.XX	±0.25	CHECK	DATE	SIZE		A4
A0	2008/04/25	NEW		X.XXX	±0.15	APPROVE	DATE	SHEET		1/1
REV	DATE	MODIFICATION DESCRIPTION		Angle	± 3'		PROJ.	Customer NO.	TITLE: 1.27 BOX HEADER SMT H=5.70 WITH POST	
				DIM	TOL					

# WCON

Http: www.wcon.com

WCON-Dongguan  
 Tel: +86 769 85358920  
 Fax: +86 769 85358915  
 E-mail: sales@wcon.com

WCON-Kunshan  
 Tel: +86 512 57468408  
 Fax: +86 512 57468468  
 E-mail: salesks@wcon.com

## X-ON Electronics

Largest Supplier of Electrical and Electronic Components

*Click to view similar products for [I/O Connectors](#) category:*

*Click to view products by [Wcon](#) manufacturer:*

Other Similar products are found below :

[571763P](#) [61-168618-12P](#) [D20419-211](#) [72.250.1628.2](#) [72.250.2428.2](#) [76.350.0729.0](#) [76871-1403](#) [PCR-E36PM](#) [PCS-XE26LKA](#) [PCS-XES68MS+](#) [G38A71314B](#) [9776-18-6](#) [1571250010](#) [157-22500-3](#) [MS3471L14-19P L/C](#) [192991-0703](#) [91-644626-35P](#) [172501-6002](#) [FCN-260C008-A/L0](#) [FCN-260C024-AL0](#) [FCN-261Z008](#) [2000314-1](#) [200331-1](#) [PCS-E28FS+](#) [PCS-XE26SLFD+](#) [PCS-XE26SLFDT+](#) [G730VID08BDC24](#) [HDMR-29-01-S-SM-TR](#) [HDRA-E68W1LFDTC-SL+](#) [54182-0605](#) [UE86K842720321](#) [38113800006](#) [DP3AR020WQ1R200](#) [Z4.102.0680.0](#) [500-1040](#) [500-1052](#) [500-1054](#) [ZP-4008-66L](#) [10-565995-597N](#) [10-584459-12P](#) [5554841-1](#) [SM3106F14S-7S-LC](#) [SM3106R18-18S](#) [U90B3054061110](#) [U65-E04-4020](#) [ZPF000000000097891](#) [557-262M2-06C](#) [PCS-96LFD+](#) [60-042222-02S](#) [10099439-003C-TRLF](#)