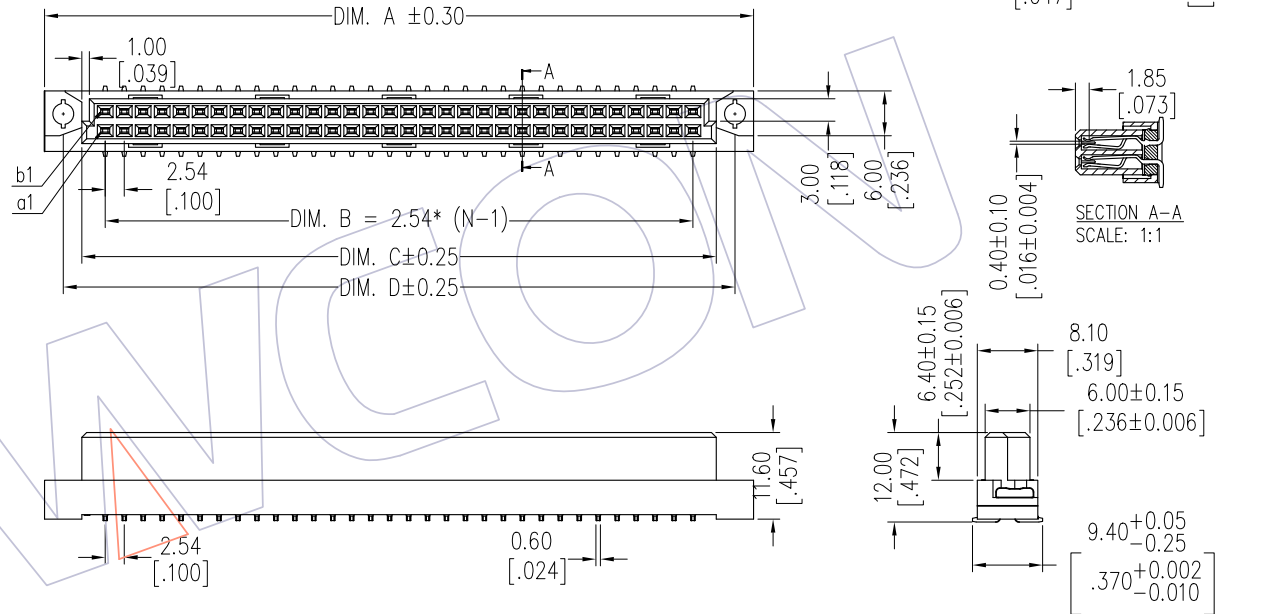


HSF

Recommended P.C.B Layout (Top Side)
(PCB BOARD TOLERANCE ±0.05)

NOTES:
 Current Rating: 3.0AMP
 Contact Resistance: 30mΩ max
 Withstand Voltage: 1000V AC/DC
 Insulation Resistance: 1000MΩ
 Operation Temperature: -55℃~+105℃

Contact Material: Phosphor Bronze
 Contact Plating: Au and Sn over Ni
 Fixing Material: Phosphor Bronze
 Fixing Plating: Sn over Ni
 Housing Material: PA9T+33% G.F(UL94V-0)
 Cover Material: PA9T+33% G.F(UL94V-0)



Ordering Information

3410-2 XX X FM SX N A X

No. of Pins Per Row:
 10pin
 16pin
 32pin

Rows with Contacts
 B=a+b
 D=a

Contact Plating
 S0=Gold Flash/Tin
 S1=3u"Gold/Tin
 S3=10u"Gold/Tin
 S4=15u"Gold/Tin
 S5=30u"Gold/Tin
 SN=Tin

Packing
 A=Tray
 N=Without Lock

32	0.15MAX
16	0.12MAX
10	0.10MAX
PIN	□

B	64	2	32	95.00	78.74	85.00	90.00
B/2	32	2	16	55.00	38.10	44.40	50.00
B/3	20	2	10	39.76	22.86	29.10	34.76
TYPE	POS.	ROWS	N	DIM.A	DIM.B	DIM.C	DIM.D

				OPERATION	DRAW	DATE	SCALE	FIT	PART NO.
				X.X	XSR	2019/11/02	UNIT	mm	3410-2XXXFMSXNAX
				±0.40	CHECK	DATE	SIZE	A4	TITLE:
A1	2019/11/02	Material: PBT TO PA9T		X.XX			SHEET	1/1	2.54PITCH DIN 41612
A0	2016/09/22	NEW		±0.15	APPROVE	DATE	PROJ.	Customer NO.	B, B/2, B/3 TYPE FEMALE SMT
REV	DATE	MODIFICATION DESCRIPTION	CHANGE	Angle					
				± 3'					
				DIM	TOL				

WCON

Http: www.wcon.com

WCON-Dongguan
 Tel: +86 769 85358920
 Fax: +86 769 85358915
 E-mail: sales@wcon.com

WCON-Kunshan
 Tel: +86 512 57468408
 Fax: +86 512 57468468
 E-mail: salesks@wcon.com

X-ON Electronics

Largest Supplier of Electrical and Electronic Components

Click to view similar products for [Headers & Wire Housings](#) category:

Click to view products by [Wcon](#) manufacturer:

Other Similar products are found below :

[57102-F02-18ULF](#) [58102-G61-06LF](#) [0009485154](#) [009176003701906](#) [0050291907](#) [02.125.8002.8](#) [609-3404](#) [61062-3](#) [622-0430](#) [622-3653LF](#)
[63453-116](#) [636-1030](#) [636-1427](#) [636-3427](#) [636-4007](#) [641938-9](#) [644827-2](#) [65495-038](#) [65692-001LF](#) [65781-018](#) [65781-047](#) [65817-010LF](#)
[65817-015LF](#) [66207-023LF](#) [67016-026LF](#) [67095-007LF](#) [68631-112](#) [68645-018](#) [68648-049](#) [699319-000](#) [70.362.1628.0](#) [70-4210](#) [70-4226B](#)
[70-4853B](#) [707-5020](#) [707-5028](#) [71.350.2428.0](#) [71961-016LF](#) [733-134](#) [754199-000](#) [760-3052](#) [787-8014-00](#) [FCN-367T-T012/H](#) [80.063.4001.1](#)
[800-90-001-10-001000](#) [800-90-010-10-002000](#) [801-43-002-10-013000](#) [801-43-006-10-002000](#) [803-41-018-10-001000](#) [803-43-014-20-](#)
[001000](#)