

HSF

TECHNICAL SPECS:

Current Rating:3.0AMP
 Contact Resistance:10mΩ Max
 Dielectric Strength: Min 1000VRMS
 Mechanical Life: Min 500 cycles
 Mating Pin:φ0.7 to φ0.9mm or 0.635SQ
 Forces: (polished steel gauge φ0.76mm)
 Insertion:150g Max/Pin,Withdrawal:30g Min/Pin
 Operation Temperature:-40°C to +105°C

Sleeve:Brass CuZn36Pb3(C36000)
 Contact Clip(6 finger):BeCu(C17200)
 Insulator Material:PPS+30%G.F(UL94V-0)

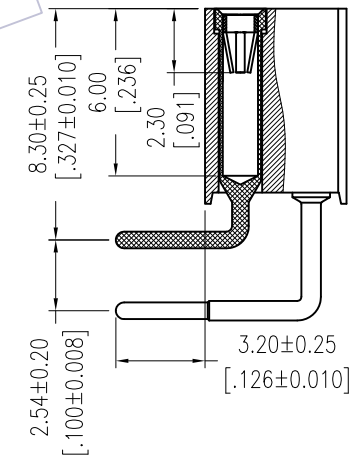
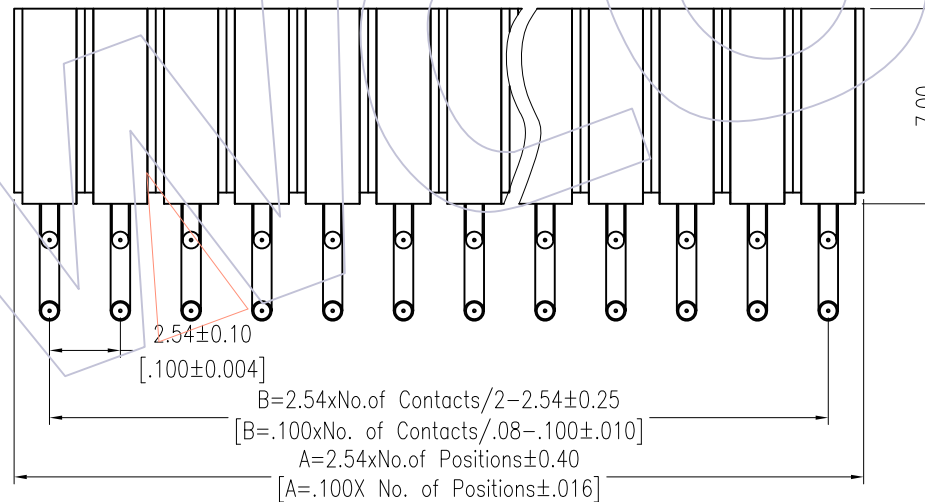
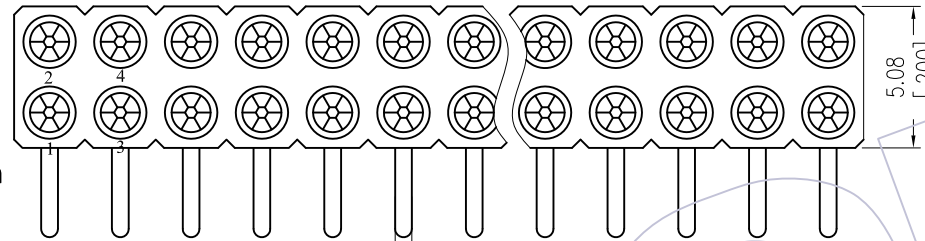
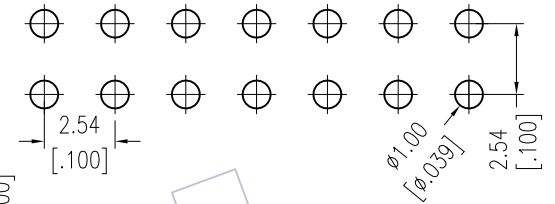
Ordering Information

3521-702 XX R XX 124 X 1

| | | |
|-----------------------------|---|-----------------------------|
| No. of Pin 2-40PIN ▲▲ | Contact Plating S0=Gold Flash/Tin S3=10u"Gold/Tin S4=15u"Gold/Tin S5=30u"Gold/Tin SN=Tin | Packing A=Tray T=Tube |
|-----------------------------|---|-----------------------------|

| Item | Pitch | Mating |
|-----------|-------|--------|
| Standard | 2.54 | 3511 |
| Alternate | | |

Recommended P.C.B Layout(Top Side)
 (PCB BOARD TOLERANCE±0.05)



| REV | DATE | MODIFICATION DESCRIPTION | CHANGE | OPERATION | DRAW | DATE | SCALE | FIT | PART NO. |
|-----|------------|--------------------------|--------|-------------|---------|------------|-------|-----|--|
| | | | | x.x ±0.40 | Ding | 2018/03/07 | UNIT | mm | 3521-702XXRXX124X1 |
| A1 | 2018/03/07 | Modify | ----- | x.xx ±0.25 | CHECK | DATE | SIZE | A4 | TITLE: 2.54mm MACHINED FEMALE HEADER DUAL ROW 90° H=7.00 L=12.43 |
| AO | 2012/10/18 | NEW | ----- | x.xxx ±0.15 | APPROVE | DATE | SHEET | 1/1 | Customer NO. |
| | | | | Angle ± 3' | | | PROJ. | ⌀ | |
| | | | | DIM TOL | | | | | |

WCON

Http: www.wcon.com

| | |
|---|--|
| WCON-Dongguan Tel: +86 769 85358920 Fax: +86 769 85358915 E-mail: sales@wcon.com | WCON-Kunshan Tel: +86 512 57468408 Fax: +86 512 57468468 E-mail: salesks@wcon.com |
|---|--|

X-ON Electronics

Largest Supplier of Electrical and Electronic Components

Click to view similar products for [Headers & Wire Housings](#) category:

Click to view products by [Wcon](#) manufacturer:

Other Similar products are found below :

[57102-F02-18ULF](#) [58102-G61-06LF](#) [0009485154](#) [009176003701906](#) [0050291907](#) [02.125.8002.8](#) [609-3404](#) [61062-3](#) [622-0430](#) [622-3653LF](#)
[63453-116](#) [636-1030](#) [636-1427](#) [636-3427](#) [636-4007](#) [641938-9](#) [644827-2](#) [65495-038](#) [65692-001LF](#) [65781-018](#) [65781-047](#) [65817-010LF](#)
[65817-015LF](#) [66207-023LF](#) [67016-026LF](#) [67095-007LF](#) [68631-112](#) [68645-018](#) [68648-049](#) [699319-000](#) [70.362.1628.0](#) [70-4210](#) [70-4226B](#)
[70-4853B](#) [707-5020](#) [707-5028](#) [71.350.2428.0](#) [71961-016LF](#) [733-134](#) [754199-000](#) [760-3052](#) [787-8014-00](#) [FCN-367T-T012/H](#) [80.063.4001.1](#)
[800-90-001-10-001000](#) [800-90-010-10-002000](#) [801-43-002-10-013000](#) [801-43-006-10-002000](#) [803-41-018-10-001000](#) [803-43-014-20-](#)
[001000](#)