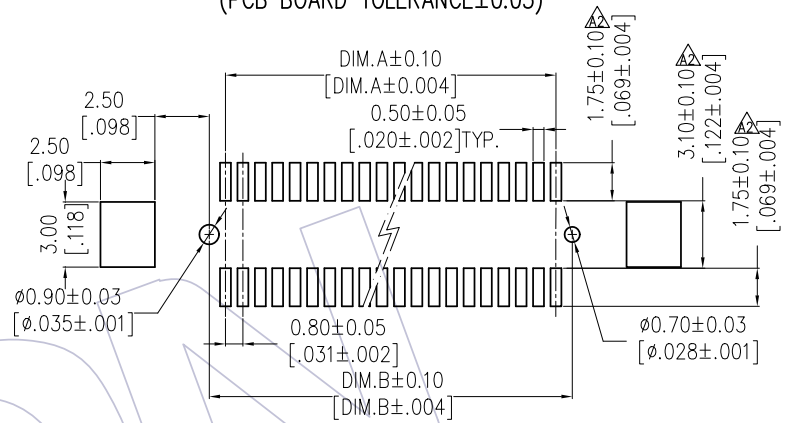
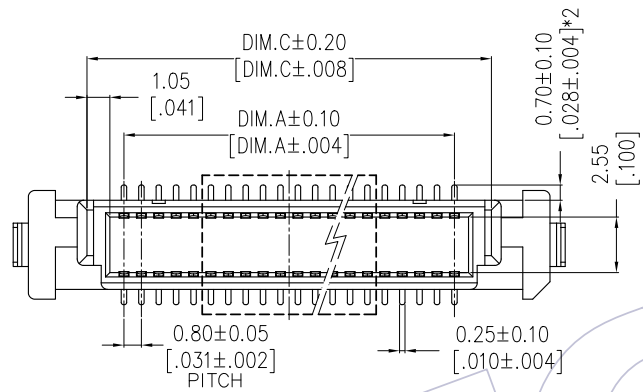


# HSF

NOTES:  
 Current Rating: 0.5A AMP  
 Voltage Rating: 200V AC/300V DC  
 Contact Resistance: 70milliohm Max  
 Withstand Voltage: 500V AC/DC  
 Insulation Resistance: 100Megohm Min  
 Operation Temperature: -40°C to +85°C

Housing Material: LCP(UL94V-0)  
 Contact Material: Phosphor Bronze  
 Hold Down Material: Brass  
 Contact plating: Au over Ni Plating

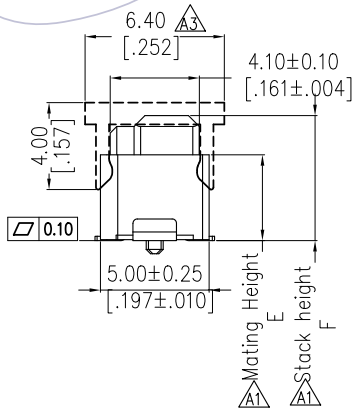
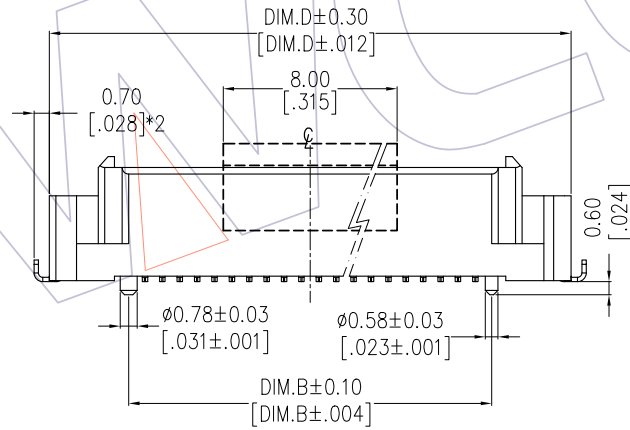
Recommended P.C.B Layout(Top Side)  
 (PCB BOARD TOLERANCE±0.05)



## Ordering Information

3615-P XXX - XXX XX X 01

No.of Pins    Housing High    Contact Plating    T=Tube  
 G1=3u"Gold    P=Tube+CAP  
 G2=5u"Gold    R=Tape&Reel+CAP  
 S1=3u"Gold/Tin  
 S2=5u"Gold/Tin



PART NO	E	F
3615-PXXX-047XXX01	3.00	4.75
3615-PXXX-057XXX01	4.00	5.75
3615-PXXX-077XXX01	6.00	7.75

NO.OF CONTACT	DIM.A	DIM.B	DIM.C	DIM.D
20	7.2	8.7	10.6	16
30	11.2	12.7	14.6	20
40	15.2	16.7	18.6	24
50	19.2	20.7	22.6	28
60	23.2	24.7	26.6	32
70	27.2	28.7	30.6	36
80	31.2	32.7	34.6	40
100	39.2	40.7	42.6	48
120	47.2	48.7	50.6	56
140	55.2	56.7	58.6	64

REV	DATE	MODIFICATION DESCRIPTION	CHANGE	OPERATION	DRAW	DATE	SCALE	FIT	PART NO.
A3	2019/11/11	MODIFY THE CAP	---	OPERATION	XSR	2019/11/11	SCALE	mm	3615-PXXX-XXXXXX01
A2	2013/01/10	MODIFY THE PCB	---	x.x ±0.40		CHECK	DATE	inch	
A1	2012/07/24	MODIFY	---	x.xx ±0.25	APPROVE	DATE	SIZE	A4	TITLE: 0.80mm B TO B "E" MALE SMT TYPE
A0	2012/01/31	NEW	---	x.xxx ±0.15			SHEET	1/1	
REV	DATE	MODIFICATION DESCRIPTION	CHANGE	Angle ± 3°	DIM	TOL	PROJ.	Customer NO.	

**WCON**  
 Http: www.wcon.com  
 WCON-Dongguan    WCON-Kunshan  
 Tel: +86 769 85358920    Tel: +86 512 57468408  
 Fax: +86 769 85358915    Fax: +86 512 57468468  
 E-mail: sales@wcon.com    E-mail: salesks@wcon.com

## X-ON Electronics

Largest Supplier of Electrical and Electronic Components

*Click to view similar products for [Board to Board & Mezzanine Connectors](#) category:*

*Click to view products by [Wcon](#) manufacturer:*

Other Similar products are found below :

[589158040000018](#) [MDF7C-18P-2.54DSA\(55\)](#) [FCN-268F036-G/BD](#) [FCN-268M012-G/0D](#) [FCN-268M024-G/1D](#) [FCN-723J004/1](#) [MIS-048-01-F-D-DP-K](#) [832-10-034-10-001000](#) [FX4C-80S-1.27DSA](#) [93696-330](#) [224393](#) [FCN-235D050-G/C](#) [210-93-314-41-105000](#) [2-22603-0](#) [MDF7-40DP-2.54DSA\(55\)](#) [5031084030](#) [MIT-114-03-F-D-K](#) [55323-1519](#) [45970-4130](#) [YFT-20-05-H-03-SB-K](#) [503308-3040](#) [026-6203-PDB](#) [027-6203-PDB](#) [069159702701000](#) [101A10019X](#) [105061100000861+](#) [55650-0588-C](#) [75140-7012](#) [87471-650](#) [YTW-30-07-H-Q-410-140](#) [YTT-112-01-H-Q](#) [063209](#) [0717420006](#) [FCN-268F024-G0D](#) [10124054-515LF](#) [68685-603](#) [8-1616154-3](#) [MIS-019-01-F-D](#) [YTQ-11201HQ](#) [IL-WX-10PB-HF-B-E1000E](#) [YFT-50-05-H-10-SB-K](#) [FCN-268M024-G/3D](#) [MDF7-16DP-2.54DSA\(55\)](#) [AXE810124](#) [FCN-214J100-G/0](#) [FCN-230C068-E/S](#) [AXE812124](#) [74220-001](#) [354184](#) [P50-028-DDS-TG](#)