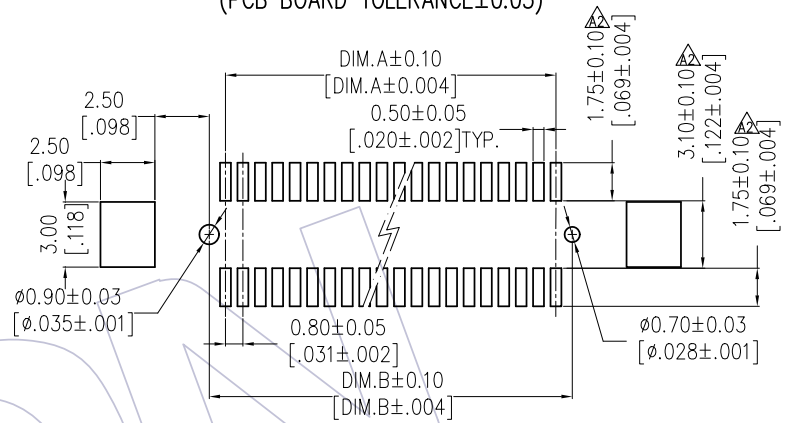
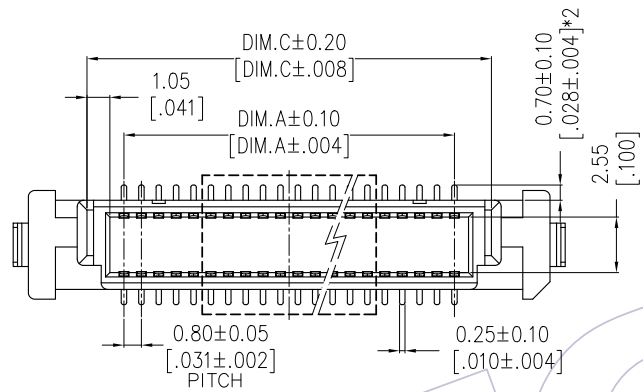


HSF

NOTES:
 Current Rating: 0.5A AMP
 Voltage Rating: 200V AC/300V DC
 Contact Resistance: 70milliohm Max
 Withstand Voltage: 500V AC/DC
 Insulation Resistance: 100Megohm Min
 Operation Temperature: -40°C to +85°C

Housing Material: LCP(UL94V-0)
 Contact Material: Phosphor Bronze
 Hold Down Material: Brass
 Contact plating: Au over Ni Plating

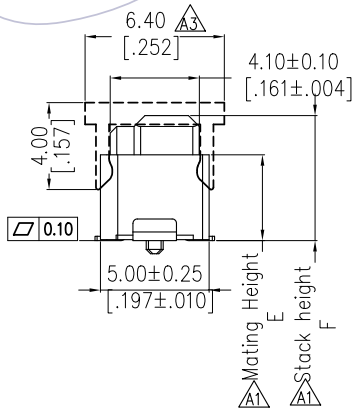
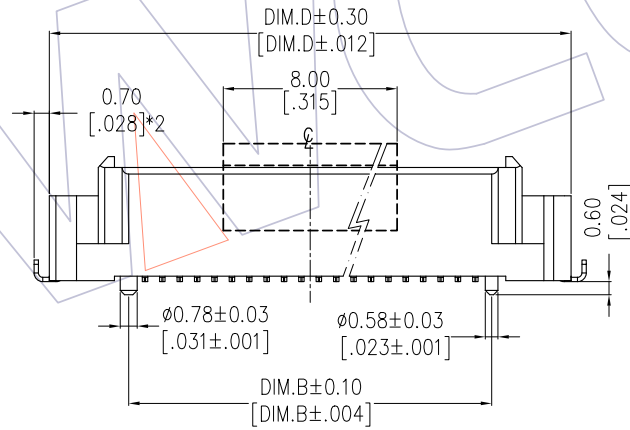
Recommended P.C.B Layout(Top Side)
 (PCB BOARD TOLERANCE±0.05)



Ordering Information

3615-P XXX - XXX XX X 01

No.of Pins Housing High Contact Plating T=Tube
 G1=3u"Gold P=Tube+CAP
 G2=5u"Gold R=Tape&Reel+CAP
 S1=3u"Gold/Tin
 S2=5u"Gold/Tin



PART NO	E	F
3615-PXXX-047XXX01	3.00	4.75
3615-PXXX-057XXX01	4.00	5.75
3615-PXXX-077XXX01	6.00	7.75

NO.OF CONTACT	DIM.A	DIM.B	DIM.C	DIM.D
20	7.2	8.7	10.6	16
30	11.2	12.7	14.6	20
40	15.2	16.7	18.6	24
50	19.2	20.7	22.6	28
60	23.2	24.7	26.6	32
70	27.2	28.7	30.6	36
80	31.2	32.7	34.6	40
100	39.2	40.7	42.6	48
120	47.2	48.7	50.6	56
140	55.2	56.7	58.6	64

REV	DATE	MODIFICATION DESCRIPTION	CHANGE	OPERATION	DRAW	DATE	SCALE	FIT	PART NO.
A3	2019/11/11	MODIFY THE CAP	---	OPERATION	DRAW	2019/11/11	SCALE	FIT	3615-PXXX-XXXXXX01
A2	2013/01/10	MODIFY THE PCB	---	x.x ±0.40	XSR	DATE	UNIT	mm	TITLE: 0.80mm B TO B "E" MALE SMT TYPE
A1	2012/07/24	MODIFY	---	x.xx ±0.25	CHECK	DATE	SIZE	inch	
A0	2012/01/31	NEW	---	x.xxx ±0.15	APPROVE	DATE	SHEET	1/1	
				Angle ± 3'			PROJ.	Customer NO.	
				DIM TOL					

WCON
 Http: www.wcon.com

WCON-Dongguan WCON-Kunshan
 Tel: +86 769 85358920 Tel: +86 512 57468408
 Fax: +86 769 85358915 Fax: +86 512 57468468
 E-mail: sales@wcon.com E-mail: salesks@wcon.com

X-ON Electronics

Largest Supplier of Electrical and Electronic Components

Click to view similar products for [Board to Board & Mezzanine Connectors](#) category:

Click to view products by [Wcon](#) manufacturer:

Other Similar products are found below :

[589158040000018](#) [MDF7C-18P-2.54DSA\(55\)](#) [FCN-268F036-G/BD](#) [FCN-268M012-G/0D](#) [FCN-268M024-G/1D](#) [FCN-723J004/1](#) [MIS-048-01-F-D-DP-K](#) [832-10-034-10-001000](#) [FX4C-80S-1.27DSA](#) [93696-330](#) [224393](#) [FCN-235D050-G/C](#) [210-93-314-41-105000](#) [2-22603-0](#) [MDF7-40DP-2.54DSA\(55\)](#) [5031084030](#) [MIT-114-03-F-D-K](#) [55323-1519](#) [45970-4130](#) [YFT-20-05-H-03-SB-K](#) [503308-3040](#) [026-6203-PDB](#) [027-6203-PDB](#) [069159702701000](#) [101A10019X](#) [105061100000861+](#) [55650-0588-C](#) [75140-7012](#) [87471-650](#) [YTW-30-07-H-Q-410-140](#) [YTT-112-01-H-Q](#) [063209](#) [0717420006](#) [FCN-268F024-G0D](#) [10124054-515LF](#) [68685-603](#) [8-1616154-3](#) [MIS-019-01-F-D](#) [YTQ-11201HQ](#) [IL-WX-10PB-HF-B-E1000E](#) [YFT-50-05-H-10-SB-K](#) [FCN-268M024-G/3D](#) [MDF7-16DP-2.54DSA\(55\)](#) [AXE810124](#) [FCN-214J100-G/0](#) [FCN-230C068-E/S](#) [AXE812124](#) [74220-001](#) [354184](#) [P50-028-DDS-TG](#)