

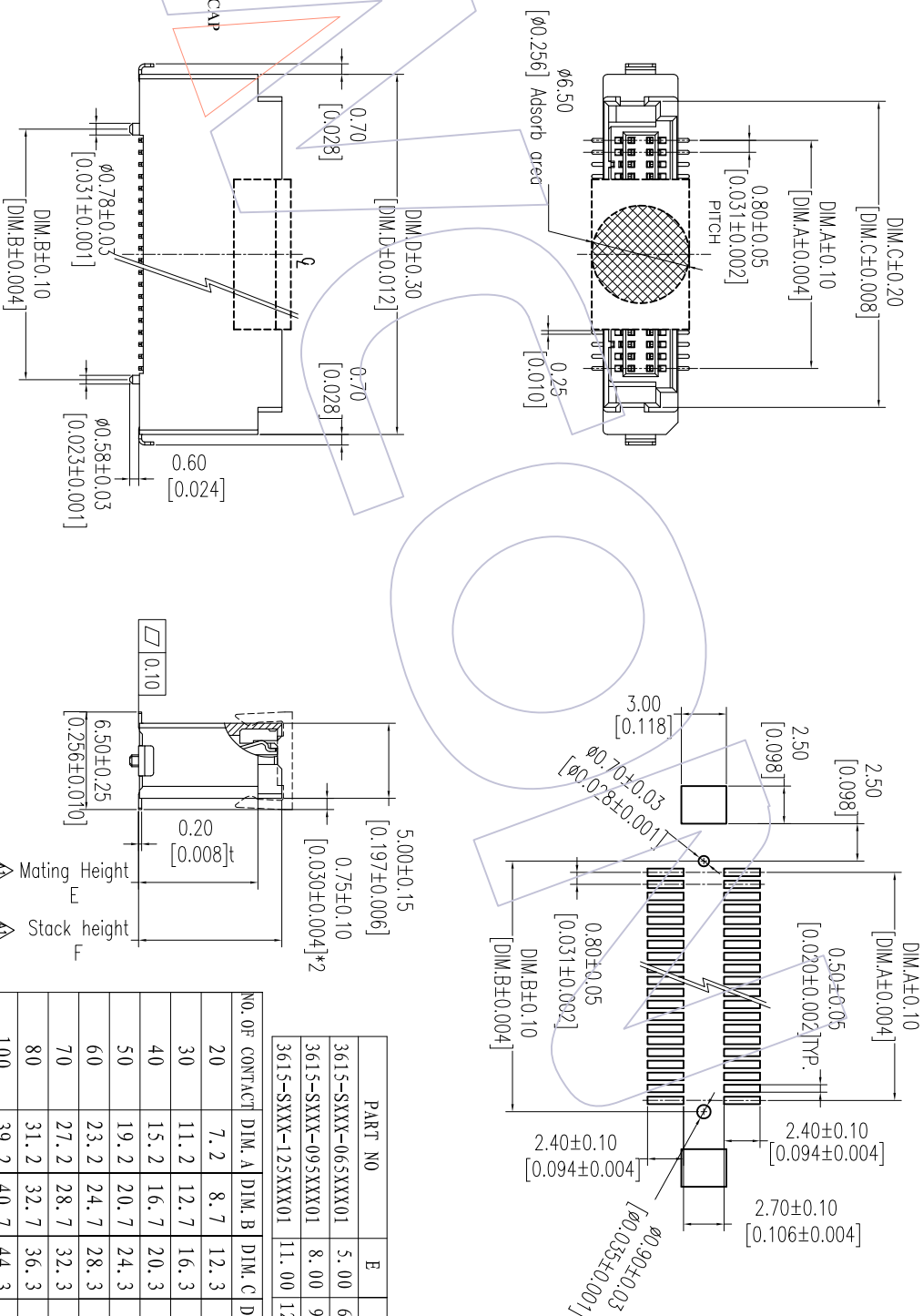
NOTES:

Current Rating: 0.5A AMP
Voltage Rating: 200V AC/300V DC
Contact Resistance: 70millohm Max
Withstand Voltage: 500V AC/DC
Insulation Resistance: 100Megohm Min
Operation Temperature: -40°C to +85°C
Housing Material: LCP (UL94V-0)
Contact Material: Copper alloy
Hold Down Material: Copper alloy
Contact plating: Au over Ni Plating

Ordering Information

3615-S XXX - XXX XX X 01

No. of Pins Housing High Contact Plating
 G1=3u"Gold
 G2=5u"Gold
 S1=3u"Gold/Tin
 S2=5u"Gold/Tin
 T=Tube
 P=Tube+CAP
 R=Tape&Reel+CAP



PART NO	E	F
3615-SXXX-065XXX01	5.00	6.55
3615-SXXX-095XXX01	8.00	9.55
3615-SXXX-125XXX01	11.00	12.55

NO. OF CONTACT	DIM. A	DIM. B	DIM. C	DIM. D
20	7.2	8.7	12.3	16
30	11.2	12.7	16.3	20
40	15.2	16.7	20.3	24
50	19.2	20.7	24.3	28
60	23.2	24.7	28.3	32
70	27.2	28.7	32.3	36
80	31.2	32.7	36.3	40
100	39.2	40.7	44.3	48
120	47.2	48.7	52.3	56
140	55.2	56.7	60.3	64

REV	DATE	MODIFICATION DESCRIPTION	CHANGE	OPERATION	DRAW	DATE	SCALE	FIT	PART NO.	TITLE:	WCON-Dongguan	WCON-Kunshan
A1	2012/07/24	MODIFY		XX	TsingSn	2012/07/24	mm	A4	See Table	0.80mm B TO B	Tel: +86 769 8535920	Tel: +86 512 57469408
A0	2012/01/03	NEW		XXX	CHECK		mm	1/1	"E" FEMALE SMT TYPE	"E" FEMALE SMT TYPE	Fax: +86 769 85358915	Fax: +86 512 57469488
REV	DATE	MODIFICATION DESCRIPTION	CHANGE	Angle	APPROVE	DATE	PROJ.		Customer NO.		E-mail: sales@wcon.com	E-mail: sales@wcon.com



Http: www.wcon.com

WCON-Dongguan
Tel: +86 769 8535920
Fax: +86 769 85358915
E-mail: sales@wcon.com

WCON-Kunshan
Tel: +86 512 57469408
Fax: +86 512 57469488
E-mail: sales@wcon.com

X-ON Electronics

Largest Supplier of Electrical and Electronic Components

Click to view similar products for [Board to Board & Mezzanine Connectors](#) category:

Click to view products by [Wcon](#) manufacturer:

Other Similar products are found below :

[589158040000018](#) [MDF7C-18P-2.54DSA\(55\)](#) [FCN-268F036-G/BD](#) [FCN-268M012-G/0D](#) [FCN-268M024-G/1D](#) [FCN-723J004/1](#) [MIS-048-01-F-D-DP-K](#) [832-10-034-10-001000](#) [FX4C-80S-1.27DSA](#) [93696-330](#) [224393](#) [FCN-235D050-G/C](#) [210-93-314-41-105000](#) [2-22603-0](#) [MDF7-40DP-2.54DSA\(55\)](#) [5031084030](#) [MIT-114-03-F-D-K](#) [55323-1519](#) [45970-4130](#) [YFT-20-05-H-03-SB-K](#) [503308-3040](#) [026-6203-PDB](#) [027-6203-PDB](#) [069159702701000](#) [101A10019X](#) [105061100000861+](#) [55650-0588-C](#) [75140-7012](#) [87471-650](#) [YTW-30-07-H-Q-410-140](#) [YTT-112-01-H-Q](#) [063209](#) [0717420006](#) [FCN-268F024-G0D](#) [10124054-515LF](#) [68685-603](#) [8-1616154-3](#) [MIS-019-01-F-D](#) [YTQ-11201HQ](#) [IL-WX-10PB-HF-B-E1000E](#) [YFT-50-05-H-10-SB-K](#) [FCN-268M024-G/3D](#) [MDF7-16DP-2.54DSA\(55\)](#) [AXE810124](#) [FCN-214J100-G/0](#) [FCN-230C068-E/S](#) [AXE812124](#) [74220-001](#) [354184](#) [P50-028-DDS-TG](#)