

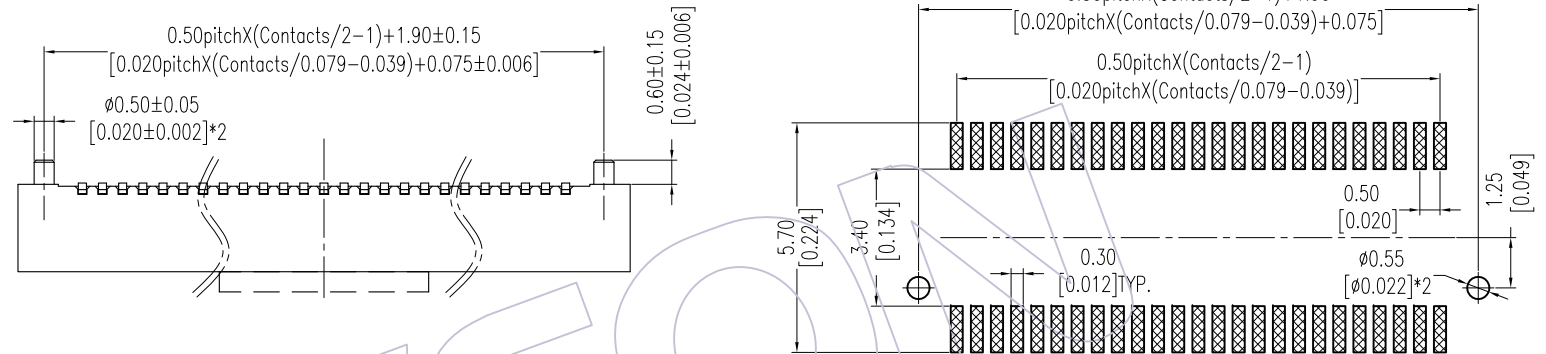
HSF

NOTES:

Current Rating:0.5A
 Voltage Rating:50V AC/DC
 Contact Resistance:50milliohm Max
 Insulation Resistance:100Megohm Min
 Operation Temperature:-20°Cto+105°C

Housing Material:PA9T+30%G.F(UL94V-0)
 Contact Material:Phosphor Bronze
 Contact plating:Au or Sn over Ni

Recommended P. C. B Layout (Top Side)
 (PCB BOARD TOLERANCE ±0.05)



Ordering Information

3620-S XXX - XXX XX R 01

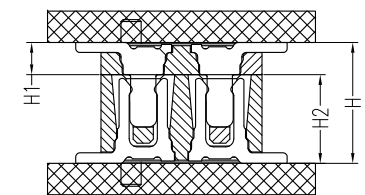
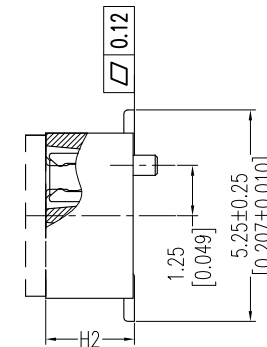
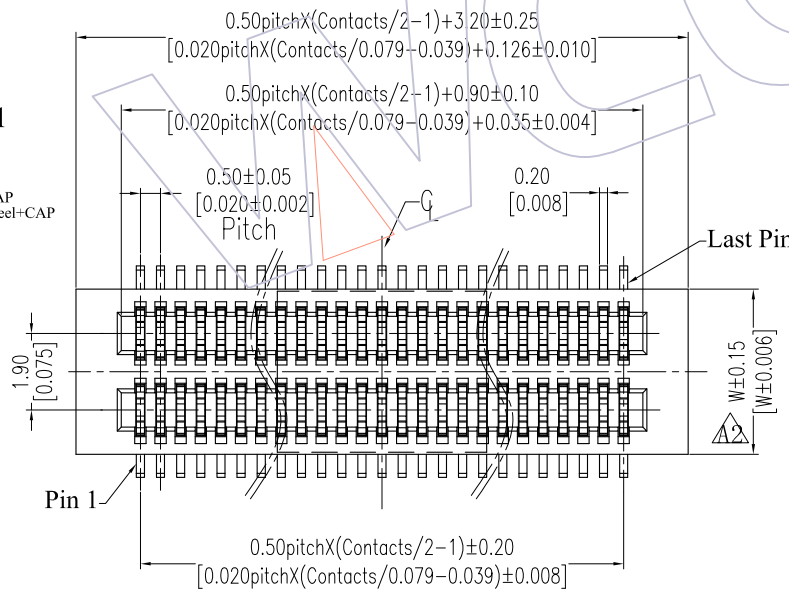
No.of Pins
 10-100Pin
 Std Pin
 10P 60P
 20P 70P
 30P 80P
 40P 90P
 50P 100P

Housing High
 022=2.20
 030=3.00
 040=4.00
 045=4.50

Contact Plating
 G1=3u"Gold
 G2=5u"Gold

T=Tube
 P=Tube+CAP
 R=Tape&Reel+CAP

ASS'Y HIGH(H)	PLUG(H1)	SOCKET(H2)	SOCKET(W)
3.00	0.80	2.20	4.40
4.00	1.00	3.00	4.10
4.50	1.50	3.00	
5.00	2.00	3.00	
5.50	1.50	4.00	
6.00	2.00	4.00	
6.50	2.00	4.50	



Assembly

REV	DATE	MODIFICATION DESCRIPTION	CHANGE	OPERATION	DRAW	DATE	SCALE	FIT	PART NO.
A4	2017/06/26	Modify	△△	OPERATION	Ding	2017/06/26	SCALE	FIT	3620-SXXX-XXXXXR01
A3	2016/10/26	取消H=2.7高度规格, 单独发行图面	△3	X.X ±0.40	CHECK	DATE	UNIT	mm	TITLE: 0.50mm B TO B FEMALE 180° SMT TYPE
A2	2015/02/09	Modify	△△	X.XX ±0.25	APPROVE	DATE	SIZE	A4	
A0	2012/06/27	NEW	—	X.XXX ±0.15			SHEET	1/1	Customer NO.
				Angle ± 3'			PROJ.		
				DIM TOL					

WCON
 Http: www.wcon.com

WCON-Dongguan Tel: +86 769 85358920
 WCON-Kunshan Tel: +86 512 57468408
 Fax: +86 769 85358915
 Fax: +86 512 57468468
 E-mail: sales@wcon.com
 E-mail: sales@wcon.com

X-ON Electronics

Largest Supplier of Electrical and Electronic Components

Click to view similar products for [Board to Board & Mezzanine Connectors](#) category:

Click to view products by [Wcon](#) manufacturer:

Other Similar products are found below :

[589158040000018](#) [MDF7C-18P-2.54DSA\(55\)](#) [FCN-268F036-G/BD](#) [FCN-268M012-G/0D](#) [FCN-268M024-G/1D](#) [FCN-723J004/1](#) [MIS-048-01-F-D-DP-K](#) [832-10-034-10-001000](#) [FX4C-80S-1.27DSA](#) [93696-330](#) [224393](#) [FCN-235D050-G/C](#) [210-93-314-41-105000](#) [2-22603-0](#) [MDF7-40DP-2.54DSA\(55\)](#) [5031084030](#) [MIT-114-03-F-D-K](#) [55323-1519](#) [45970-4130](#) [YFT-20-05-H-03-SB-K](#) [503308-3040](#) [026-6203-PDB](#) [027-6203-PDB](#) [069159702701000](#) [101A10019X](#) [105061100000861+](#) [55650-0588-C](#) [75140-7012](#) [87471-650](#) [YTW-30-07-H-Q-410-140](#) [YTT-112-01-H-Q](#) [063209](#) [0717420006](#) [FCN-268F024-G0D](#) [10124054-515LF](#) [68685-603](#) [8-1616154-3](#) [MIS-019-01-F-D](#) [YTQ-11201HQ](#) [IL-WX-10PB-HF-B-E1000E](#) [YFT-50-05-H-10-SB-K](#) [FCN-268M024-G/3D](#) [MDF7-16DP-2.54DSA\(55\)](#) [AXE810124](#) [FCN-214J100-G/0](#) [FCN-230C068-E/S](#) [AXE812124](#) [74220-001](#) [354184](#) [P50-028-DDS-TG](#)