

# HSF

NOTES:  
 Current Rating: 0.5AMP  
 Voltage Rating: 50V AC/DC  
 Contact Resistance: 30mΩ max  
 Withstand Voltage: 100V AC for 1minute  
 Insulation Resistance: 500MΩ min  
 Operation Temperature: -25°C to +105°C

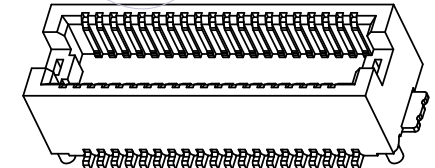
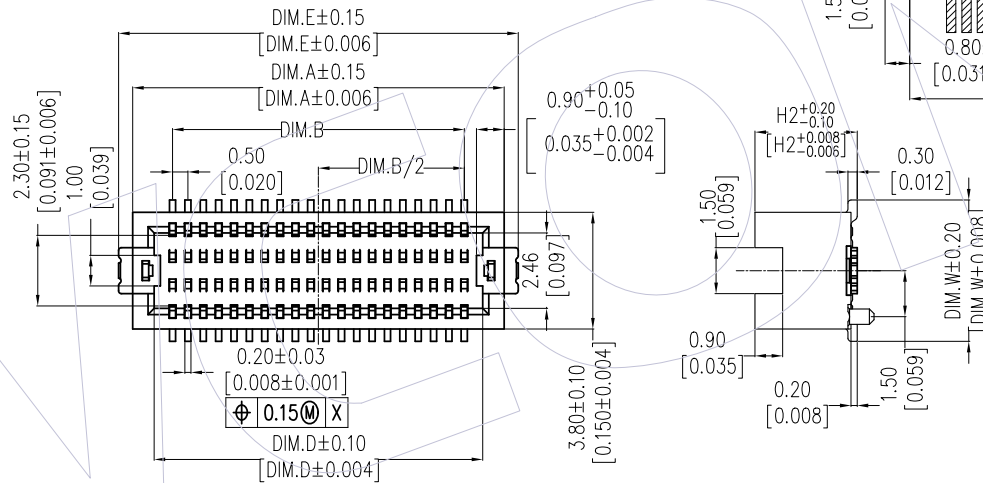
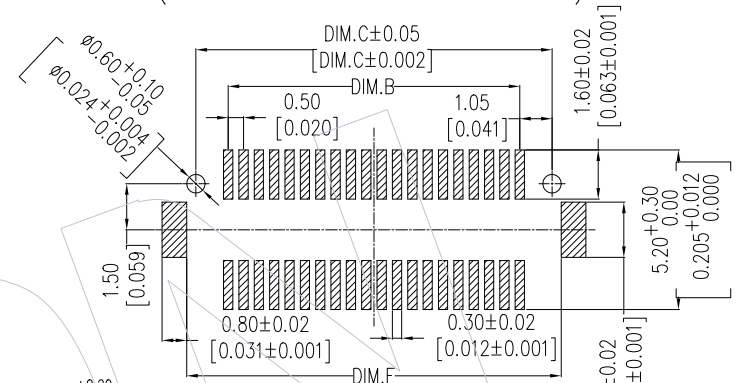
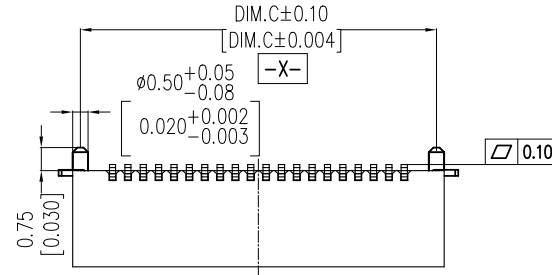
Housing Material: PA9T(UL94V-0),NATURAL  
 Contact Material: Copper alloy  
 Fixing Material: Copper alloy  
 Contact plating: Au over Ni  
 Fixing plating: Sn over Ni

## Ordering Information

3622-P XXX - XXX XX X 02

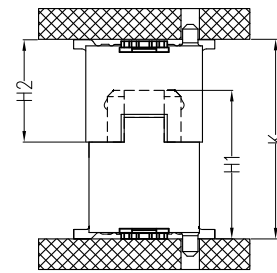
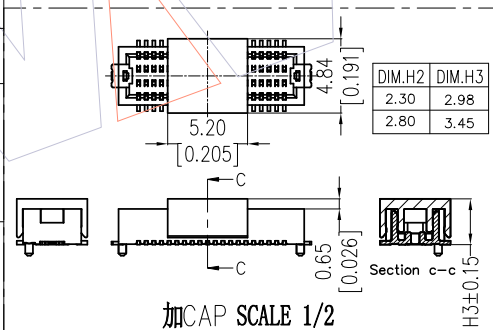
No. of Pins	Housing High	Contact Plating	T=Tube
14P	36P	023=2.30	P=Tube+CAP
20P	40P	028=2.80	R=Tape&Reel+CAP
24P	50P	033=3.30	
30P	60P	038=3.80	
32P		043=4.30	
		048=4.80	
		G1=3u"Gold	
		G3=10u"Gold	
		G4=15u"Gold	
		G5=30u"Gold	
		H5=30u"Gold(Contact area,3u"Gold other area)	

Recommended P.C.B Layout (Top Side)  
 (PCB BOARD TOLERANCE ±0.05)



	CAP	PART NO.	DIM.H2	DIM.W
WITH		3622-PXXX-023XXX02	2.33	4.60
		3622-PXXX-028XXX02	2.80	
W/O		3622-PXXX-033XXX02	3.33	
		3622-PXXX-038XXX02	3.83	
		3622-PXXX-043XXX02	4.33	
		3622-PXXX-048XXX02	4.83	

ASS'Y HEIGHT(K)	PLUG(H2)	SOCKET(H1)
3.00	2.33	2.20
3.50	2.80	
4.00	2.80	
4.50	3.33	2.73
5.00	3.83	
5.50	4.33	
6.00	4.83	
6.50	3.33	
7.00	3.83	
7.50	4.33	4.70
8.00	4.83	



PIN NO.	DIM.A	DIM.B	DIM.C	DIM.D	DIM.E	DIM.F
14	5.60	3.00	5.10	4.20	6.50	5.70
20	7.10	4.50	6.60	5.70	8.00	7.20
24	8.10	5.50	7.60	6.70	9.00	8.20
30	9.60	7.00	9.10	8.20	10.50	9.70
32	10.10	7.50	9.60	8.70	11.00	10.20
36	11.10	8.50	10.60	9.70	12.00	11.20
40	12.10	9.50	11.60	10.70	13.00	12.20
50	14.60	12.00	14.10	13.20	15.50	14.70
60	17.10	14.50	16.60	15.70	18.00	17.20

REV	DATE	MODIFICATION DESCRIPTION	CHANGE	OPERATION	DRAW	DATE	SCALE	Fit	PART NO.	 Http: www.wcon.com WCON-Dongguan Tel: +86 769 85358920 Fax: +86 769 85358915 E-mail: sales@wcon.com WCON-Kunshan Tel: +86 512 57468408 Fax: +86 512 57468468 E-mail: salesks@wcon.com
				x.X ±0.40	Ding	2018/03/09	UNIT	mm	3622-PXXX-XXXXXX02	
				x.XX ±0.25	CHECK	DATE	SIZE	A4	TITLE:	
AO	2018/03/09	NEW	-----	x.XXX ±0.15	APPROVE	DATE	SHEET	1/1	0.50pitch BTB MALE SMT TYPE W/ LATCH	
				Angle ± 3'			PROJ.	Customer NO.		
				DIM TOL						

## X-ON Electronics

Largest Supplier of Electrical and Electronic Components

*Click to view similar products for [Board to Board & Mezzanine Connectors](#) category:*

*Click to view products by [Wcon](#) manufacturer:*

Other Similar products are found below :

[10135583-642402LF](#) [89885-310LF](#) [589158040000018](#) [6-1393048-0](#) [68683-613](#) [MDF7-12DP-2.54DSA](#) [MDF7-18P-2.54DSA\(01\)](#) [MDF7-20DP-2.54DSA](#) [MDF7-26D-2.54DSA\(55\)](#) [MDF7-3P-2.54DSA\(01\)](#) [MDF7B-20P-2.54DSA\(01\)](#) [MDF7B-3P-2.54DSA\(55\)](#) [MDF7C-11P-2.54DSA\(55\)](#) [MDF7C-18P-2.54DSA\(55\)](#) [MDF7C-5P-2.54DSA\(01\)](#) [MDF7P-5P-2.54DSA\(55\)](#) [75234-0516](#) [FCN-230C068-11](#) [FCN-268F012-G/BD](#) [FCN-268F036-G/BD](#) [FCN-268M012-G/0D](#) [FCN-268M024-G/1D](#) [FCN-360C008-C](#) [FCN-360C040-C](#) [FCN-723J004/1](#) [MIS-048-01-F-D-DP-K](#) [832-10-034-10-001000](#) [93696-325LF](#) [11828-1FA](#) [AXK630345P](#) [18097-0013](#) [ICA-328STT](#) [2007042-2](#) [304400-2](#) [FCN-214Q030-G/0](#) [FCN-215Q040-G/0](#) [FCN-230C068-ESA](#) [FCN-234P048-G/0](#) [FCN-235D050-G/C](#) [FCN-360A3](#) [FCN-360C040-B](#) [210-93-314-41-105000](#) [2-22603-0](#) [379-064-521-202](#) [MDF7-12P-2.54DSA\(01\)](#) [MDF7-16P-2.54DS\(56\)](#) [MDF7-40DP-2.54DSA\(55\)](#) [MDF7-8P-2.54DSA\(55\)](#) [MDF7B-16P-2.54DSA\(55\)](#) [AXG720047](#)