

NOTES:

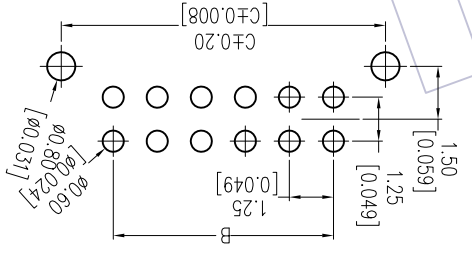
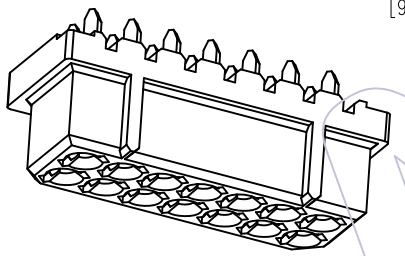
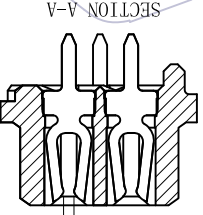
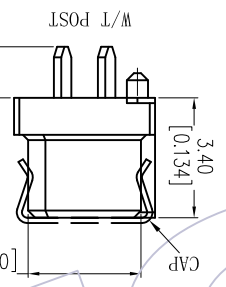
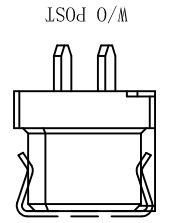
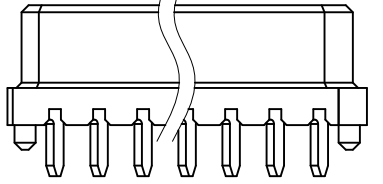
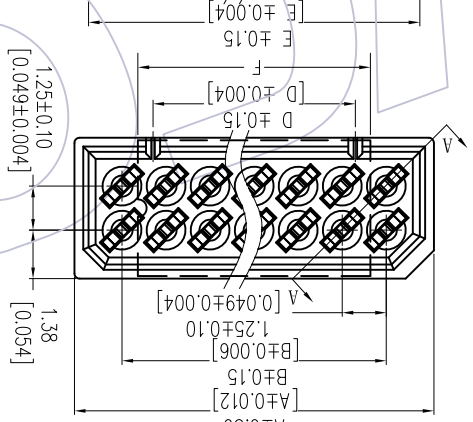
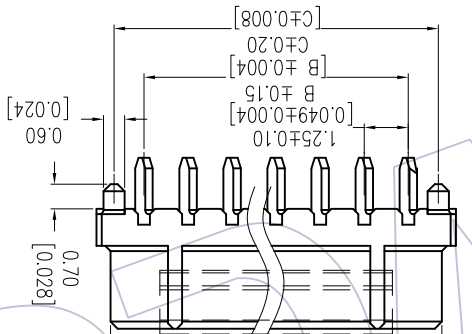
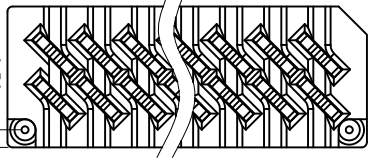
Voltage Rating: 50V AC/DC
 Current Rating: 0.5AMP
 Contact Resistance: 20mΩ max
 Withstand Voltage: 500V AC/Minute
 Insulation Resistance: 500MΩ min
 Operation Temperature: -40°C to +105°C

Contact Material: Phosphor Bronze
 Contact Plating: Sn OR Au OVER Nickel
 Insulator Material: PA9T+33%GF UL94V-0 BLACK

Ordering Information
 3651-S XXX -034 XX R0X

No. of Pins	Plating	Packing
006: 06 Pin	G0=Gold Flash	R=Tape&Reel
010: 10 Pin	G3=10u"Gold	
012: 12 Pin	G4=15u"Gold	
014: 14 Pin	G5=30u"Gold	
016: 16 Pin	G5=30u"Gold	
018: 18 Pin	S0=Gold Flash/Tin	
020: 20 Pin	S3=10u"Gold/Tin	
022: 22 Pin	S4=15u"Gold/Tin	
024: 24 Pin	S5=30u"Gold/Tin	
SN=Tin		

Pos	Part No.	DIM F
12-16PIN	CAP2300-M204	3.40
18-24PIN	CAP2300-M202	6.60



Recommended P.C.B Layout (Top Side)
 (PCB BOARD TOLERANCE±0.05)

REV	DATE	MODIFICATION DESCRIPTION	CHANGE	DIM TOL	APPROVE	DATE	SCALE	OPERATION
A0	2016.10.20	NEW	---	Angle ± 3°				
A1	2017.07.11	DIP: 1.30±0.25 → 1.45±0.25	---	X.XXX ±0.15				
			---	X.XX ±0.25				
				X.X ±0.40				
					DRAW	DATE	FIT	
					Diag	2017.07.11	SCALE	
					CHECK	DATE	UNIT	
					APPROVE	DATE	mm	
					SHEET	1/1		
					PROJ.			

PART NO.	TITLE:	Customer NO.
3651-SXXX-034XXR0X	3651-SXXX-034XXR0X	1.25mm RTB FEMALE 180° DIP, H=3.4

W/O POST	W/T POST
3651-SXXX-034XXR03	3651-SXXX-034XXR04

Pos.	A	B	C	D	E
6	5.20	2.50	4.20	0.74	4.40
10	7.70	5.00	6.70	3.24	6.90
12	8.95	6.25	7.95	4.49	8.15
14	10.20	7.50	9.20	5.74	9.40
16	11.45	8.75	10.45	6.99	10.65
18	12.70	10.00	11.70	8.24	11.90
20	13.95	11.25	12.95	9.49	13.15
22	15.20	12.50	14.20	10.74	14.40
24	16.45	13.75	15.45	11.99	15.65

W/O POST	W/T POST
3651-SXXX-034XXR03	3651-SXXX-034XXR04

WCON
 Http://www.wcon.com
 WCON-Kunshan
 WCON-Dongguan
 Tel: +86 769 85358920
 Fax: +86 769 85358915
 E-mail: sales@wcon.com

Customer NO.
 1.25mm RTB FEMALE 180° DIP, H=3.4
 Tel: +86 769 85358920
 Fax: +86 512 57468408
 E-mail: sales@wcon.com

X-ON Electronics

Largest Supplier of Electrical and Electronic Components

Click to view similar products for [Headers & Wire Housings](#) category:

Click to view products by [Wcon](#) manufacturer:

Other Similar products are found below :

[95000-104TRLF](#) [10135584-644402LF](#) [DF62W-EP2022PCA](#) [95000-106TRLF](#) [DF62W-2022SCA](#) [DF62W-EP2022PC](#) [2203348](#) [DF62W-2022SC](#) [1084018](#) [1029039](#) [1084017](#) [802-10-012-10-002000](#) [1112640](#) [1112639](#) [891-007-9SS-BST1T](#) [000-34000](#) [0008550134](#) [0009482033](#) [0009507031](#) [57102-F02-18ULF](#) [57102-S06-03LF](#) [57202-S52-04LF](#) [PCN6-15S-2.5E](#) [0039019024](#) [58102-G61-06LF](#) [582553-1](#) [0009485154](#) [0009508121](#) [0022285053](#) [0050291907](#) [018731A](#) [LY20-4P-DT1-P1E-BR](#) [02.125.8002.8](#) [60101931](#) [60598-1 \(Cut Strip\)](#) [M1625-3R/100](#) [61062-3](#) [61082-181009](#) [CSU011177004](#) [636-1427](#) [638009-1](#) [641938-9](#) [641991-4](#) [644168-1](#) [644827-2](#) [647662-1](#) [65039-019ELF](#) [65692-001LF](#) [65781-018](#) [65781-047](#)