

# HSF

**NOTES:**

- 1.Electrical Performance:
  - 1-1.Current Rating:0.5 A at AC 100V.
  - 1-2.Withstand Voltage:250V AC.
  - 1-3.Contact Resistance:See Table.  $\Delta 3$
  - 1-4.Insulation Resistance:1000M $\Omega$  Min.
  - 1-5.Operation Temperature:-55°Cto+85°C
- 2.Material:
  - 2-1.Housing:LCP;Black/Natural;UL94V-0  $\Delta 3$
  - 2-2.Contact:Phosphor Bronze,T=0.20mm.
  - 2-3.Fitting Nail:Brass,T=0.25mm.
  - 2-4.Metal Cap :Stainless Steel,T=0.20mm.
- 3.Finish:
  - 3-1.Contact:Gold Plating On Contact Area;  
Matte Tin Plating On Solder Tails,Over Ni.
  - 3-2.Fitting Nail:Sn Plating Over Ni Under Plating

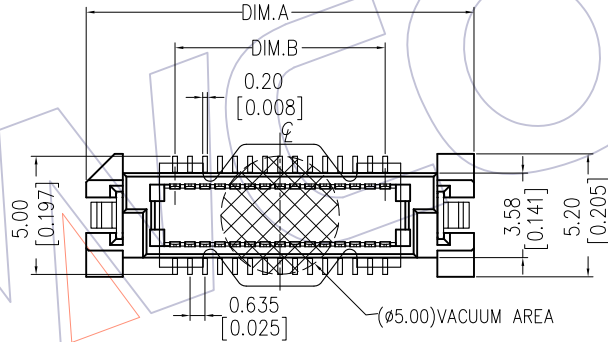
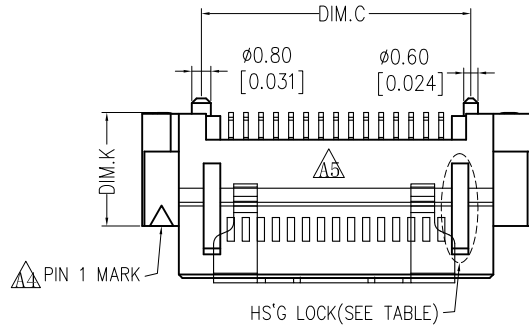
Flatness: <80Pins The "M" Is 0.12mm MAX  
 ≥80Pins The "M" Is 0.15mm MAX

## Ordering Information

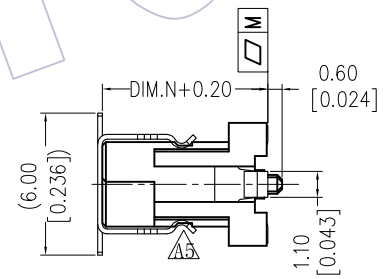
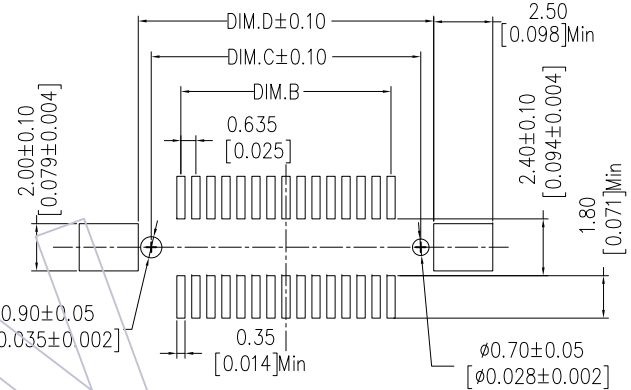
3660-PXXX - XXX XX R 01

No.of Pins    Housing High    Contact Plating    R=Tape&Reel+CAP

G1=3u"Gold  
 G2=5u"Gold  
 G3=10u"Gold  
 S1=3u"Gold/Tin  
 S2=5u"Gold/Tin  
 S3=10u"Gold/Tin



Recommended P.C.B Layout (Top Side)  
 (PCB BOARD TOLERANCE ±0.05)



ASS'Y HIGH(H)	$\Delta 3$	
	Before Test	After Test
6.0~7.0	≤40m $\Omega$	≤60m $\Omega$
8.0~10.0	≤50m $\Omega$	≤70m $\Omega$
11.0~13.0	≤60m $\Omega$	≤80m $\Omega$
14.0~16.0	≤70m $\Omega$	≤90m $\Omega$

PART NO.	DIM.N	DIM.K
3660-PXXX-050XXR01	5.00	2.80
3660-PXXX-060XXR01	6.00	3.80
3660-PXXX-070XXR01	7.00	4.80
3660-PXXX-080XXR01	8.00	5.80
3660-PXXX-090XXR01	9.00	6.80

ASS'Y HIGH(H)	PLUG(H1)	SOCKET(H2)
6.00	5.00	4.00
7.00	6.00	
8.00	7.00	
9.00	8.00	
10.00	9.00	10.00
12.00	5.00	
13.00	6.00	
14.00	7.00	
15.00	8.00	
16.00	9.00	

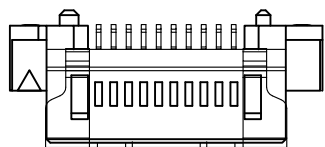
REV	DATE	MODIFICATION DESCRIPTION	CHANGE	OPERATION	DRAW	DATE	SCALE	FIT	PART NO.
A5	2017/07/21	Modify	$\Delta 3$	OPERATION	Ding	2017/07/21	UNIT	mm	3660-PXXX-XXXXXR01
A4	2014/05/07	Modify	$\Delta 4$	x.X ±0.40	CHECK	DATE	inch	TITLE:	
A3	2014/03/07	Modify The Contact Resistance	$\Delta 3$	x.XX ±0.25	APPROVE	DATE	SIZE	A4	0.635mm BTB "M" TYPE MALE 180° SMT $\Delta 3$
A0	2012/11/20	NEW	—	x.XXX ±0.15	APPROVE	DATE	SHEET	1/2	Customer NO.
				Angle ± 3°			PROJ.		
				DIM TOL					

**WCON**  
 Http: www.wcon.com

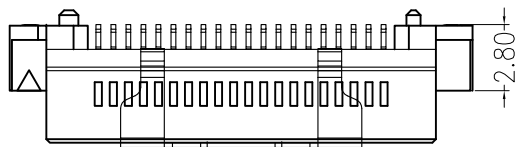
WCON-Dongguan    WCON-Kunshan  
 Tel: +86 769 85358920    Tel: +86 512 57468408  
 Fax: +86 769 85358915    Fax: +86 512 57468468  
 E-mail: sales@wcon.com    E-mail: salesks@wcon.com

**HSF**

G3660-PXXX-050DX01



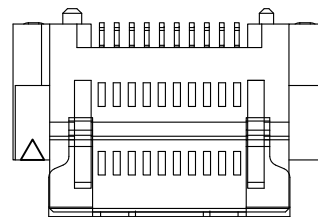
PIN数 < 80P



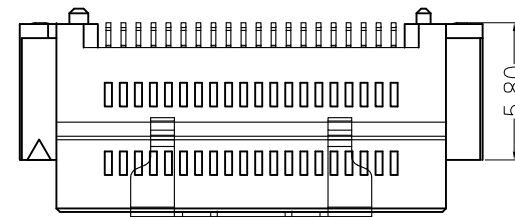
PIN数 ≥ 80P

±2.80

G3660-PXXX-080DX01



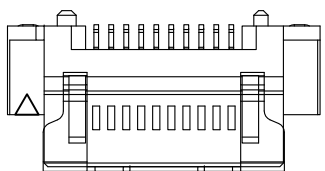
PIN数 < 80P



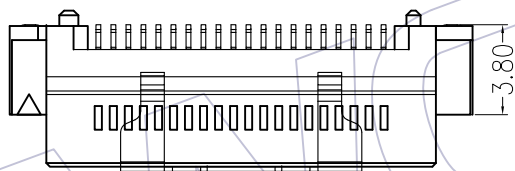
PIN数 ≥ 80P

±5.80

G3660-PXXX-060DX01



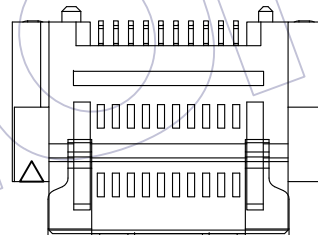
PIN数 < 80P



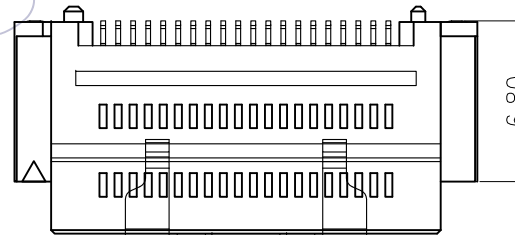
PIN数 ≥ 80P

±3.80

G3660-PXXX-090DX01



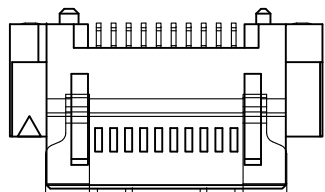
PIN数 < 80P



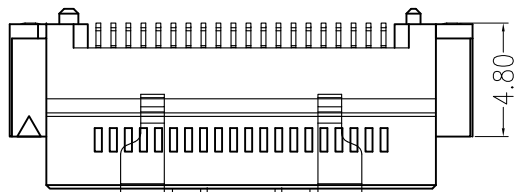
PIN数 ≥ 80P

±6.80

G3660-PXXX-070DX01

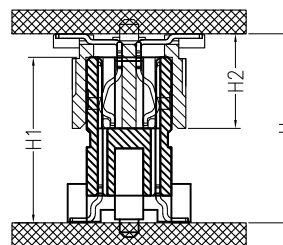


PIN数 < 80P



PIN数 ≥ 80P

±4.80



Assembly

	53.77	52.67	50.165	57.67	160
NO	47.42	46.32	43.815	51.32	140
	41.07	39.97	37.465	44.97	120
	34.72	33.62	31.115	38.62	100
	31.55	30.45	27.940	35.45	90
	28.37	27.27	24.765	32.27	80
YES	25.20	24.10	21.590	29.10	70
	22.02	20.92	18.415	25.92	60
	18.85	17.75	15.240	22.75	50
	15.67	14.57	12.065	19.57	40
	12.50	11.40	8.890	16.40	30
	9.32	8.22	5.715	13.22	20
HS'G LOCK	DIM.D	DIM.C	DIM.B	DIM.A	PIN NO

A5	2017/07/21	Modify	△	OPERATION		DRAW	DATE	SCALE	FIT	PART NO.	3660-PXXX-XXXXXR01	 Http: www.wcon.com WCON-Dongguan      WCON-Kunshan Tel: +86 769 85358920      Tel: +86 512 57468408 Fax: +86 769 85358915      Fax: +86 512 57468468 E-mail: sales@wcon.com      E-mail: salesks@wcon.com
A4	2014/05/07	Modify		x.X	±0.40							
A3	2014/03/07	Modify The Contact Resistance	△	x.XX	±0.25	CHECK	DATE	SIZE	A4	TITLE:	0.635mm BTB "M" TYPE MALE 180° SMT △	
A0	2012/11/20	NEW		x.XXX	±0.15			SHEET	2/2			
REV	DATE	MODIFICATION DESCRIPTION	CHANGE	Angle	± 3'	APPROVE	DATE	PROJ.	Customer NO.			

## X-ON Electronics

Largest Supplier of Electrical and Electronic Components

*Click to view similar products for [Board to Board & Mezzanine Connectors](#) category:*

*Click to view products by [Wcon](#) manufacturer:*

Other Similar products are found below :

[589158040000018](#) [MDF7C-18P-2.54DSA\(55\)](#) [FCN-268F036-G/BD](#) [FCN-268M012-G/0D](#) [FCN-268M024-G/1D](#) [FCN-723J004/1](#) [MIS-048-01-F-D-DP-K](#) [832-10-034-10-001000](#) [FX4C-80S-1.27DSA](#) [93696-330](#) [224393](#) [FCN-235D050-G/C](#) [210-93-314-41-105000](#) [2-22603-0](#) [MDF7-40DP-2.54DSA\(55\)](#) [5031084030](#) [MIT-114-03-F-D-K](#) [55323-1519](#) [45970-4130](#) [YFT-20-05-H-03-SB-K](#) [503308-3040](#) [026-6203-PDB](#) [027-6203-PDB](#) [069159702701000](#) [101A10019X](#) [105061100000861+](#) [55650-0588-C](#) [75140-7012](#) [87471-650](#) [YTW-30-07-H-Q-410-140](#) [YTT-112-01-H-Q](#) [063209](#) [0717420006](#) [FCN-268F024-G0D](#) [10124054-515LF](#) [68685-603](#) [8-1616154-3](#) [MIS-019-01-F-D](#) [YTQ-11201HQ](#) [IL-WX-10PB-HF-B-E1000E](#) [YFT-50-05-H-10-SB-K](#) [FCN-268M024-G/3D](#) [MDF7-16DP-2.54DSA\(55\)](#) [AXE810124](#) [FCN-214J100-G/0](#) [FCN-230C068-E/S](#) [AXE812124](#) [74220-001](#) [354184](#) [P50-028-DDS-TG](#)