

HSF

NOTES:

- 1.Electrical Performance:
 - 1-1.Current Rating:0.5 A at AC 100V.
 - 1-2.Withstand Voltage:250V AC.
 - 1-3.Contact Resistance:See Table. $\Delta 3$
 - 1-4.Insulation Resistance:1000M Ω Min.
 - 1-5.Operation Temperature:-55°Cto+85°C
- 2.Material:
 - 2-1.Housing:LCP;Black/Natural;UL94V-0 $\Delta 3$
 - 2-2.Contact:Phosphor Bronze,T=0.20mm.
 - 2-3.Fitting Nail:Brass,T=0.25mm.
 - 2-4.Metal Cap :Stainless Steel,T=0.20mm.
- 3.Finish:
 - 3-1.Contact:Gold Plating On Contact Area;
Matte Tin Plating On Solder Tails,Over Ni.
 - 3-2.Fitting Nail:Sn Plating Over Ni Under Plating

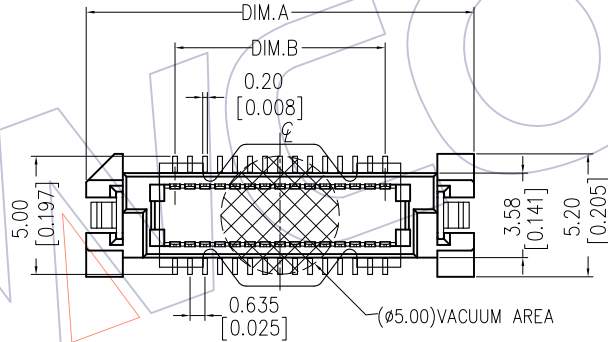
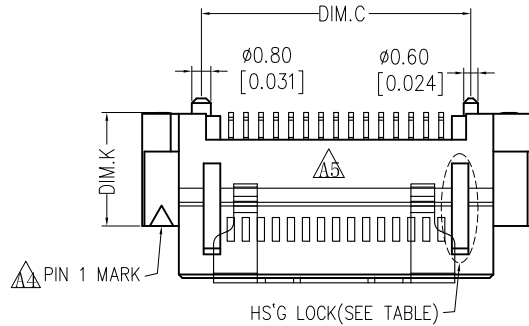
Flatness: <80Pins The "M" Is 0.12mm MAX
 ≥80Pins The "M" Is 0.15mm MAX

Ordering Information

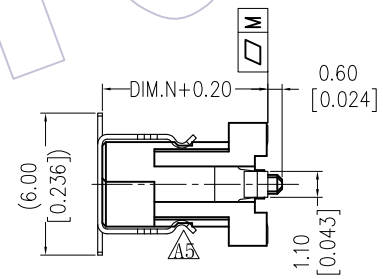
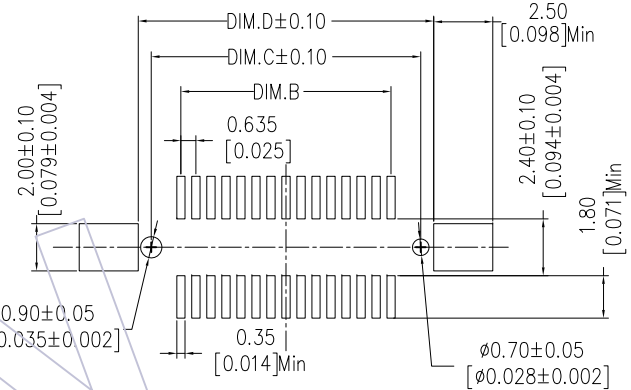
3660-PXXX - XXX XX R 01

No.of Pins Housing High Contact Plating R=Tape&Reel+CAP

G1=3u"Gold
 G2=5u"Gold
 G3=10u"Gold
 S1=3u"Gold/Tin
 S2=5u"Gold/Tin
 S3=10u"Gold/Tin



Recommended P.C.B Layout (Top Side)
 (PCB BOARD TOLERANCE ±0.05)



ASS'Y HIGH(H)	$\Delta 3$	
	Before Test	After Test
6.0~7.0	≤40m Ω	≤60m Ω
8.0~10.0	≤50m Ω	≤70m Ω
11.0~13.0	≤60m Ω	≤80m Ω
14.0~16.0	≤70m Ω	≤90m Ω

PART NO.	DIM.N	DIM.K
3660-PXXX-050XXR01	5.00	2.80
3660-PXXX-060XXR01	6.00	3.80
3660-PXXX-070XXR01	7.00	4.80
3660-PXXX-080XXR01	8.00	5.80
3660-PXXX-090XXR01	9.00	6.80

ASS'Y HIGH(H)	PLUG(H1)	SOCKET(H2)
6.00	5.00	4.00
7.00	6.00	
8.00	7.00	
9.00	8.00	
10.00	9.00	10.00
12.00	5.00	
13.00	6.00	
14.00	7.00	
15.00	8.00	
16.00	9.00	

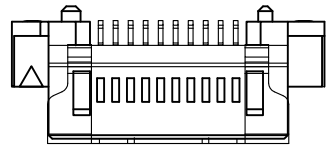
REV	DATE	MODIFICATION DESCRIPTION	CHANGE	OPERATION	DRAW	DATE	SCALE	FIT	PART NO.
A5	2017/07/21	Modify	$\Delta 3$	OPERATION	Ding	2017/07/21	UNIT	mm	3660-PXXX-XXXXXR01
A4	2014/05/07	Modify	$\Delta 4$	x.X ±0.40	CHECK	DATE	inch		
A3	2014/03/07	Modify The Contact Resistance	$\Delta 3$	x.XX ±0.25	APPROVE	DATE	SIZE	A4	TITLE:
A0	2012/11/20	NEW		x.XXX ±0.15			SHEET	1/2	0.635mm BTB "M" TYPE MALE 180° SMT $\Delta 3$
				Angle ± 3°			PROJ.		Customer NO.
				DIM TOL					

WCON
 Http: www.wcon.com

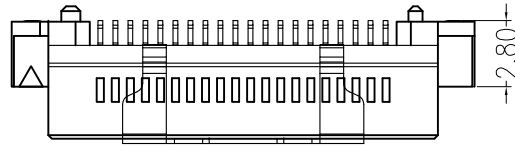
WCON-Dongguan WCON-Kunshan
 Tel: +86 769 85358920 Tel: +86 512 57468408
 Fax: +86 769 85358915 Fax: +86 512 57468468
 E-mail: sales@wcon.com E-mail: salesks@wcon.com

HSF

G3660-PXXX-050DX01



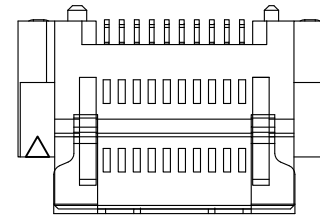
PIN数 < 80P



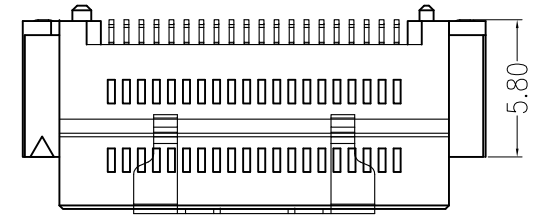
PIN数 ≥ 80P

±2.80

G3660-PXXX-080DX01



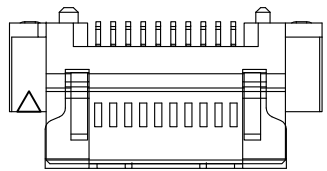
PIN数 < 80P



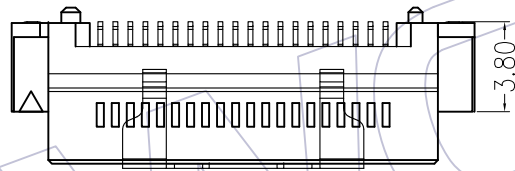
PIN数 ≥ 80P

±5.80

G3660-PXXX-060DX01



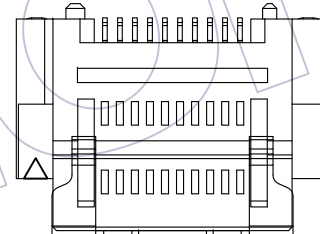
PIN数 < 80P



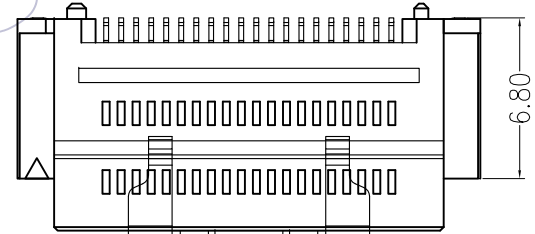
PIN数 ≥ 80P

±3.80

G3660-PXXX-090DX01



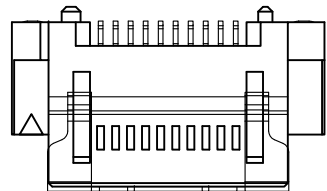
PIN数 < 80P



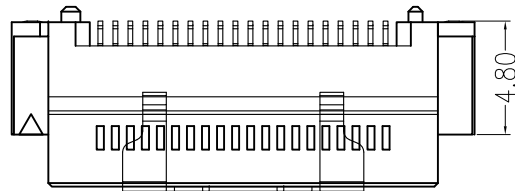
PIN数 ≥ 80P

±6.80

G3660-PXXX-070DX01

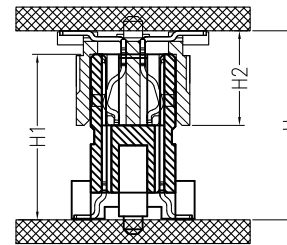


PIN数 < 80P



PIN数 ≥ 80P

±4.80



Assembly

NO	53.77	52.67	50.165	57.67	160
	47.42	46.32	43.815	51.32	140
41.07	39.97	37.465	44.97	120	
34.72	33.62	31.115	38.62	100	
31.55	30.45	27.940	35.45	90	
28.37	27.27	24.765	32.27	80	
YES	25.20	24.10	21.590	29.10	70
	22.02	20.92	18.415	25.92	60
	18.85	17.75	15.240	22.75	50
	15.67	14.57	12.065	19.57	40
	12.50	11.40	8.890	16.40	30
	9.32	8.22	5.715	13.22	20
HS'G LOCK	DIM.D	DIM.C	DIM.B	DIM.A	PIN NO

A5	2017/07/21	Modify	△	OPERATION		DRAW	DATE	SCALE	FIT	PART NO.	3660-PXXX-XXXXXR01	 Http: www.wcon.com
A4	2014/05/07	Modify		x.X	±0.40							
A3	2014/03/07	Modify The Contact Resistance	△	x.XX	±0.25	CHECK	DATE	SIZE	A4	Customer NO.	Fax: +86 769 85358915 E-mail: sales@wcon.com	
A0	2012/11/20	NEW	—	x.XXX	±0.15	APPROVE	DATE	SHEET	2/2			Fax: +86 512 57468468 E-mail: salesks@wcon.com
REV	DATE	MODIFICATION DESCRIPTION	CHANGE	Angle	± 3'			PROJ.				

X-ON Electronics

Largest Supplier of Electrical and Electronic Components

Click to view similar products for [Board to Board & Mezzanine Connectors](#) category:

Click to view products by [Wcon](#) manufacturer:

Other Similar products are found below :

[589158040000018](#) [MDF7C-18P-2.54DSA\(55\)](#) [FCN-268F036-G/BD](#) [FCN-268M012-G/0D](#) [FCN-268M024-G/1D](#) [FCN-723J004/1](#) [MIS-048-01-F-D-DP-K](#) [832-10-034-10-001000](#) [FX4C-80S-1.27DSA](#) [93696-330](#) [224393](#) [FCN-235D050-G/C](#) [210-93-314-41-105000](#) [2-22603-0](#) [MDF7-40DP-2.54DSA\(55\)](#) [5031084030](#) [MIT-114-03-F-D-K](#) [55323-1519](#) [45970-4130](#) [YFT-20-05-H-03-SB-K](#) [503308-3040](#) [026-6203-PDB](#) [027-6203-PDB](#) [069159702701000](#) [101A10019X](#) [105061100000861+](#) [55650-0588-C](#) [75140-7012](#) [87471-650](#) [YTW-30-07-H-Q-410-140](#) [YTT-112-01-H-Q](#) [063209](#) [0717420006](#) [FCN-268F024-G0D](#) [10124054-515LF](#) [68685-603](#) [8-1616154-3](#) [MIS-019-01-F-D](#) [YTQ-11201HQ](#) [IL-WX-10PB-HF-B-E1000E](#) [YFT-50-05-H-10-SB-K](#) [FCN-268M024-G/3D](#) [MDF7-16DP-2.54DSA\(55\)](#) [AXE810124](#) [FCN-214J100-G/0](#) [FCN-230C068-E/S](#) [AXE812124](#) [74220-001](#) [354184](#) [P50-028-DDS-TG](#)