

HSF

Recommended P.C.B Layout (Top Side)
(PCB BOARD TOLERANCE ± 0.05)

NOTES:

- Electrical Performance:
 - Current Rating: 0.5 A at AC 100V.
 - Withstand Voltage: 250V AC.
 - Contact Resistance: See Table.
 - Insulation Resistance: 1000M Ω Min.
 - Operation Temperature: -55°C to +85°C
- Material:
 - Housing: LCP; Black/Natural; UL94V-0.
 - Contact: Phosphor Bronze, T=0.20mm.
 - Fitting Nail: Brass, T=0.25mm.
 - Metal Cap: Stainless Steel, T=0.20mm.
- Finish:
 - Contact: Gold Plating On Contact Area; Matte Tin Plating On Solder Tails Over Ni.
 - Fitting Nail: Sn Plating Over, Ni Under Plating

Flatness: <80 Pins The "M" Is 0.12mm MAX
 ≥80 Pins The "M" Is 0.15mm MAX

Ordering Information

3660-S XXX - 100 XX R 01

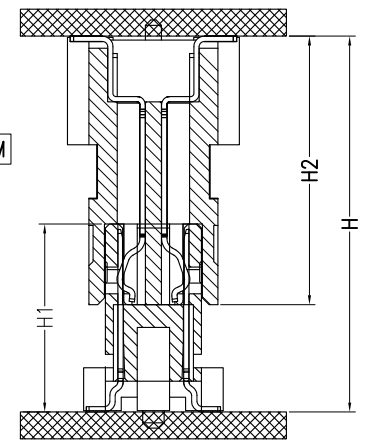
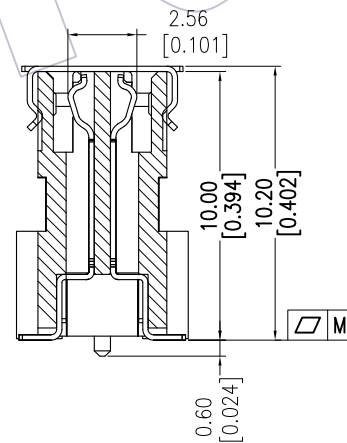
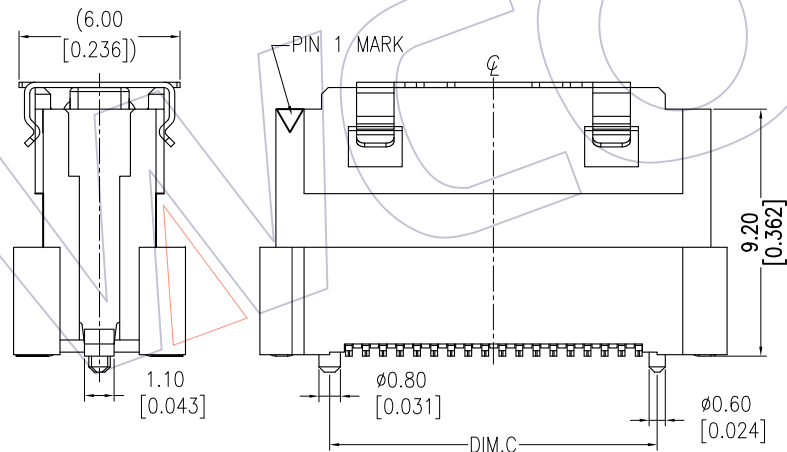
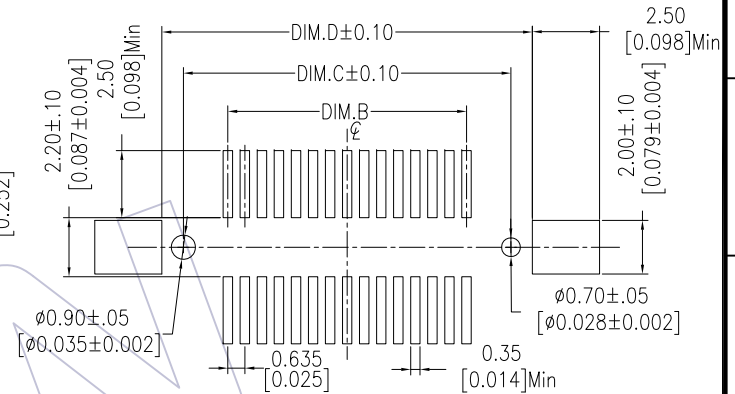
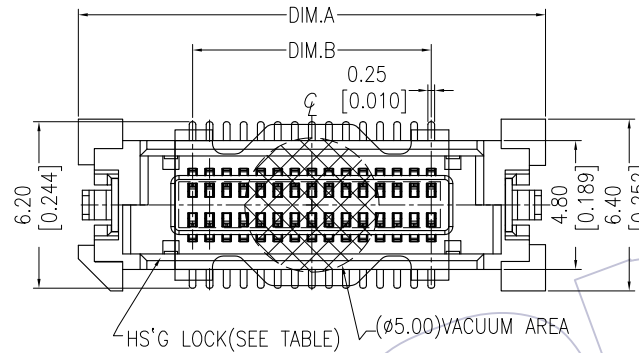
No. of Pins Housing High Contact Plating R=Tape&Reel+CAP

G1=3u"Gold
 G2=5u"Gold
 G3=10u"Gold/Tin
 S1=3u"Gold/Tin
 S2=5u"Gold/Tin
 S3=10u"Gold/Tin


NO	55.07	53.47	50.165	58.67	160
	48.72	47.12	43.815	52.32	140
	42.30	40.77	37.465	45.97	120
	36.02	34.42	31.115	39.62	100
	32.85	31.25	27.940	36.45	90
29.67	28.07	24.765	33.27	80	

YES	26.50	24.90	21.590	30.10	70	ASS'Y HIGH(H)	PLUG(H1)	SOCKET(H2)
	23.32	21.72	18.415	26.92	60			
	20.15	18.55	15.240	23.75	50			
	16.97	15.37	12.065	20.57	40			
	13.80	12.20	8.890	17.40	30			
10.62	9.02	5.715	14.22	20	15.00	8.00	10.00	
HS'G LOCK	DIM.D	DIM.C	DIM.B	DIM.A	PIN NO.	16.00	9.00	

ASS'Y HIGH(H)	Before Test	After Test
12.0~13.0	≤60m Ω	≤80m Ω
14.0~16.0	≤70m Ω	≤90m Ω



Assembly

				OPERATION		DRAW		DATE		SCALE		FIT		PART NO.		 Http: www.wcon.com	
				X.X ±0.40		Ding		2017/07/19		UNIT		mm		3660-SXXX-100XXR01			
				X.XX ±0.25		CHECK		DATE		SIZE		A4		TITLE:		WCON-Dongguan	
				X.XXX ±0.15		APPROVE		DATE		SHEET		1/1		0.635mm BTB "M" FEMALE SMT TYPE		WCON-Kunshan	
A0	2017/07/19	NEW		—		Angle ± 3'				PROJ.		⌀		Customer NO.		Tel: +86 769 85358920	
REV	DATE	MODIFICATION DESCRIPTION		CHANGE		DIM TOL										Tel: +86 512 57468408	
																Fax: +86 769 85358915	
																E-mail: sales@wcon.com	
																E-mail: salesks@wcon.com	

X-ON Electronics

Largest Supplier of Electrical and Electronic Components

Click to view similar products for [Board to Board & Mezzanine Connectors](#) category:

Click to view products by [Wcon](#) manufacturer:

Other Similar products are found below :

[589158040000018](#) [MDF7C-18P-2.54DSA\(55\)](#) [FCN-268F036-G/BD](#) [FCN-268M012-G/0D](#) [FCN-268M024-G/1D](#) [FCN-723J004/1](#) [MIS-048-01-F-D-DP-K](#) [832-10-034-10-001000](#) [FX4C-80S-1.27DSA](#) [93696-330](#) [224393](#) [FCN-235D050-G/C](#) [210-93-314-41-105000](#) [2-22603-0](#) [MDF7-40DP-2.54DSA\(55\)](#) [5031084030](#) [MIT-114-03-F-D-K](#) [55323-1519](#) [45970-4130](#) [YFT-20-05-H-03-SB-K](#) [503308-3040](#) [026-6203-PDB](#) [027-6203-PDB](#) [069159702701000](#) [101A10019X](#) [105061100000861+](#) [55650-0588-C](#) [75140-7012](#) [87471-650](#) [YTW-30-07-H-Q-410-140](#) [YTT-112-01-H-Q](#) [063209](#) [0717420006](#) [FCN-268F024-G0D](#) [10124054-515LF](#) [68685-603](#) [8-1616154-3](#) [MIS-019-01-F-D](#) [YTQ-11201HQ](#) [IL-WX-10PB-HF-B-E1000E](#) [YFT-50-05-H-10-SB-K](#) [FCN-268M024-G/3D](#) [MDF7-16DP-2.54DSA\(55\)](#) [AXE810124](#) [FCN-214J100-G/0](#) [FCN-230C068-E/S](#) [AXE812124](#) [74220-001](#) [354184](#) [P50-028-DDS-TG](#)