

HSF

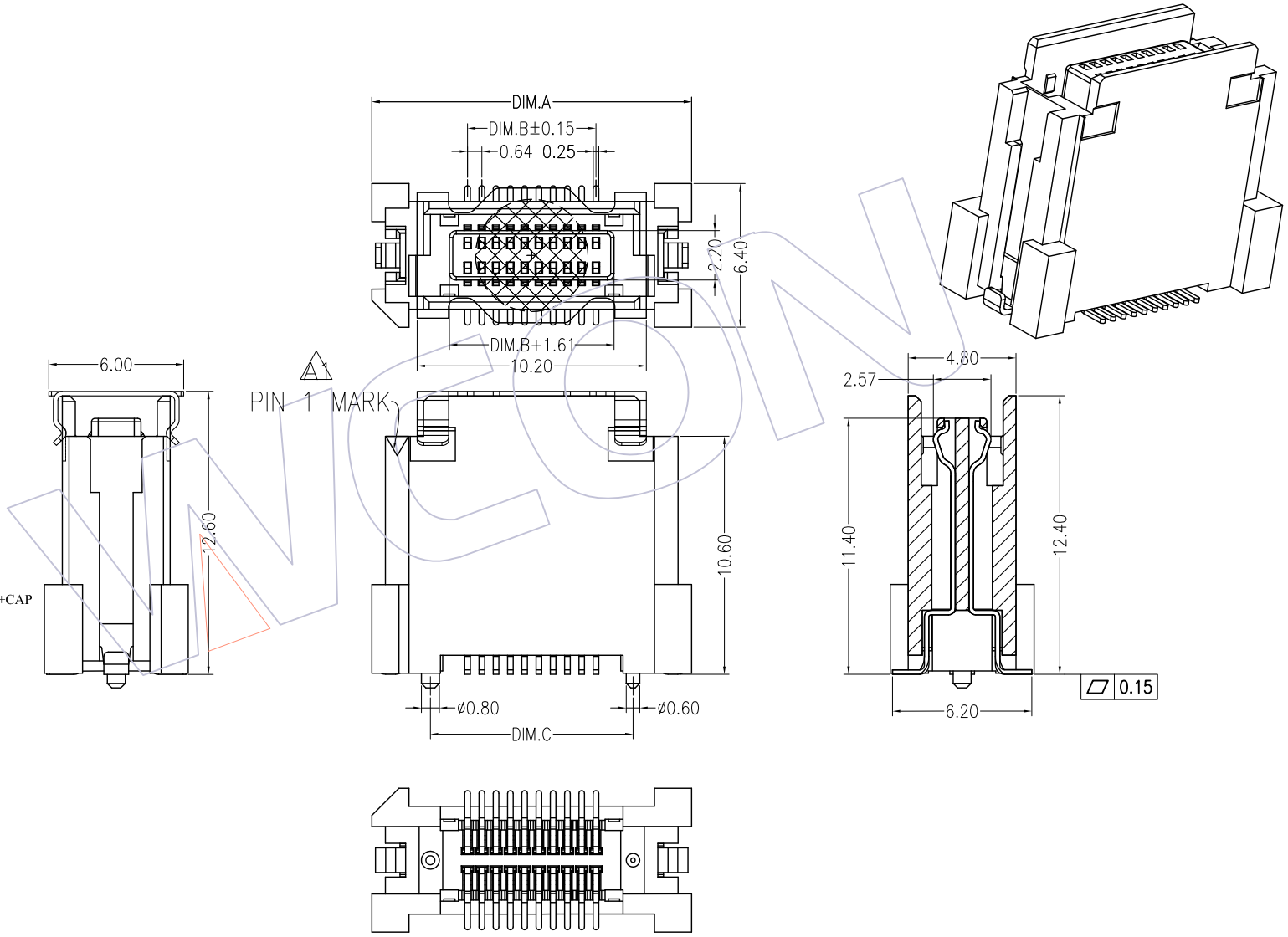
NOTES:

- 1.Electrical Performance:
- 1-1.Current Rating:0.5 A at AC 100V.
- 1-2.Withstand Voltage:250V AC.
- 1-3.Contact Resistance:See Table.
- 1-4.Insulation Resistance:1000MΩ Min.
- 1-5.Operation Temperature:-55°Cto+85°C
- 2.Material:
- 1.Housing:LCP;Black/Natural;UL94V-0.
- 2-2.Contact:Phosphor Bronze,T=0.20mm.
- 2-3.Fitting Nail:Brass,T=0.25mm.
- 2-4.Metal Cap :Stainless Steel,T=0.20mm.
- 3.Finish:
- 3-1.Contact:Gold Plating On Contact Area;
Matte Tin Plating On Solder Tails Over Ni.
- 3-2.Fitting Nail:Sn Plating Over, Ni Under Plating

Ordering Information

3660-S XXX - 124 XX R 0X

| | | | |
|------------|--------------|-----------------|-----------------|
| No.of Pins | Housing High | Contact Plating | R=Tape&Reel+CAP |
| | | G1=3u"Gold | |
| | | G2=5u"Gold | |
| | | G3=10u"Gold/Tin | |
| | | S1=3u"Gold/Tin | |
| | | S2=5u"Gold/Tin | |
| | | S3=10u"Gold/Tin | |



| REV | DATE | MODIFICATION DESCRIPTION | CHANGE | OPERATION | | DRAW | DATE | SCALE | FIT | PART NO. |
|-----|------------|--------------------------|--------|-----------|-------|---------|------|-------|--------------|------------------------|
| | | | | X.X | ±0.40 | | | | | |
| A1 | 2017.03.22 | ADD PIN 1 MARK | △ | X.XX | ±0.25 | CHECK | DATE | SIZE | A4 | TITLE: |
| A0 | 2015.10.21 | NEW | — | X.XXX | ±0.15 | APPROVE | DATE | SHEET | 1/2 | 0.635mm BTB "M" FEMALE |
| | | | | Angle | ± 3' | | | PROJ. | Customer NO. | SMT TYPE |
| | | | | DIM | TOL | | | | | |

WCON
Http: www.wcon.com

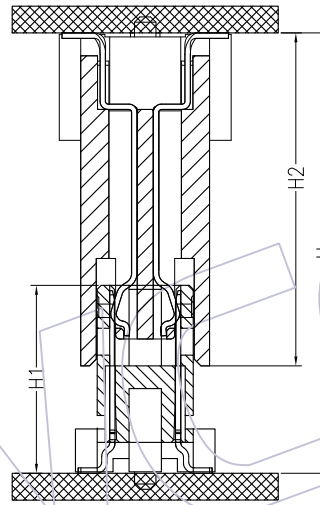
| | |
|---|--|
| WCON-Dongguan Tel: +86 769 85358920 Fax: +86 769 85358915 E-mail: sales@wcon.com | WCON-Kunshan Tel: +86 512 57468408 Fax: +86 512 57468468 E-mail: salesks@wcon.com |
|---|--|

HSF

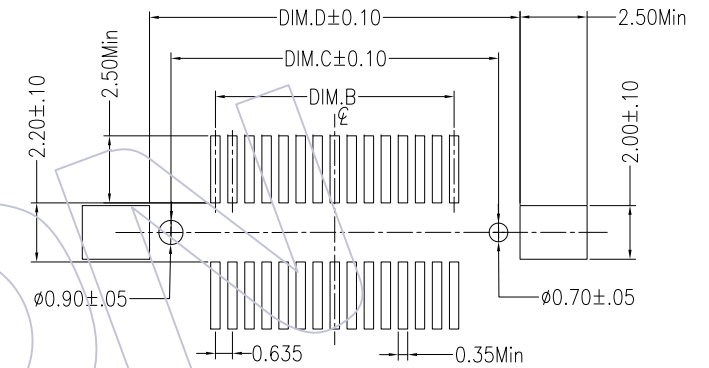
NOTES:

- 1.Electrical Performance:
 - 1-1.Current Rating:0.5 A at AC 100V.
 - 1-2.Withstand Voltage:250V AC.
 - 1-3.Contact Resistance:See Table.
 - 1-4.Insulation Resistance:1000MΩ Min.
 - 1-5.Operation Temperature:-55°Cto+85°C
- 2.Material:
 - 1.Housing:LCP;Black/Natural;UL94V-0.
 - 2-2.Contact:Phosphor Bronze,T=0.20mm.
 - 2-3.Fitting Nail:Brass,T=0.25mm.
 - 2-4.Metal Cap :Stainless Steel,T=0.20mm.
- 3.Finish:
 - 3-1.Contact:Gold Plating On Contact Area;
Matte Tin Plating On Solder Tails Over Ni.
 - 3-2.Fitting Nail:Sn Plating Over, Ni Under Plating

Recommended P.C.B Layout(Top Side)
(PCB BOARD TOLERANCE±0.05)



Assembly



Ordering Information

3660-S XXX - 124 XX R 0X

No.of Pins Housing High Contact Plating R=Tape&Reel+CAP

G1=3u"Gold
G2=5u"Gold
G3=10u"Gold/Tin
S1=3u"Gold/Tin
S2=5u"Gold/Tin
S3=10u"Gold/Tin

| ASS'Y HIGH(H) | Before Test | After Test |
|---------------|-------------|------------|
| 13.40 | ≤70mΩ | ≤90mΩ |
| 14.40 | | |
| 15.40 | | |
| 16.40 | ≤80mΩ | ≤100mΩ |
| 17.40 | | |

| ASS'Y HIGH(H) | PLUG(H1) | SOCKET(H2) |
|---------------|----------|------------|
| 13.40 | 5.00 | 12.40 |
| 14.40 | 6.00 | |
| 15.40 | 7.00 | |
| 16.40 | 8.00 | |
| 17.40 | 9.00 | |

| NO | 55.07 | 53.47 | 50.165 | 58.67 | 160 |
|-----------|-------|-------|--------|--------|---------|
| | | 48.72 | 47.12 | 43.815 | 52.32 |
| | 42.30 | 40.77 | 37.465 | 45.97 | 120 |
| | 36.02 | 34.42 | 31.115 | 39.62 | 100 |
| | 32.85 | 31.25 | 27.940 | 36.45 | 90 |
| | 29.67 | 28.07 | 24.765 | 33.27 | 80 |
| YES | 26.50 | 24.90 | 21.590 | 30.10 | 70 |
| | 23.32 | 21.72 | 18.415 | 26.92 | 60 |
| | 20.15 | 18.55 | 15.240 | 23.75 | 50 |
| | 16.97 | 15.37 | 12.065 | 20.57 | 40 |
| | 13.80 | 12.20 | 8.890 | 17.40 | 30 |
| | 10.62 | 9.02 | 5.715 | 14.22 | 20 |
| HS'G LOCK | DIM.D | DIM.C | DIM.B | DIM.A | PIN NO. |

| REV | DATE | MODIFICATION DESCRIPTION | CHANGE | OPERATION | | DRAW Ding | DATE 2017.03.22 | SCALE UNIT | FIT mm inch | PART NO. 3660-SXXX-124XXR0X |
|-----|------------|--------------------------|--------|-----------|-------|--------------|--------------------|---------------|-------------------|----------------------------------|
| | | | | X.X | ±0.40 | | | | | |
| A1 | 2017.03.22 | ADD PIN 1 MARK | △ | X.XX | ±0.25 | CHECK | DATE | SIZE | A4 | TITLE: 0.635mm BTB "M" FEMALE |
| A0 | 2015.10.21 | NEW | — | X.XXX | ±0.15 | APPROVE | DATE | SHEET | 2/2 | SMT TYPE |
| | | | | Angle | ± 3' | | | PROJ. | ⊕ | Customer NO. |

WCON

Http: www.wcon.com

WCON-Dongguan WCON-Kunshan
Tel: +86 769 85358920 Tel: +86 512 57468408
Fax: +86 769 85358915 Fax: +86 512 57468468
E-mail: sales@wcon.com E-mail: salesks@wcon.com

X-ON Electronics

Largest Supplier of Electrical and Electronic Components

Click to view similar products for [Board to Board & Mezzanine Connectors](#) category:

Click to view products by [Wcon](#) manufacturer:

Other Similar products are found below :

[589158040000018](#) [MDF7C-18P-2.54DSA\(55\)](#) [FCN-268F036-G/BD](#) [FCN-268M012-G/0D](#) [FCN-268M024-G/1D](#) [FCN-723J004/1](#) [MIS-048-01-F-D-DP-K](#) [832-10-034-10-001000](#) [FX4C-80S-1.27DSA](#) [93696-330](#) [224393](#) [FCN-235D050-G/C](#) [210-93-314-41-105000](#) [2-22603-0](#) [MDF7-40DP-2.54DSA\(55\)](#) [5031084030](#) [MIT-114-03-F-D-K](#) [55323-1519](#) [45970-4130](#) [YFT-20-05-H-03-SB-K](#) [503308-3040](#) [026-6203-PDB](#) [027-6203-PDB](#) [069159702701000](#) [101A10019X](#) [105061100000861+](#) [55650-0588-C](#) [75140-7012](#) [87471-650](#) [YTW-30-07-H-Q-410-140](#) [YTT-112-01-H-Q](#) [063209](#) [0717420006](#) [FCN-268F024-G0D](#) [10124054-515LF](#) [68685-603](#) [8-1616154-3](#) [MIS-019-01-F-D](#) [YTQ-11201HQ](#) [IL-WX-10PB-HF-B-E1000E](#) [YFT-50-05-H-10-SB-K](#) [FCN-268M024-G/3D](#) [MDF7-16DP-2.54DSA\(55\)](#) [AXE810124](#) [FCN-214J100-G/0](#) [FCN-230C068-E/S](#) [AXE812124](#) [74220-001](#) [354184](#) [P50-028-DDS-TG](#)