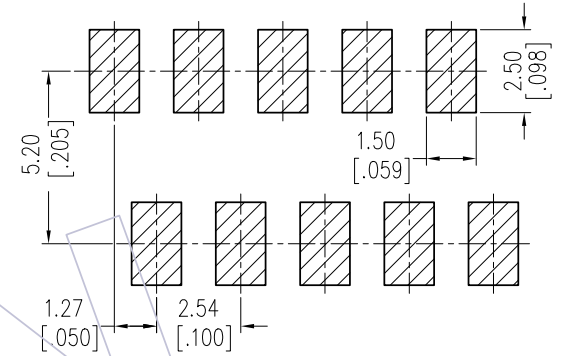
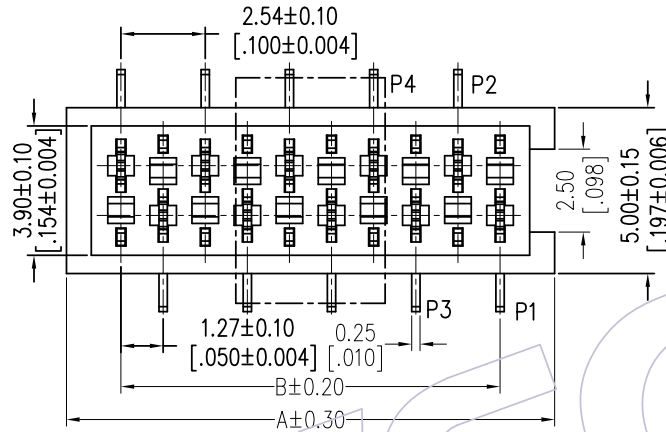


HSF

Recommended P.C.B Layout(Top Side)
(PCB BOARD TOLERANCE±0.05)

NOTES:
Current Rating: 1.0AMP
Contact Resistance: 20mΩ Max
Withstand Voltage: 500V AC/DC
Insulation Resistance: 1000MΩ Min
Operation Temperature: -40℃ to +105℃

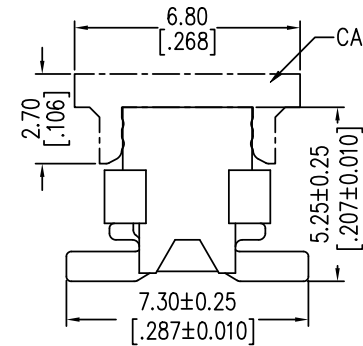
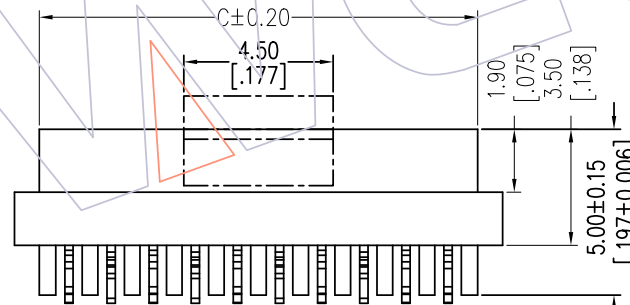
Contact Material: Phosphor Bronze
Contact plating: Sn Over Ni
Insulator Material: PA46+30%G.F UL94V-0



Ordering Information

3900-XX FM SN E N T 01

No. of Pins	Contact Plating	Insulator Material	Packing
04P 12P 06P 14P 08P 16P 10P 18P 20P	SN=Tin	E=PA46	T=Tube P=Tube+CAP R=Tape&Reel+CAP



Circuit	Part No.	Dimension			Q'ty /Tube
		A	B	C	
04	3900-04FMSNENX01	7.00	3.81	5.60	82
06	3900-06FMSNENX01	9.54	6.35	8.14	60
08	3900-08FMSNENX01	12.08	8.89	10.68	48
10	3900-10FMSNENX01	14.62	11.43	13.22	39
12	3900-12FMSNENX01	17.16	13.97	15.76	33
14	3900-14FMSNENX01	19.70	16.51	18.30	29
16	3900-16FMSNENX01	22.24	19.05	20.84	26
18	3900-18FMSNENX01	24.78	21.59	23.38	23
20	3900-20FMSNENX01	27.32	24.13	25.92	21

REV	DATE	MODIFICATION DESCRIPTION	CHANGE	OPERATION	DRAW	DATE	SCALE	FIT	PART NO.
A2	2018/05/15	MINI MATCH--1.27mm MRC Connector	△A	x.x ±0.40	Ding	2018/05/15	UNIT	mm	SEE TAB
A1	2014/05/28	MICRO MATCH--MINI MATCH	△A	x.xx ±0.25	CHECK	DATE	SIZE	A4	TITLE:
A0	2012/10/11	NEW	-----	x.xxx ±0.15	APPROVE	DATE	SHEET	1/1	1.27mm MRC Connector Socket
				Angle ± 3'			PROJ.	Customer NO.	180° SMT Without Latch
				DIM TOL					

WCON
Http: www.wcon.com

WCON-Dongguan Tel: +86 769 85358920 Fax: +86 769 85358915 E-mail: sales@wcon.com	WCON-Kunshan Tel: +86 512 57468408 Fax: +86 512 57468468 E-mail: salesks@wcon.com
-------------------------------------------------------------------------------------------	--------------------------------------------------------------------------------------------

X-ON Electronics

Largest Supplier of Electrical and Electronic Components

Click to view similar products for [Headers & Wire Housings](#) category:

Click to view products by [Wcon](#) manufacturer:

Other Similar products are found below :

[95000-104TRLF](#) [10135584-644402LF](#) [DF62W-EP2022PCA](#) [95000-106TRLF](#) [DF62W-2022SCA](#) [DF62W-EP2022PC](#) [2203348](#) [DF62W-2022SC](#) [1084018](#) [1029039](#) [1084017](#) [802-10-012-10-002000](#) [1112640](#) [1112639](#) [891-007-9SS-BST1T](#) [000-34000](#) [0008550134](#) [0009482033](#) [0009507031](#) [57102-F02-18ULF](#) [57102-S06-03LF](#) [57202-S52-04LF](#) [PCN6-15S-2.5E](#) [0039019024](#) [58102-G61-06LF](#) [582553-1](#) [0009485154](#) [0009508121](#) [0022285053](#) [0050291907](#) [018731A](#) [LY20-4P-DT1-P1E-BR](#) [02.125.8002.8](#) [60101931](#) [60598-1 \(Cut Strip\)](#) [M1625-3R/100](#) [61062-3](#) [61082-181009](#) [CSU011177004](#) [636-1427](#) [638009-1](#) [641938-9](#) [641991-4](#) [644168-1](#) [644827-2](#) [647662-1](#) [65039-019ELF](#) [65692-001LF](#) [65781-018](#) [65781-047](#)